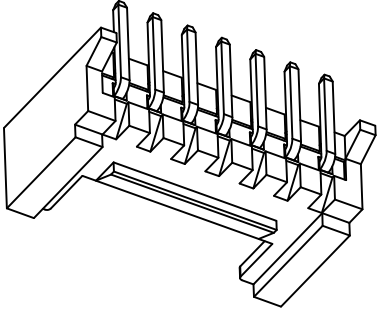
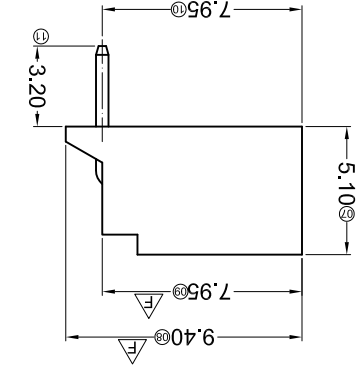
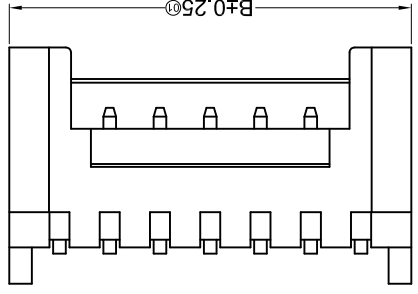
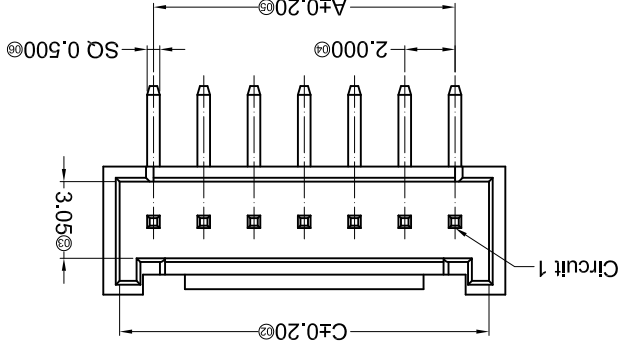
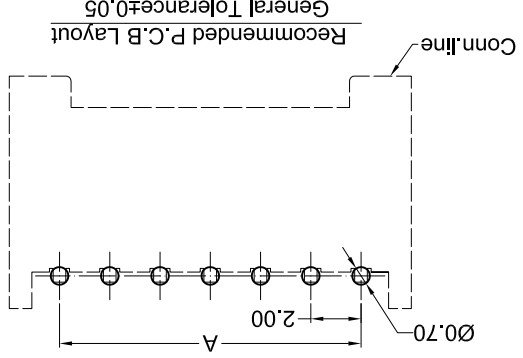


For and on behalf of
XKB INDUSTRIAL PRECISION CO., LIMITED
 香港星坤工業精密有限公司

| MARK | DESCRIPTION | DATE | REVISIONS | UNSPECIFIED TOLERANCES |
|------|-------------|------|-----------|------------------------|
| △ X | | | | L > 63 |
| △ X | | | | 16 < L ≤ 63 |
| △ X | | | | 4 < L ≤ 16 |
| △ X | | | | L ≤ 4 |
| | | | | ANGULAR |
| | | | | ± 5° |



| Poles | Dimensions (mm) | | | Poles | Dimensions (mm) | | |
|-------|-----------------|-------|-------|-------|-----------------|-------|-------|
| | A | B | C | | A | B | C |
| 02 | 2.00 | 6.00 | 4.70 | 10 | 18.00 | 22.00 | 20.70 |
| 03 | 4.00 | 8.00 | 6.70 | 11 | 20.00 | 24.00 | 22.70 |
| 04 | 6.00 | 10.00 | 8.70 | 12 | 22.00 | 26.00 | 24.70 |
| 05 | 8.00 | 12.00 | 10.70 | 13 | 24.00 | 28.00 | 26.70 |
| 06 | 10.00 | 14.00 | 12.70 | 14 | 26.00 | 30.00 | 28.70 |
| 07 | 12.00 | 16.00 | 14.70 | 15 | 28.00 | 32.00 | 30.70 |
| 08 | 14.00 | 18.00 | 16.70 | 16 | 30.00 | 34.00 | 32.70 |
| 09 | 16.00 | 20.00 | 18.70 | | | | |

- ① Series No.
- ② Category: W-WAFER
- ③ Welding Board Angle: R-Right Angle 90°
- ④ Welding Way: Blank-DIP
- ⑤ Row No.-Pin No.: XX-02P~16P
- ⑥ Plug the Pin & Special No.:
- ⑦ A-With Link Stopper DIP-3.20mm
- ⑧ HF-Halogen Free
- ⑨ Material: NO -PA66 UL 94V-0
- ⑩ Plating Category: SN-Bright Tin Plating
- ⑪ Color : Blank-Natural Color

- Specifications :
- Voltage rating: 250V AC / DC
 - Current rating: 3A AC / DC
 - Withstanding voltage: 1000V AC/minute
 - Temperature range: -25°C~+85°C
 - Insulation resistance: ≥1000MΩ
 - Contact resistance: ≤30mΩ
 - After environmental testing : ≤40mΩ

X2011 W R X-XX A HF-N0 SN XX
 ① ② ③ ④ ⑤ ⑥ ⑦ ⑧ ⑨ ⑩

| PART NO | Material | Material(Fin) | Finish(Fin) | Suitable XKB Terminal |
|--------------------|-----------------------------|---------------|-------------|-----------------------|
| X2011WR-XXAHF-N0SN | PA 66 UL 94V-0 Halogen Free | Brass | Tin-Plated | X2011H |
| X2011WR-XXA-N0SN | PA 66 UL 94V-0 | | | |

| DSND | DATE | SCALE: N/A | MODEL TYPE: X2011WR-XXA-N0SN |
|------|--|------------|------------------------------|
| APPD | DATE <td>SIZE: A4</td> <td></td> | SIZE: A4 | |
| CHKD | DATE <td>UNIT: mm</td> <td>DWG NO.:</td> | UNIT: mm | DWG NO.: |
| DWN | DATE <td>VIEW: </td> <td>PART NO.:</td> | VIEW: | PART NO.: |
| | | | 2.00mm Crimp Style Connector |
| | | | WEIGHT 1.0g |
| | | | SHEET 1/1 |
| | | | REVISION A0 |

XKB INDUSTRIAL PRECISION CO., LIMITED

X-ON Electronics

Largest Supplier of Electrical and Electronic Components

Click to view similar products for [Headers & Wire Housings](#) category:

Click to view products by [XKB](#) manufacturer:

Other Similar products are found below :

[95000-104TRLF](#) [10135584-644402LF](#) [DF62W-EP2022PCA](#) [95000-106TRLF](#) [DF62W-2022SCA](#) [DF62W-EP2022PC](#) [2203348](#) [DF62W-2022SC](#) [1084018](#) [1029039](#) [1084017](#) [802-10-012-10-002000](#) [1112640](#) [1112639](#) [891-007-9SS-BST1T](#) [000-34000](#) [0008550134](#) [0009482033](#) [0009507031](#) [57102-F02-18ULF](#) [57102-S06-03LF](#) [57202-S52-04LF](#) [PCN6-15S-2.5E](#) [0039019024](#) [58102-G61-06LF](#) [582553-1](#) [0009485154](#) [0009508121](#) [0022285053](#) [0050291907](#) [018731A](#) [LY20-4P-DT1-P1E-BR](#) [02.125.8002.8](#) [60101931](#) [60598-1 \(Cut Strip\)](#) [M1625-3R/100](#) [61062-3](#) [61082-181009](#) [CSU011177004](#) [636-1427](#) [638009-1](#) [641938-9](#) [641991-4](#) [644168-1](#) [644827-2](#) [647662-1](#) [65039-019ELF](#) [65692-001LF](#) [65781-018](#) [65781-047](#)