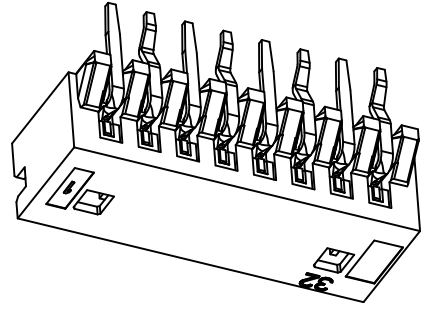
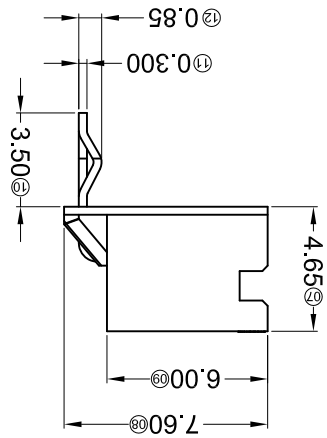
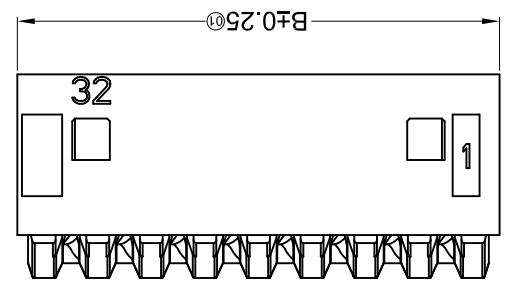
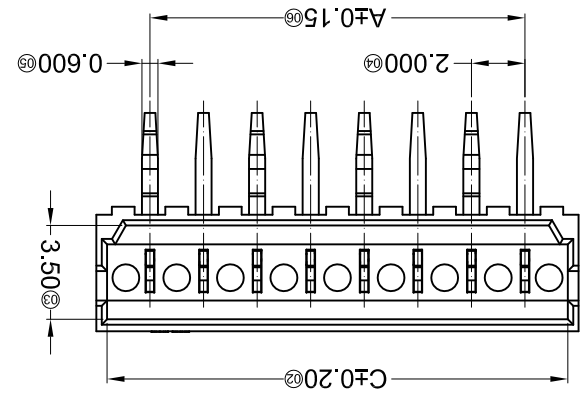
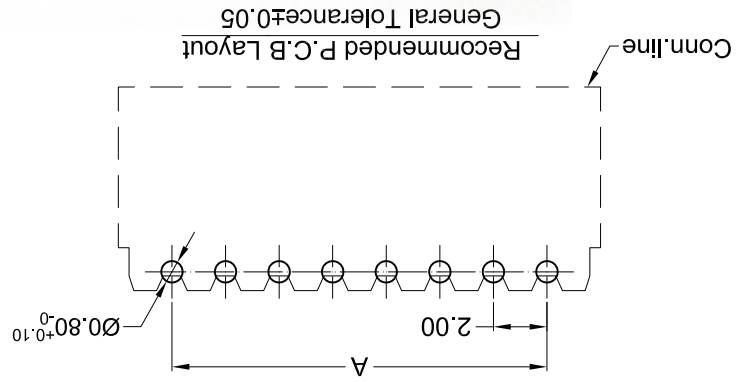


| REVISIONS |   | APPROVED |  | REVISED |  | DATE |  | DESCRIPTION |  | MARK |  |
|-----------|---|----------|--|---------|--|------|--|-------------|--|------|--|
| △         | X |          |  |         |  |      |  |             |  |      |  |
| △         | X |          |  |         |  |      |  |             |  |      |  |
| △         | X |          |  |         |  |      |  |             |  |      |  |

KXB INDUSTRIAL PRECISION CO., LIMITED  
香港星坤工業精密有限公司  
For and on behalf of

|                        |      |             |      |
|------------------------|------|-------------|------|
| UNSPECIFIED TOLERANCES | ±0.5 | L > 63      | ±0.5 |
|                        | ±0.4 | 16 < L ≤ 63 | ±0.4 |
|                        | ±0.3 | 4 < L ≤ 16  | ±0.3 |
|                        | ±0.2 | L ≤ 4       | ±0.2 |
|                        | ±5°  | ANGULAR     | ±5°  |

|      |            |                             |
|------|------------|-----------------------------|
| DATE | SCALE: N/A | MODEL TYPE: X2012WR-XX-N0SN |
| DATE | VIEW:      | PART NO.:                   |
| DATE | UNIT: mm   | DWG NO.:                    |
| DATE | SIZE: A4   | REVISION                    |
| DATE | WEIGHT     | SHEET                       |
| DATE | 1.0g       | 1/1                         |
| DATE | 8          | AO                          |



| PART NO         | Material       | Material(Pln) | Finish(Pln) | Suitable XKB Terminal |
|-----------------|----------------|---------------|-------------|-----------------------|
| X2012WR-XX-N0SN | PA 66 UL 94V-0 | Brass         | Tin-Plated  | X2012H                |

| Poles | Dimensions (mm) |       |       |
|-------|-----------------|-------|-------|
|       | A               | B     | C     |
| 02    | 2.00            | 6.00  | 5.20  |
| 03    | 4.00            | 8.00  | 7.20  |
| 04    | 6.00            | 10.00 | 9.20  |
| 05    | 8.00            | 12.00 | 11.20 |
| 06    | 10.00           | 14.00 | 13.20 |
| 07    | 12.00           | 16.00 | 15.20 |
| 08    | 14.00           | 18.00 | 17.20 |

- ① Series No. X2012 W R X-XX X-N0 SN XX
- ② Category: W-WAFER
- ③ Welding Board Angle: R-Right Angle 90°
- ④ Welding Way: Blank-DIP
- ⑤ Row No.-Pin No.: XX-02P~15P
- ⑥ Plug the Pin & Special No.:
- ⑦ Material: NO -PA66 UL 94V-0
- ⑧ Plating Category: SN-Bright Tin Plating
- ⑨ Color: Blank-Natural Color

- Specifications :
- Voltage rating: 250V AC / DC
  - Current rating: 2A AC / DC
  - Withstanding voltage: 1000V AC/minute
  - Temperature range: -25°C~+85°C
  - Insulation resistance: ≥1000MΩ
  - Contact resistance: ≤20mΩ
  - After environmental testing: ≤30mΩ

## X-ON Electronics

Largest Supplier of Electrical and Electronic Components

*Click to view similar products for [Headers & Wire Housings](#) category:*

*Click to view products by [XKB](#) manufacturer:*

Other Similar products are found below :

[95000-104TRLF](#) [10135584-644402LF](#) [DF62W-EP2022PCA](#) [95000-106TRLF](#) [DF62W-2022SCA](#) [DF62W-EP2022PC](#) [2203348](#) [DF62W-2022SC](#) [1084018](#) [1029039](#) [1084017](#) [802-10-012-10-002000](#) [1112640](#) [1112639](#) [891-007-9SS-BST1T](#) [000-34000](#) [0008550134](#) [0009482033](#) [0009507031](#) [57102-F02-18ULF](#) [57102-S06-03LF](#) [57202-S52-04LF](#) [PCN6-15S-2.5E](#) [0039019024](#) [58102-G61-06LF](#) [582553-1](#) [0009485154](#) [0009508121](#) [0022285053](#) [0050291907](#) [018731A](#) [LY20-4P-DT1-P1E-BR](#) [02.125.8002.8](#) [60101931](#) [60598-1 \(Cut Strip\)](#) [M1625-3R/100](#) [61062-3](#) [61082-181009](#) [CSU011177004](#) [636-1427](#) [638009-1](#) [641938-9](#) [641991-4](#) [644168-1](#) [644827-2](#) [647662-1](#) [65039-019ELF](#) [65692-001LF](#) [65781-018](#) [65781-047](#)