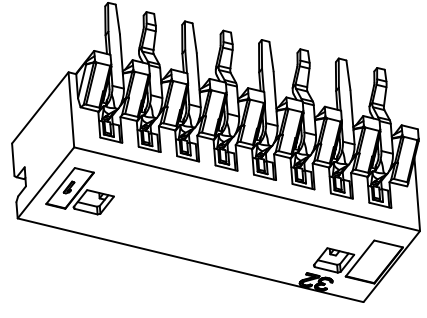
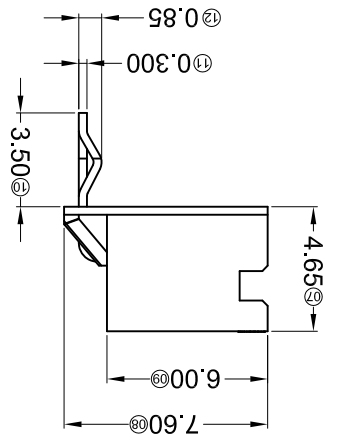
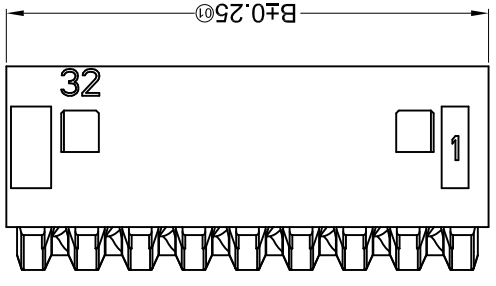
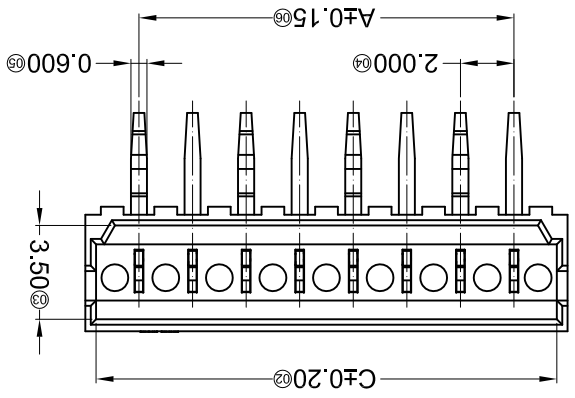
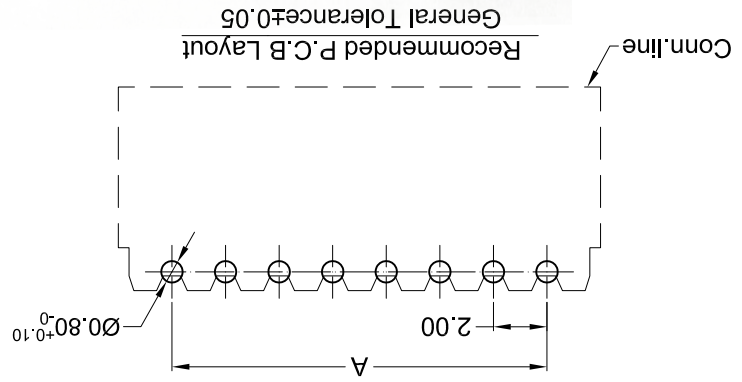


| REVISIONS | | APPROVED | | REVISED | | DATE | | DESCRIPTION | | MARK |
|---|---|----------|--|---------|--|------|--|-------------|--|------|
| <i>For and on behalf of</i> KXB INDUSTRIAL PRECISION CO., LIMITED 香港星坤工業精密有限公司 | | | | | | | | | | |
| △ | X | | | | | | | | | |
| △ | X | | | | | | | | | |
| △ | X | | | | | | | | | |

| | | | |
|------------------------|------|-------------|------|
| UNSPECIFIED TOLERANCES | ±0.5 | L > 63 | ±0.5 |
| | ±0.4 | 16 < L ≤ 63 | ±0.4 |
| | ±0.3 | 4 < L ≤ 16 | ±0.3 |
| | ±0.2 | L ≤ 4 | ±0.2 |
| | ±5° | ANGULAR | ±5° |

| | | | |
|------------------------------|------------|-------|--|
| MODEL TYPE: | SCALE: N/A | DATE: | |
| X2012WR-XX-N0SN | | DATE: | |
| PART NO.: | VIEW: | DATE: | |
| 2.00mm Crimp Style Connector | | DATE: | |
| DWG NO.: | UNIT: mm | DATE: | |
| | SIZE: A4 | DATE: | |

| | | | |
|----------|-------|--------|------|
| REVISION | SHEET | WEIGHT | 1.0g |
| A0 | 1/1 | | |



| Poles | Dimensions (mm) | | |
|-------|-----------------|-------|-------|
| | A | B | C |
| 02 | 2.00 | 6.00 | 5.20 |
| 03 | 4.00 | 8.00 | 7.20 |
| 04 | 6.00 | 10.00 | 9.20 |
| 05 | 8.00 | 12.00 | 11.20 |
| 06 | 10.00 | 14.00 | 13.20 |
| 07 | 12.00 | 16.00 | 15.20 |
| 08 | 14.00 | 18.00 | 17.20 |

| | | | | |
|-----------------|----------------|---------------|-------------|-----------------------|
| PART NO | Material | Material(Pln) | Finish(Pln) | Suitable XKB Terminal |
| X2012WR-XX-N0SN | PA 66 UL 94V-0 | Brass | Tin-Plated | X2012H |

- ① Series No. X2012 W R X-XX X-N0 SN XX
- ② Category: W-WAFER
- ③ Welding Board Angle: R-Right Angle 90°
- ④ Welding Way: Blank-DIP
- ⑤ Row No.-Pin No.: XX-02P~15P
- ⑥ Plug the Pin & Special No.:
- ⑦ Material: NO -PA66 UL 94V-0
- ⑧ Plating Category: SN-Bright Tin Plating
- ⑨ Color: Blank-Natural Color

- Specifications :
- Voltage rating: 250V AC / DC
 - Current rating: 2A AC / DC
 - Withstanding voltage: 1000V AC/minute
 - Temperature range: -25°C~+85°C
 - Insulation resistance: ≥1000MΩ
 - Contact resistance: ≤20mΩ
 - After environmental testing: ≤30mΩ

X-ON Electronics

Largest Supplier of Electrical and Electronic Components

Click to view similar products for [Headers & Wire Housings](#) category:

Click to view products by [XKB](#) manufacturer:

Other Similar products are found below :

[95000-104TRLF](#) [10135584-644402LF](#) [DF62W-EP2022PCA](#) [95000-106TRLF](#) [DF62W-2022SCA](#) [DF62W-EP2022PC](#) [2203348](#) [DF62W-2022SC](#) [1084018](#) [1029039](#) [1084017](#) [802-10-012-10-002000](#) [1112640](#) [1112639](#) [891-007-9SS-BST1T](#) [000-34000](#) [0008550134](#) [0009482033](#) [0009507031](#) [57102-F02-18ULF](#) [57102-S06-03LF](#) [57202-S52-04LF](#) [PCN6-15S-2.5E](#) [0039019024](#) [58102-G61-06LF](#) [582553-1](#) [0009485154](#) [0009508121](#) [0022285053](#) [0050291907](#) [018731A](#) [LY20-4P-DT1-P1E-BR](#) [02.125.8002.8](#) [60101931](#) [60598-1 \(Cut Strip\)](#) [M1625-3R/100](#) [61062-3](#) [61082-181009](#) [CSU011177004](#) [636-1427](#) [638009-1](#) [641938-9](#) [641991-4](#) [644168-1](#) [644827-2](#) [647662-1](#) [65039-019ELF](#) [65692-001LF](#) [65781-018](#) [65781-047](#)