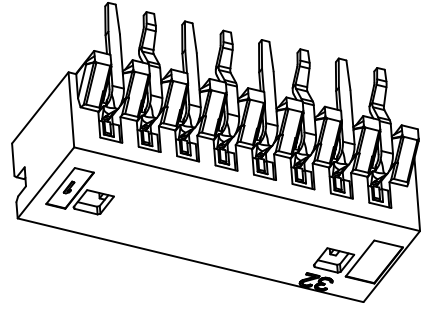
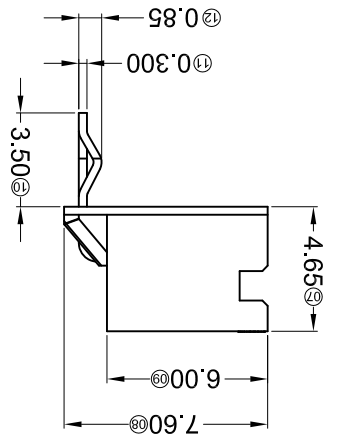
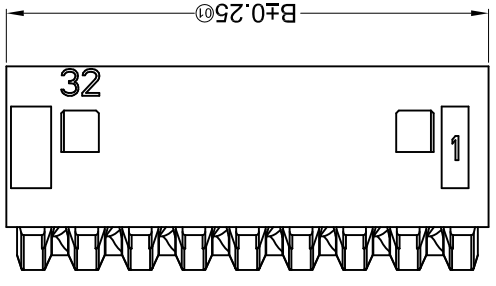
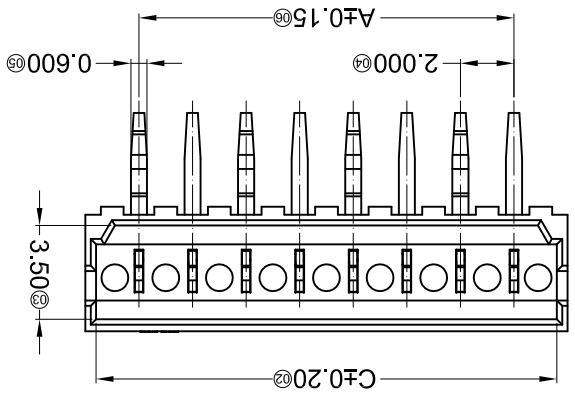
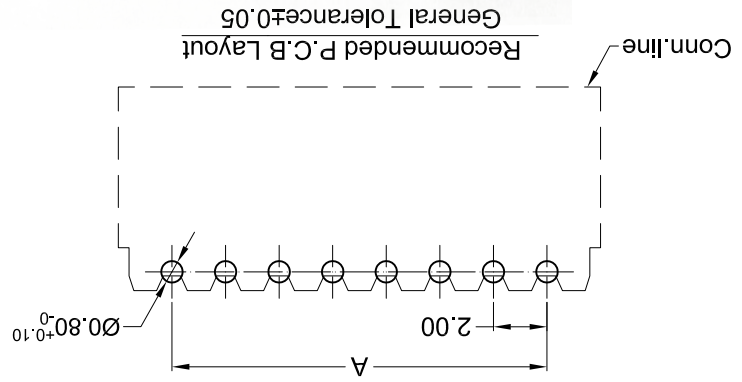


REVISIONS		APPROVED		REVISED		DATE		DESCRIPTION		MARK
<i>For and on behalf of</i> XKB INDUSTRIAL PRECISION CO., LIMITED 香港星坤工業精密有限公司										
△	X									
△	X									
△	X									

UNSPECIFIED TOLERANCES	XKB INDUSTRIAL PRECISION CO., LIMITED	
±0.5	L > 63	WEIGHT 1.0g
±0.4	16 < L ≤ 63	SHEET 1/1
±0.3	4 < L ≤ 16	REVISION A0
±0.2	L ≤ 4	
±5°	ANGULAR	

DSND	DATE	SCALE: N/A	MODEL TYPE: X2012WR-XX-N0SN
DWN	DATE	VIEW:	PART NO.:
CHKD	DATE	UNIT: mm	2.00mm Crimp Style Connector
APPD	DATE	SIZE: A4	DWG NO.:



PART NO	Material	Material(Pln)	Finish(Pln)	Suitable XKB Terminal
X2012WR-XX-N0SN	PA 66 UL 94V-0	Brass	Tin-Plated	X2012H

Poles	Dimensions (mm)		
	A	B	C
02	2.00	6.00	5.20
03	4.00	8.00	7.20
04	6.00	10.00	9.20
05	8.00	12.00	11.20
06	10.00	14.00	13.20
07	12.00	16.00	15.20
08	14.00	18.00	17.20

- ① Series No. X2012 W R X-XX X-N0 SN XX
- ② Category: W-WAFER
- ③ Welding Board Angle: R-Right Angle 90°
- ④ Welding Way: Blank-DIP
- ⑤ Row No.-Pin No.: XX-02P~15P
- ⑥ Plug the Pin & Special No.:
- ⑦ Material: NO -PA66 UL 94V-0
- ⑧ Plating Category: SN-Bright Tin Plating
- ⑨ Color: Blank-Natural Color

- Specifications :
- Voltage rating: 250V AC / DC
 - Current rating: 2A AC / DC
 - Withstanding voltage: 1000V AC/minute
 - Temperature range: -25°C~+85°C
 - Insulation resistance: ≥1000MΩ
 - Contact resistance: ≤20mΩ
 - After environmental testing: ≤30mΩ

X-ON Electronics

Largest Supplier of Electrical and Electronic Components

Click to view similar products for [Headers & Wire Housings](#) category:

Click to view products by [XKB](#) manufacturer:

Other Similar products are found below :

[95000-104TRLF](#) [10135584-644402LF](#) [DF62W-EP2022PCA](#) [95000-106TRLF](#) [DF62W-2022SCA](#) [DF62W-EP2022PC](#) [2203348](#) [DF62W-2022SC](#) [1084018](#) [1029039](#) [1084017](#) [802-10-012-10-002000](#) [1112640](#) [1112639](#) [891-007-9SS-BST1T](#) [000-34000](#) [0008550134](#) [0009482033](#) [0009507031](#) [57102-F02-18ULF](#) [57102-S06-03LF](#) [57202-S52-04LF](#) [PCN6-15S-2.5E](#) [0039019024](#) [58102-G61-06LF](#) [582553-1](#) [0009485154](#) [0009508121](#) [0022285053](#) [0050291907](#) [018731A](#) [LY20-4P-DT1-P1E-BR](#) [02.125.8002.8](#) [60101931](#) [60598-1 \(Cut Strip\)](#) [M1625-3R/100](#) [61062-3](#) [61082-181009](#) [CSU011177004](#) [636-1427](#) [638009-1](#) [641938-9](#) [641991-4](#) [644168-1](#) [644827-2](#) [647662-1](#) [65039-019ELF](#) [65692-001LF](#) [65781-018](#) [65781-047](#)