


For and on behalf of
XKB INDUSTRIAL PRECISION CO., LIMITED
 香港星坤工業精密有限公司

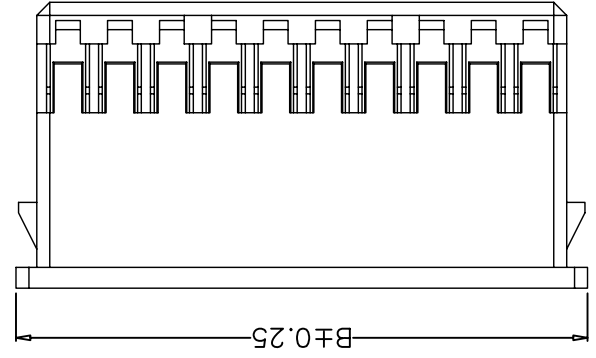
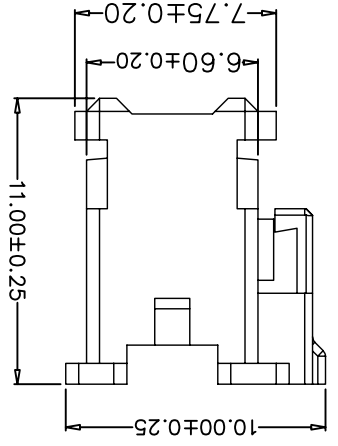
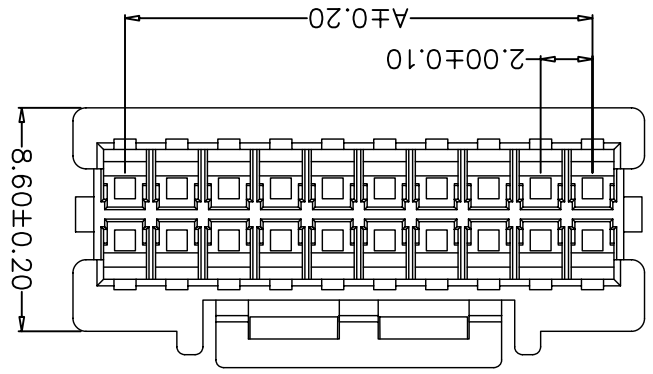
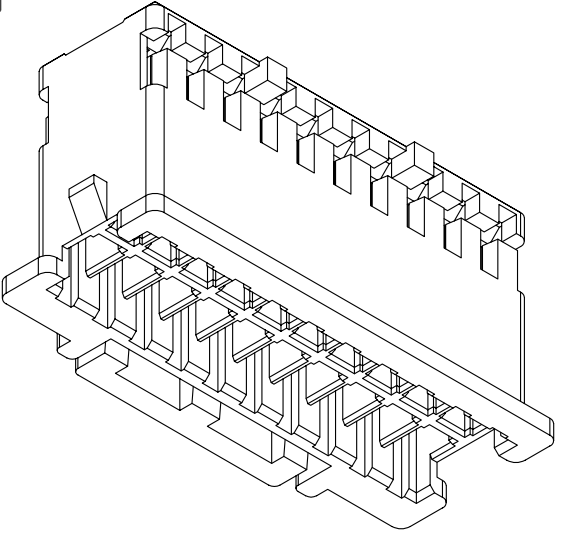
| MARK | DESCRIPTION | REVISIONS | | | UNSPECIFIED TOLERANCES | |
|------|-------------|-----------|---------|----------|------------------------|------|
| | | DATE | REVISED | APPROVED | L > 63 | ±0.5 |
| △ X | | | | | 16 < L ≤ 63 | ±0.4 |
| △ X | | | | | 4 < L ≤ 16 | ±0.3 |
| △ X | | | | | L ≤ 4 | ±0.2 |
| | | | | | ANGULAR | ±5° |

| REVISION | SHEET | WEIGHT | XKB INDUSTRIAL PRECISION CO., LIMITED | | | |
|----------|-------|--------|-----------------------------------------------------------------------------------------|------|------|------|
| | | | DATE | DATE | DATE | DATE |
| A0 | 1/1 | 1.0g | SIZE: A4 | | | |
| | | | UNIT: mm | | | |
| | | | VIEW:  | | | |
| | | | SCALE: N/A | | | |
| | | | MODEL: X2015H-2*XX-N0 | | | |
| | | | PART NO.: | | | |
| | | | 2.00mm Crimp Style Connectors | | | |
| | | | DWG NO.: | | | |

| PART NO | Material | Suitable XKB Terminal | Suitable XKB Terminal |
|----------------|-------------------|-----------------------|-----------------------|
| X2015H-2*XX-N0 | Nylon 66 UL 94V-0 | X2026T | X2026W |

| Poles | Dimensions (mm) | |
|-------|-----------------|-------|
| | A | B |
| 2*02 | 2.00 | 5.90 |
| 2*03 | 4.00 | 7.90 |
| 2*04 | 6.00 | 9.90 |
| 2*05 | 8.00 | 11.90 |
| 2*06 | 10.00 | 13.90 |
| 2*07 | 12.00 | 15.90 |
| 2*08 | 14.00 | 17.90 |
| 2*09 | 16.00 | 19.90 |
| 2*10 | 18.00 | 21.90 |
| 2*11 | 20.00 | 23.90 |
| 2*12 | 22.00 | 25.90 |

| Poles | Dimensions (mm) | |
|-------|-----------------|-------|
| | A | B |
| 2*13 | 24.00 | 27.90 |
| 2*14 | 26.00 | 29.90 |
| 2*15 | 28.00 | 31.90 |
| 2*16 | 30.00 | 33.90 |
| 2*17 | 32.00 | 35.90 |
| 2*18 | 34.00 | 37.90 |
| 2*19 | 36.00 | 39.90 |
| 2*20 | 38.00 | 41.90 |



Specifications :

- Voltage rating: 250V AC / DC
- Current rating: 3A AC / DC
- Withstanding voltage: 800V AC/minute
- Temperature range: -25°C~+85°C
- Insulation resistance: ≥1000MΩ
- Contact resistance: ≤10mΩ
- After environmental testing: ≤20mΩ

X2015 H X-2*XX-N0 XX

- ① Series No.
- ② Category: H-HSG
- ③ Appearance type: Blank-Ordinary
- ④ Row No.-Pin No.: 2*XX-2*02P-2*20P
- ⑤ Material: N0-PA66 94V-0
- ⑥ Color: Blank-Natural Color

X-ON Electronics

Largest Supplier of Electrical and Electronic Components

Click to view similar products for [Headers & Wire Housings](#) category:

Click to view products by [XKB](#) manufacturer:

Other Similar products are found below :

[95000-104TRLF](#) [10135584-644402LF](#) [DF62W-EP2022PCA](#) [95000-106TRLF](#) [DF62W-2022SCA](#) [DF62W-EP2022PC](#) [2203348](#) [DF62W-2022SC](#) [1084018](#) [1029039](#) [1084017](#) [802-10-012-10-002000](#) [1112640](#) [1112639](#) [891-007-9SS-BST1T](#) [000-34000](#) [0008550134](#) [0009482033](#) [0009507031](#) [57102-F02-18ULF](#) [57102-S06-03LF](#) [57202-S52-04LF](#) [PCN6-15S-2.5E](#) [0039019024](#) [58102-G61-06LF](#) [582553-1](#) [0009485154](#) [0009508121](#) [0022285053](#) [0050291907](#) [018731A](#) [LY20-4P-DT1-P1E-BR](#) [02.125.8002.8](#) [60101931](#) [60598-1 \(Cut Strip\)](#) [M1625-3R/100](#) [61062-3](#) [61082-181009](#) [CSU011177004](#) [636-1427](#) [638009-1](#) [641938-9](#) [641991-4](#) [644168-1](#) [644827-2](#) [647662-1](#) [65039-019ELF](#) [65692-001LF](#) [65781-018](#) [65781-047](#)