

For and on behalf of
KXB INDUSTRIAL PRECISION CO., LIMITED
 香港星坤工業精密有限公司
 REVISIONS
 Authorized Signatures(s)

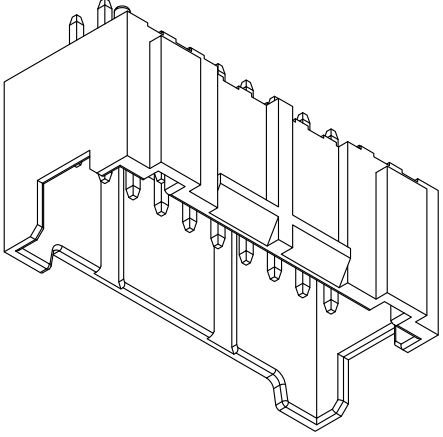
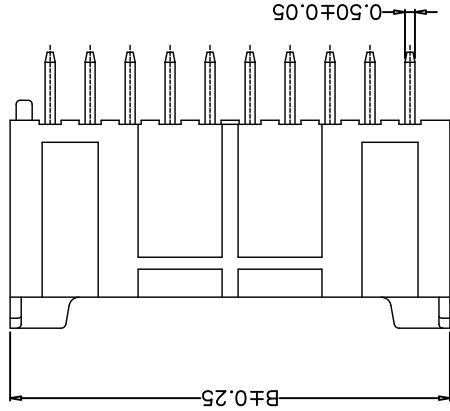
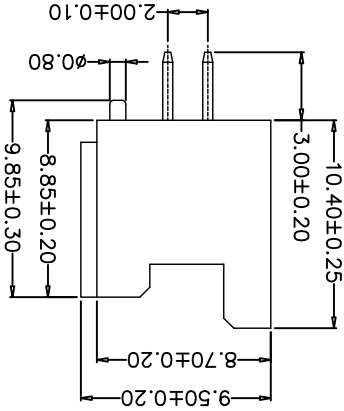
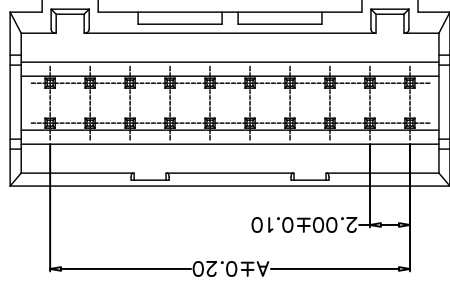
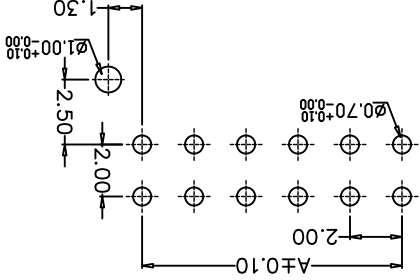
MARK	DESCRIPTION	DATE	REVISED	APPROVED	UNSPECIFIED TOLERANCES
△X					L > 63
△X					16 < L ≤ 63
△X					4 < L ≤ 16
△X					L ≤ 4
					ANGULAR ±5°

DATE	SCALE: N/A	MODEL TYPE: X2015WV-2*XX-N0SN
DNSD		
DWN		
CHKD		
APPD		
DATE		
DATE		
DATE		
VIEW:		
UNIT: mm		
SIZE: A4		
WEIGHT	1.0g	
SHEET	1/1	
REVISION		AO

PART NO	Material	Material(Fin)	Finish(Fin)	Suitable KXB Terminal
X2015WV-2*XX-N0SN	PA66 UL 94V-0	Brass	Tin-Plated	X2015H

Poles	Dimensions (mm)		Poles	Dimensions (mm)	
	A	B		A	B
2*02	2.00	6.00	2*09	16.00	20.00
2*03	4.00	8.00	2*10	18.00	22.00
2*04	6.00	10.00	2*11	20.00	24.00
2*05	8.00	12.00	2*12	22.00	26.00
2*06	10.00	14.00	2*13	24.00	28.00
2*07	12.00	16.00	2*14	26.00	30.00
2*08	14.00	18.00	2*15	28.00	32.00

PCB LAYOUT



- Specifications :**
- Voltage rating: 250V AC / DC
 - Current rating: 3A AC / DC
 - Withstanding voltage: 800V AC/minute
 - Temperature range: -25°C~+85°C
 - Insulation resistance: ≥1000MΩ
 - Contact resistance: ≤10mΩ
 - After environmental testing: ≤20mΩ
- ① Series No.
 ② Category: W-WAFER
 ③ Welding Board Angle: V-Straight 180°
 ④ Welding Way: Blank-DIP
 ⑤ Row No.-Pin No.: 2*XX-2*02P-2*20P
 ⑥ Material: NO-PA66 94V-0
 ⑦ Plating Category: SN-Bright Tin Plating;
 ⑧ Color : Blank-Natural Color ; BK-Black;WH-White

X2015 W V X-2*XX-N0 XX X
 ① ② ③ ④ ⑤ ⑥ ⑦ ⑧

X-ON Electronics

Largest Supplier of Electrical and Electronic Components

Click to view similar products for [Headers & Wire Housings](#) category:

Click to view products by [XKB](#) manufacturer:

Other Similar products are found below :

[95000-104TRLF](#) [10135584-644402LF](#) [DF62W-EP2022PCA](#) [95000-106TRLF](#) [DF62W-2022SCA](#) [DF62W-EP2022PC](#) [2203348](#) [DF62W-2022SC](#) [1084018](#) [1029039](#) [1084017](#) [802-10-012-10-002000](#) [1112640](#) [1112639](#) [891-007-9SS-BST1T](#) [000-34000](#) [0008550134](#) [0009482033](#) [0009507031](#) [57102-F02-18ULF](#) [57102-S06-03LF](#) [57202-S52-04LF](#) [PCN6-15S-2.5E](#) [0039019024](#) [58102-G61-06LF](#) [582553-1](#) [0009485154](#) [0009508121](#) [0022285053](#) [0050291907](#) [018731A](#) [LY20-4P-DT1-P1E-BR](#) [02.125.8002.8](#) [60101931](#) [60598-1 \(Cut Strip\)](#) [M1625-3R/100](#) [61062-3](#) [61082-181009](#) [CSU011177004](#) [636-1427](#) [638009-1](#) [641938-9](#) [641991-4](#) [644168-1](#) [644827-2](#) [647662-1](#) [65039-019ELF](#) [65692-001LF](#) [65781-018](#) [65781-047](#)