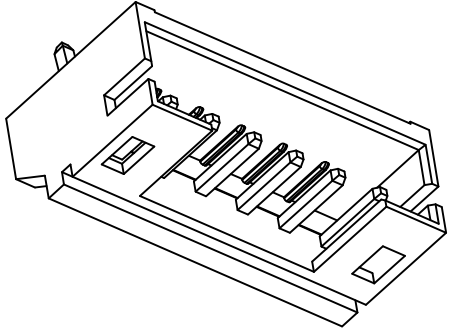
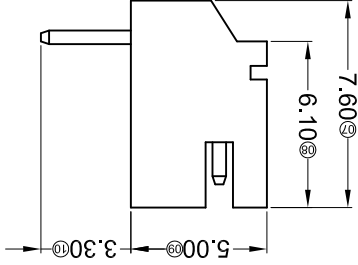
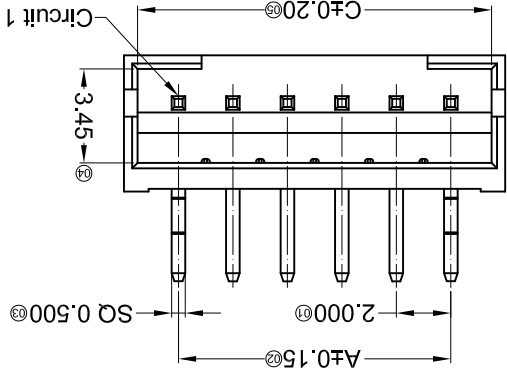
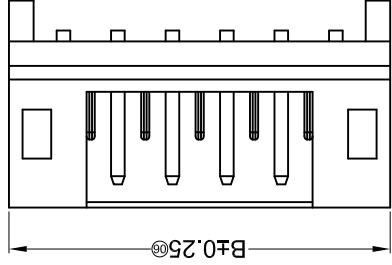
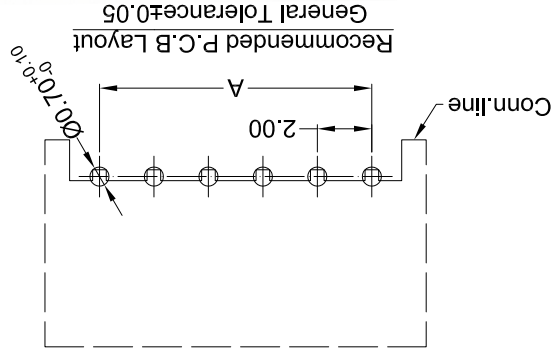


For and on behalf of  
**XKB INDUSTRIAL PRECISION CO., LIMITED**  
 香港星坤工業精密有限公司

MARK	DESCRIPTION	REVISIONS			UNSPECIFIED TOLERANCES
		DATE	REVISED	APPROVED	
△X					L > 63 ±0.5
△X					16 < L ≤ 63 ±0.4
△X					4 < L ≤ 16 ±0.3
△X					L ≤ 4 ±0.2
					ANGULAR ±5°

<b>XKB INDUSTRIAL PRECISION CO., LIMITED</b>	WEIGHT	1.0g
	SHEET	1/1
	REVISION	A0
<b>DSND</b>	DATE	SCALE: N/A
<b>DWN</b>	DATE	VIEW:
<b>CHKD</b>	DATE	UNIT: mm
<b>APPD</b>	DATE	SIZE: A4
		DWG NO.:
		PART NO.:
		MODEL TYPE: 2016WR-XX-NOSN



PART NO	Material	Material(Pin)	Finish(Pin)	Poles			
				A	B	C	Dimensions (mm)
X2016WR-XX-46SN	Nylon 46 UL 94V-0	Brass	Tin-Plated	15	14	13	12
X2016WR-XX-NOSN	Nylon 66 UL 94V-0	Brass	Tin-Plated	15	14	13	12

Poles	Dimensions (mm)				A	B	C
	A	B	C	Dimensions (mm)			
08	14.00	18.00	17.00	15	28.00	32.00	31.00
07	12.00	16.00	15.00	14	26.00	30.00	29.00
06	10.00	14.00	13.00	13	24.00	28.00	27.00
05	8.00	12.00	11.00	12	22.00	26.00	25.00
04	6.00	10.00	9.00	11	20.00	24.00	23.00
03	4.00	8.00	7.00	10	18.00	22.00	21.00
02	2.00	6.00	5.00	09	16.00	20.00	19.00
				16	30.00	34.00	33.00
					A	B	C

- ① Series No.  
 ② Category: W-WAFER  
 ③ Welding Board Angle: R-Right Angle 90°  
 ④ Welding Way: Blank-DIP  
 ⑤ Row No.-Pin No.: XX-02P~20P  
 ⑥ Plug the Pin & Special No.: Blank-Without kink  
 ⑦ Material: NO-PA66 94V-0 46-PA46 94-V0  
 ⑧ Plating Category: SN-Bright Tin Plating  
 ⑨ Color: Blank-Natural Color
- X2016 W R X-XX XX -N0 SN XX  
 ① ② ③ ④ ⑤ ⑥ ⑦ ⑧ ⑨

- Specifications :
- Voltage rating: 100V AC / DC
  - Current rating: 2A AC / DC
  - Withstanding voltage: 800V AC/minute
  - Temperature range: -25°C~+85°C
  - Insulation resistance: ≥100MΩ
  - Contact resistance: ≤10mΩ
  - After environmental testing: ≤20mΩ

## X-ON Electronics

Largest Supplier of Electrical and Electronic Components

*Click to view similar products for [Headers & Wire Housings](#) category:*

*Click to view products by [XKB](#) manufacturer:*

Other Similar products are found below :

[95000-104TRLF](#) [10135584-644402LF](#) [DF62W-EP2022PCA](#) [95000-106TRLF](#) [DF62W-2022SCA](#) [DF62W-EP2022PC](#) [2203348](#) [DF62W-2022SC](#) [1084018](#) [1029039](#) [1084017](#) [802-10-012-10-002000](#) [1112640](#) [1112639](#) [891-007-9SS-BST1T](#) [000-34000](#) [0008550134](#) [0009482033](#) [0009507031](#) [57102-F02-18ULF](#) [57102-S06-03LF](#) [57202-S52-04LF](#) [PCN6-15S-2.5E](#) [0039019024](#) [58102-G61-06LF](#) [582553-1](#) [0009485154](#) [0009508121](#) [0022285053](#) [0050291907](#) [018731A](#) [LY20-4P-DT1-P1E-BR](#) [02.125.8002.8](#) [60101931](#) [60598-1 \(Cut Strip\)](#) [M1625-3R/100](#) [61062-3](#) [61082-181009](#) [CSU011177004](#) [636-1427](#) [638009-1](#) [641938-9](#) [641991-4](#) [644168-1](#) [644827-2](#) [647662-1](#) [65039-019ELF](#) [65692-001LF](#) [65781-018](#) [65781-047](#)