

For and on behalf of  
**XKB INDUSTRIAL PRECISION CO., LIMITED**  
 香港星坤工業精密有限公司

MARK	DESCRIPTION	DATE	REVISED	APPROVED	UNSPECIFIED TOLERANCES
△ X					$L > 63$
△ X					$16 < L \leq 63$
△ X					$4 < L \leq 16$
△ X					$L \leq 4$
					ANGULAR
					$\pm 5^\circ$

REVISIONS	DATE	REVISOR	APPROVED	DESCRIPTION

DATE	DATE	DATE	DATE	DATE

DATE	DATE	DATE	DATE	DATE

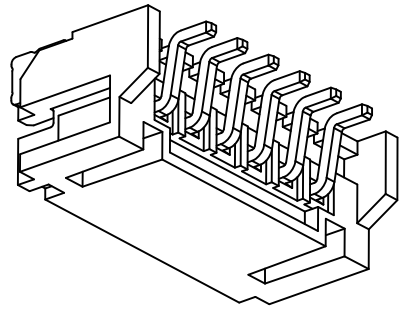
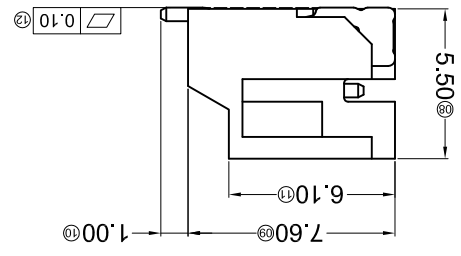
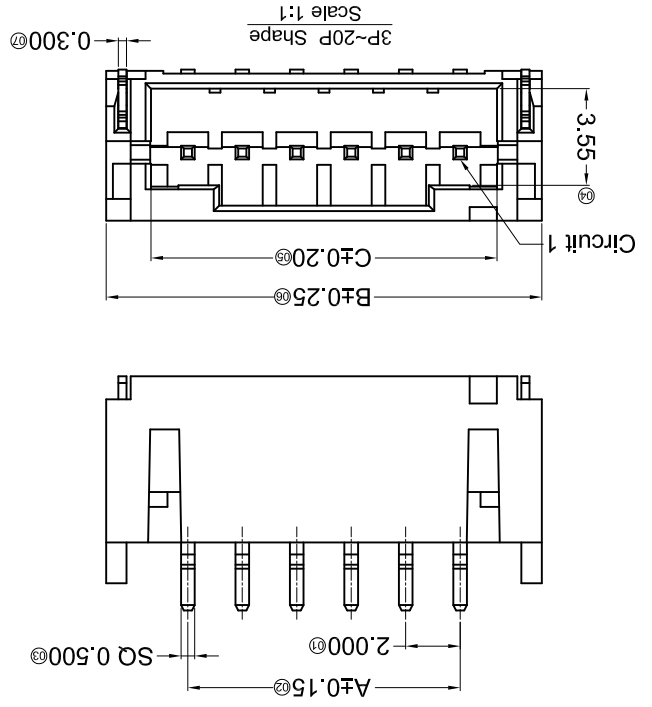
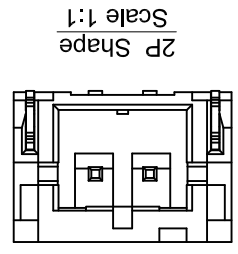
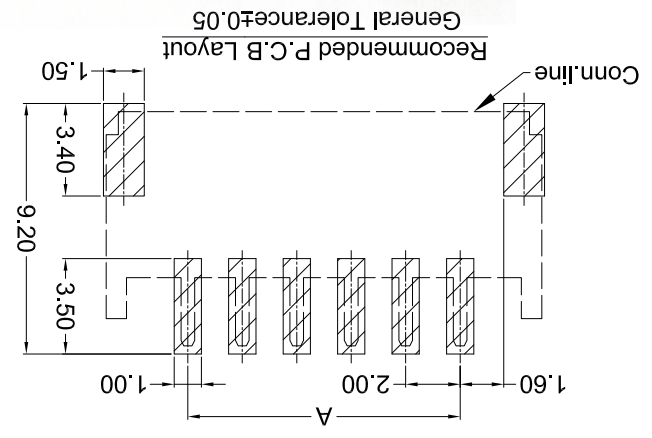
DATE	DATE	DATE	DATE	DATE

DATE	DATE	DATE	DATE	DATE

REVISION	SHEET	WEIGHT
A0	1/1	1.0g

MODEL TYPE	SCALE	VIEW	UNIT	SIZE
X2016WRS-XX-XXXXXXX	N/A	VIEW:	mm	A4

PART NO.:	DWG NO.:
X2016WRS-XX-XXXXXXX	2.00mm Crimp Style Connectors



PART NO	MATERIAL	FINISH (P/H)	FINISH (P/H)	MATERIAL (SOLDER TABS)	FINISH (SOLDER TABS)	SUITABLE XKB TERMINAL
X2016WRS-XX-9TSM	PA9T UL 94V-0	Tin-Plated	Tin-Plated	Brass	Tin-Plated	Male
X2016WRS-XX-LP5WHF	LCP UL 94V-0	Halogen Free	Halogen Free	Brass	Tin-Plated	Male
X2016WRS-XX-LP5SW	LCP UL 94V-0	Halogen Free	Halogen Free	Brass	Tin-Plated	Male
X2016WRS-XX-9T15BK	PA9T UL 94V-0	Black	Black	Brass	Tin-Plated	Male
X2016WRS-XX-9T15BK	PA9T UL 94V-0	Black	Black	Brass	Tin-Plated	Male
X2016WRS-XX-9T15BK	PA9T UL 94V-0	Black	Black	Brass	Tin-Plated	Male

POLES	A	B	C	POLES	A	B	C	POLES	A	B	C
02	2.00	8.00	4.70	09	16.00	22.00	18.70	16	30.00	36.00	32.70
03	4.00	10.00	6.70	10	18.00	24.00	20.70	17	32.00	38.00	34.70
04	6.00	12.00	8.70	11	20.00	26.00	22.70	18	34.00	40.00	36.70
05	8.00	14.00	10.70	12	22.00	28.00	24.70	19	36.00	42.00	38.70
06	10.00	16.00	12.70	13	24.00	30.00	26.70	20	38.00	44.00	40.70
07	12.00	18.00	14.70	14	26.00	32.00	28.70				
08	14.00	20.00	16.70	15	28.00	34.00	30.70				

- ① Series No.  
 ② Category: W-WAFER  
 ③ Welding Board Angle: R-Right Angle 90°  
 ④ Welding Way: S-SMT  
 ⑤ Row No.-Pin No.: XX-02P~20P  
 ⑥ Plug the Pin & Special No.  
 ⑦ Material: 9T-PA9T 94V-0 LP-LCP 94V-0  
 ⑧ Plating Category: SW-Matte Tin Plating; V15-Gold 15u"  
 ⑨ Color: HF-Halogen Free; Blank-Natural Color; BK-Black

- Specifications:
- Voltage rating: 100V AC / DC
  - Current rating: 2A AC / DC
  - Withstanding voltage: 800V AC/minute
  - Temperature range: -25°C~+85°C
  - Insulation resistance:  $\geq 1000M\Omega$
  - Contact resistance:  $\leq 10m\Omega$
  - After environmental testing:  $\leq 20m\Omega$

PART NO.	SCALE	VIEW	UNIT	SIZE
X2016WRS-XX-XXXXXXX	N/A	VIEW:	mm	A4

## X-ON Electronics

Largest Supplier of Electrical and Electronic Components

*Click to view similar products for [Headers & Wire Housings](#) category:*

*Click to view products by [XKB](#) manufacturer:*

Other Similar products are found below :

[95000-104TRLF](#) [10135584-644402LF](#) [DF62W-EP2022PCA](#) [95000-106TRLF](#) [DF62W-2022SCA](#) [DF62W-EP2022PC](#) [2203348](#) [DF62W-2022SC](#) [1084018](#) [1029039](#) [1084017](#) [802-10-012-10-002000](#) [1112640](#) [1112639](#) [891-007-9SS-BST1T](#) [000-34000](#) [0008550134](#) [0009482033](#) [0009507031](#) [57102-F02-18ULF](#) [57102-S06-03LF](#) [57202-S52-04LF](#) [PCN6-15S-2.5E](#) [0039019024](#) [58102-G61-06LF](#) [582553-1](#) [0009485154](#) [0009508121](#) [0022285053](#) [0050291907](#) [018731A](#) [LY20-4P-DT1-P1E-BR](#) [02.125.8002.8](#) [60101931](#) [60598-1 \(Cut Strip\)](#) [M1625-3R/100](#) [61062-3](#) [61082-181009](#) [CSU011177004](#) [636-1427](#) [638009-1](#) [641938-9](#) [641991-4](#) [644168-1](#) [644827-2](#) [647662-1](#) [65039-019ELF](#) [65692-001LF](#) [65781-018](#) [65781-047](#)