

For and on behalf of
XKB INDUSTRIAL PRECISION CO., LIMITED
 香港星坤工業精密有限公司

REVISIONS
 Authorized Signature(s)

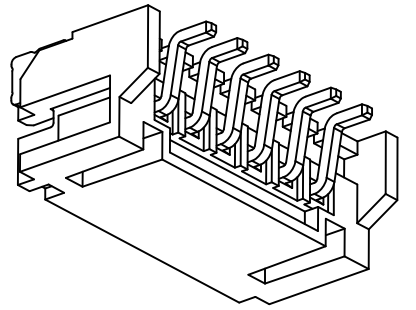
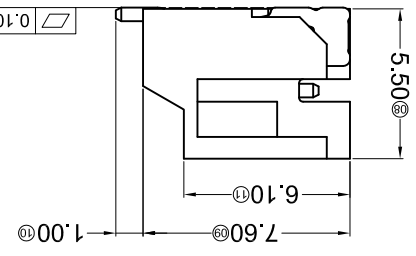
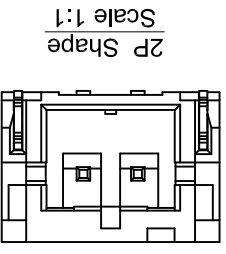
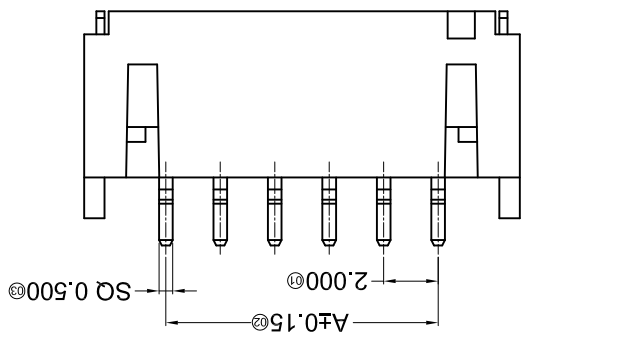
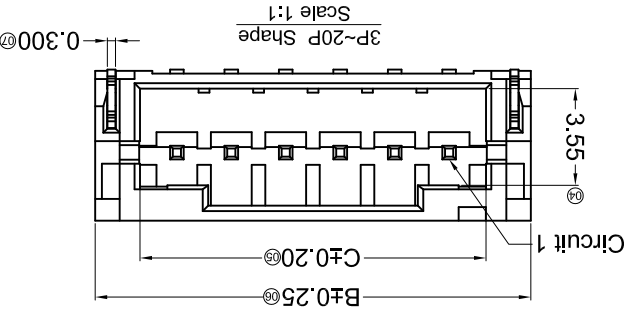
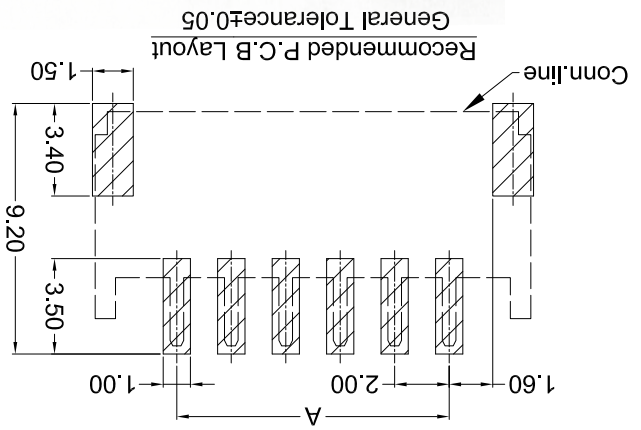
MARK	DESCRIPTION	DATE	REVISED	APPROVED	UNSPECIFIED TOLERANCES
△ X					L > 63
△ X					16 > L ≤ 63
△ X					4 < L ≤ 16
△ X					L ≤ 4
					ANGULAR
					± 5°

APPD	DATE	SIZE: A4	WEIGHT	SHEET	REVISION
			1.0g	1/1	A0

CHKD	DATE	UNIT: mm	DWG NO.:
			2.00mm Crimp Style Connectors

DWN	DATE	VIEW:	PART NO.:
		①	X2016WRS-XX-XXXXXXX

DSND	DATE	SCALE: N/A	MODEL TYPE:
			X2016WRS-XX-XXXXXXX



PART NO	Material	Material (P/N)	Finish (P/N)	Material (Solder Tabs)	Material (Solder Tabs)	Suitable XKB Terminal
X2016WRS-XX-9TSM	PA9T UL 94V-0	Tin-Plated	Tin-Plated	Brass	Tin-Plated	Male
X2016WRS-XX-LP5WHF	LCP UL 94V-0	Tin-Plated	Tin-Plated	Brass	Tin-Plated	Male
X2016WRS-XX-LP5SW	LCP UL 94V-0	Tin-Plated	Tin-Plated	Brass	Tin-Plated	Male
X2016WRS-XX-9T15BK	PA9T UL 94V-0	GoldTsur	GoldTsur	Brass	Tin-Plated	Male
X2016WRS-XX-9T15BK Black	PA9T UL 94V-0	GoldTsur	GoldTsur	Brass	Tin-Plated	Male
X2016WRS-XX-9T15SW	PA9T UL 94V-0	Tin-Plated	Tin-Plated	Brass	Tin-Plated	Male

Poles	Dimensions (mm)		Poles	Dimensions (mm)	
	A	B		A	B
02	2.00	8.00	09	16.00	22.00
03	4.00	10.00	10	18.00	24.00
04	6.00	12.00	11	20.00	26.00
05	8.00	14.00	12	22.00	28.00
06	10.00	16.00	13	24.00	30.00
07	12.00	18.00	14	26.00	32.00
08	14.00	20.00	15	28.00	34.00
				30.00	36.00
				32.00	38.00
				34.00	40.00
				36.00	42.00
				38.00	44.00
				40.00	46.00
				42.00	48.00
				44.00	50.00

- ① Series No.
 ② Category: W-WAFER
 ③ Welding Board Angle: R-Right Angle 90°
 ④ Welding Way: S-SMT
 ⑤ Row No.-Pin No.: XX-02P~20P
 ⑥ Plug the Pin & Special No.
 ⑦ Material: 9T-PA9T 94V-0 LP-LCP 94V-0
 ⑧ Plating Category: SW-Matte Tin Plating; V15-Gold 15u"
 ⑨ Color: HF-Halogen Free; Blank-Natural Color; BK-Black

- Specifications:
- Voltage rating: 100V AC / DC
 - Current rating: 2A AC / DC
 - Withstanding voltage: 800V AC/minute
 - Temperature range: -25°C~+85°C
 - Insulation resistance: ≥100MΩ
 - Contact resistance: ≤10mΩ
 - After environmental testing: ≤20mΩ

X2016 W R S-XX X-XX XXX XX
 ① ② ③ ④ ⑤ ⑥ ⑦ ⑧ ⑨

X-ON Electronics

Largest Supplier of Electrical and Electronic Components

Click to view similar products for [Headers & Wire Housings](#) category:

Click to view products by [XKB](#) manufacturer:

Other Similar products are found below :

[95000-104TRLF](#) [10135584-644402LF](#) [DF62W-EP2022PCA](#) [95000-106TRLF](#) [DF62W-2022SCA](#) [DF62W-EP2022PC](#) [2203348](#) [DF62W-2022SC](#) [1084018](#) [1029039](#) [1084017](#) [802-10-012-10-002000](#) [1112640](#) [1112639](#) [891-007-9SS-BST1T](#) [000-34000](#) [0008550134](#) [0009482033](#) [0009507031](#) [57102-F02-18ULF](#) [57102-S06-03LF](#) [57202-S52-04LF](#) [PCN6-15S-2.5E](#) [0039019024](#) [58102-G61-06LF](#) [582553-1](#) [0009485154](#) [0009508121](#) [0022285053](#) [0050291907](#) [018731A](#) [LY20-4P-DT1-P1E-BR](#) [02.125.8002.8](#) [60101931](#) [60598-1 \(Cut Strip\)](#) [M1625-3R/100](#) [61062-3](#) [61082-181009](#) [CSU011177004](#) [636-1427](#) [638009-1](#) [641938-9](#) [641991-4](#) [644168-1](#) [644827-2](#) [647662-1](#) [65039-019ELF](#) [65692-001LF](#) [65781-018](#) [65781-047](#)