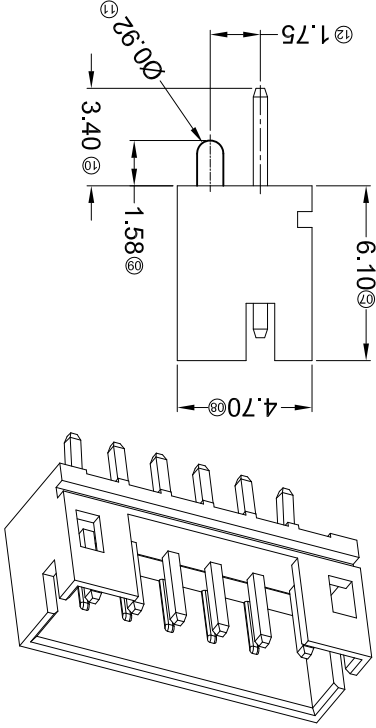
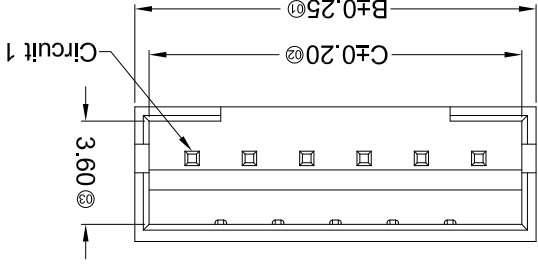
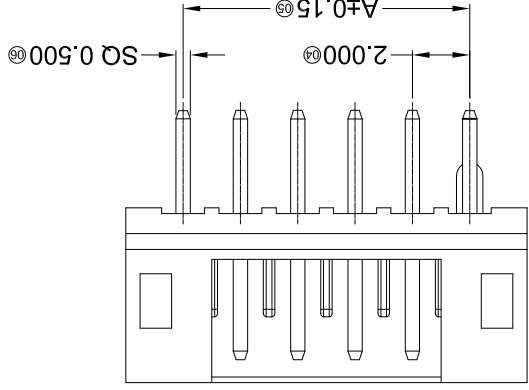
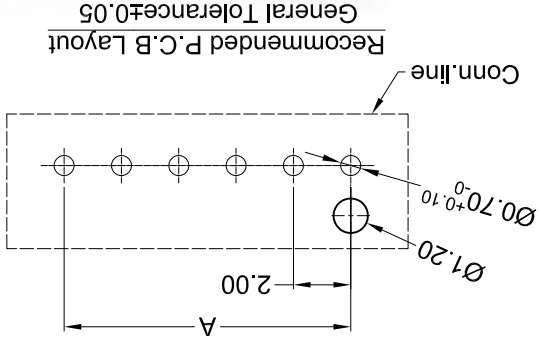


For and on behalf of  
**KXB INDUSTRIAL PRECISION CO., LIMITED**  
 香港星坤工業精密有限公司

MARK	DESCRIPTION	DATE	REVISED	APPROVED	UNSPECIFIED TOLERANCES
△X					L > 63
△X					16 > L ≤ 63
△X					4 < L ≤ 16
					L ≤ 4
					ANGULAR
					±5°



PART NO	Material	Material(Pin)	Finish(Pin)	Suitable XKB Terminal
X2016WV-XXS-LPSN	LCP UL 94V-0	Brass	Tin-Plated	X2016H

Poles	Dimensions (mm)			Poles	Dimensions (mm)		
	A	B	C		A	B	C
02	2.00	6.00	5.00	09	16.00	20.00	19.00
03	4.00	8.00	7.00	10	18.00	22.00	21.00
04	6.00	10.00	9.00	11	20.00	24.00	23.00
05	8.00	12.00	11.00	12	22.00	26.00	25.00
06	10.00	14.00	13.00	13	24.00	28.00	27.00
07	12.00	16.00	15.00	14	26.00	30.00	29.00
08	14.00	18.00	17.00	15	28.00	32.00	31.00

- **Specifications :**
- Voltage rating: 100V AC / DC
  - Current rating: 2A AC / DC
  - Withstanding voltage: 800V AC/minute
  - Temperature range: -25°C~+85°C
  - Insulation resistance: ≥1000MΩ
  - Contact resistance: ≤10mΩ
  - After environmental testing: ≤20mΩ

X2016 W V X-XX S-LP SN XX

- Series No.
- Category: W-WAFER
- Welding Board Angle: V-Straight 180°
- Welding Way: Blank-DIP
- Row No.-Pin No.: XX-02P~20P
- Plug the Pin & Special No.: Blank-Without Kink,S-With Post;
- Material: LP-LCP 94V-0;
- Plating Category: SN-Bright Tin Plating
- Color : Blank-Natural Color;

DSND	DATE	SCALE: N/A	MODEL TYPE: X2016WV-XXS-LPSN
CHKD	DATE <td>UNIT: mm</td> <td>DWG NO.: 2.00 mm Crimp Style Connectors</td>	UNIT: mm	DWG NO.: 2.00 mm Crimp Style Connectors
APPD	DATE <td>SIZE: A4</td> <td></td>	SIZE: A4	

REVISION	SHEET	WEIGHT
A0	1/1	1.0g

REVISIONS  
 Authorized Signature(s)

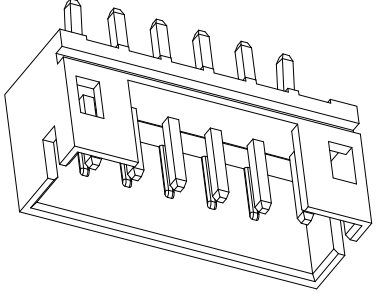
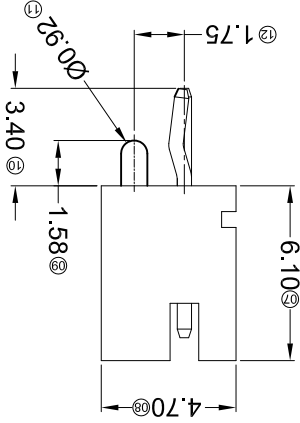
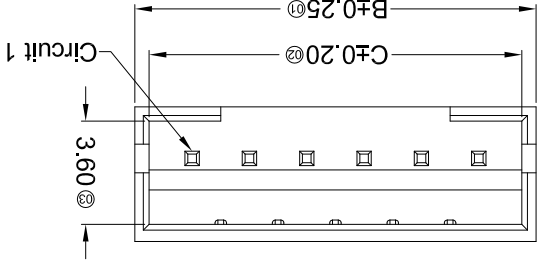
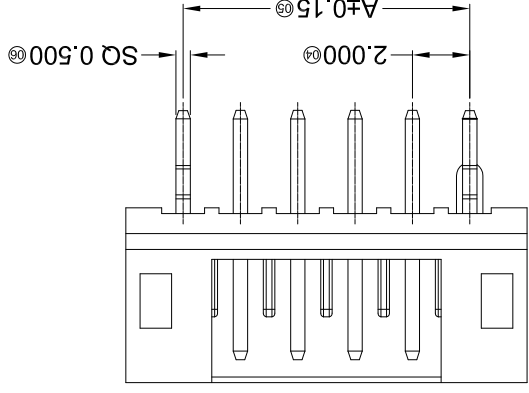
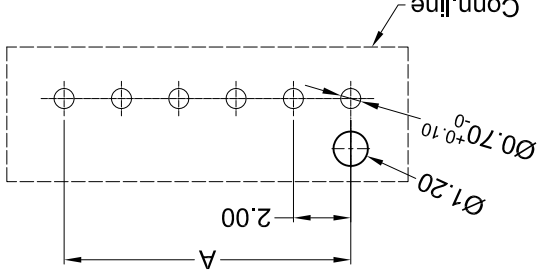
**KXB INDUSTRIAL PRECISION CO., LIMITED**

For and on behalf of  
**XKB INDUSTRIAL PRECISION CO., LIMITED**  
 香港星坤工業精密有限公司

MARK	DESCRIPTION	REVISIONS			UNSPECIFIED TOLERANCES
		DATE	REVISED	APPROVED	
△X					L > 63
△X					16 > L ≤ 63
△X					4 < L ≤ 16
△X					L ≤ 4
					ANGULAR
					±5°

REVISIONS		WEIGHT		SHEET		REVISION	
1.0g		1/1		A0			
DATE		SCALE: N/A		MODEL TYPE:		2016WV-XXKS-4TSN	
DWN		VIEW:		PART NO.:		2.00 mm Crimp Style Connectors	
CHKD		UNIT: mm		DWG NO.:			
APPD		DATE		SIZE: A4			

Recommended P.C.B Layout  
 General Tolerance±0.05



PART NO	Material	Material(Pin)	Finish(Pin)	Suitable XKB Terminal
X2016WV-XXKS-4TSN	LCP UL 94V-0	Brass	Tin-Plated	X2016H

Poles	Dimensions (mm)			Poles	Dimensions (mm)		
	A	B	C		A	B	C
02	2.00	6.00	5.00	09	16.00	20.00	19.00
03	4.00	8.00	7.00	10	18.00	22.00	21.00
04	6.00	10.00	9.00	11	20.00	24.00	23.00
05	8.00	12.00	11.00	12	22.00	26.00	25.00
06	10.00	14.00	13.00	13	24.00	28.00	27.00
07	12.00	16.00	15.00	14	26.00	30.00	29.00
08	14.00	18.00	17.00	15	28.00	32.00	31.00

- Series No.**  
 ① X2016 W V X-XX KS-4T SN XX
- ② Category: W-WAFER
  - ③ Welding Board Angle: V-Straight 180°
  - ④ Welding Way: Blank-DIP
  - ⑤ Row No.-Pin No.: XX-02P~20P
  - ⑥ Plug the Pin & Special No.: K-With kink,S-With Post;
  - ⑦ Material: 4T-PA4T 94V-0;
  - ⑧ Plating Category: SN-Bright Tin Plating
  - ⑨ Color: Blank-Natural Color;

- Specifications :**
- Voltage rating: 100V AC / DC
  - Current rating: 2A AC / DC
  - Withstanding voltage: 800V AC/minute
  - Temperature range: -25°C~+85°C
  - Insulation resistance: ≥1000MΩ
  - Contact resistance: ≤10mΩ
  - After environmental testing: ≤20mΩ

For and on behalf of  
**XKB INDUSTRIAL PRECISION CO., LIMITED**  
 香港星坤工業精密有限公司

MARK	DESCRIPTION	DATE	REVISED	APPROVED	UNSPECIFIED TOLERANCES
△ X					L > 63
△ X					16 > L ≤ 63
△ X					4 < L ≤ 16
					L ≤ 4
					ANGULAR
					± 5°

REVISIONS	SIGNATURE(S)	
DATE	APPROVED	REVISED

WEIGHT	1.0g
SHEET	1/1
REVISION	A0

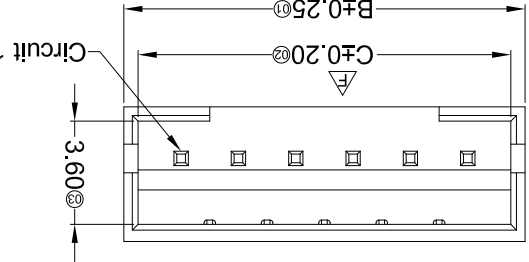
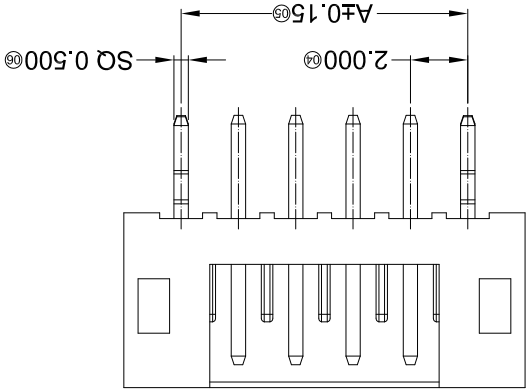
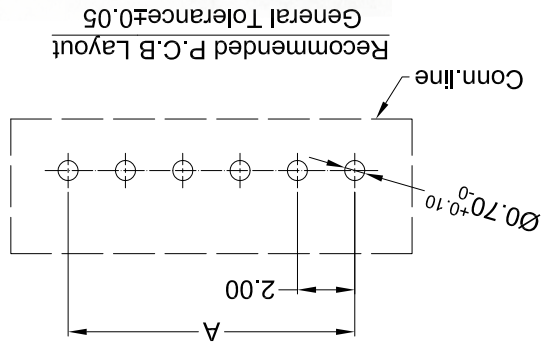
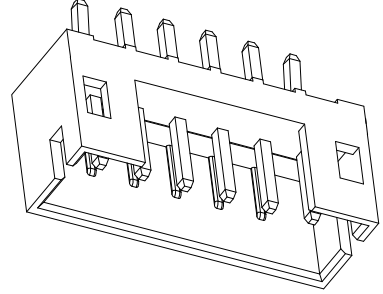
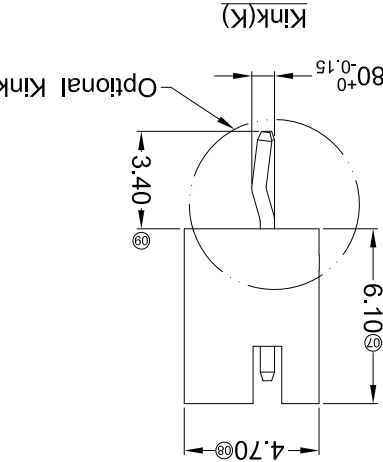
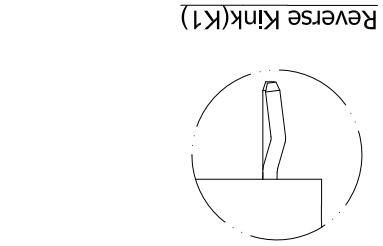
DSND	DATE	SCALE: N/A	MODEL TYPE: X2016WV-XXKX-XXXXXX
DWN	DATE	VIEW:	PART NO.:
CHKD	DATE	UNIT: mm	2.00 mm Crimp Style Connectors
APPD	DATE	SIZE: A4	DWG NO.:

PART NO	Material	Material(Pin)	Finish(Pin)	Suitable XKB Terminal
X2016WV-XXKX-46SNGV	Nylon 46 UL 94V-0 Gray	Brass	Tin-Plated	X2016H
X2016WV-XXKX-NOV01	Nylon 66 UL 94V-0		Gold-Flash	
X2016WV-XXKX-NOSN	Nylon 66 UL 94V-0		Tin-Plated	

Poles	Dimensions (mm)			Poles	Dimensions (mm)		
	A	B	C		A	B	C
02	2.00	6.00	4.80	09	16.00	20.00	18.80
03	4.00	8.00	6.80	10	18.00	22.00	20.80
04	6.00	12.00	8.80	11	22.00	24.00	22.80
05	8.00	16.00	10.80	12	24.00	26.00	24.80
06	10.00	20.00	12.80	13	26.00	28.00	26.80
07	12.00	24.00	14.80	14	28.00	30.00	28.80
08	14.00	28.00	16.80	15	30.00	32.00	30.80

- ① Series No. X2016 W V X-XX KX -N0 SN XX
- ② Category: W-WAFER
- ③ Welding Board Angle: V-Straight 180°
- ④ Welding Way: Blank-DIP
- ⑤ Row No.-Pin No.: XX-02P~20P
- ⑥ Plug the Pin & Special No.: K-Kink ; K1-Reverse Kink ;
- ⑦ Material: 46 -PA46 94V-0 ; N0-PA66 94V-0
- ⑧ Plating Category: SN-Bright Tin Plating ; V01-Gold Flash
- ⑨ Color : Blank-Natural Color ; GY-Gray

- Specifications :
- Voltage rating: 100V AC / DC
  - Current rating: 2A AC / DC
  - Withstanding voltage: 800V AC/minute
  - Temperature range: -25°C~+85°C
  - Insulation resistance: ≥1000MΩ
  - Contact resistance: ≤10mΩ
  - After environmental testing: ≤20mΩ



For and on behalf of  
**XKB INDUSTRIAL PRECISION CO., LIMITED**  
 香港星坤工業精密有限公司

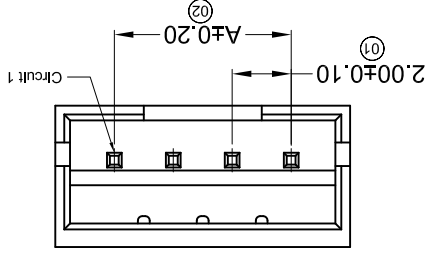
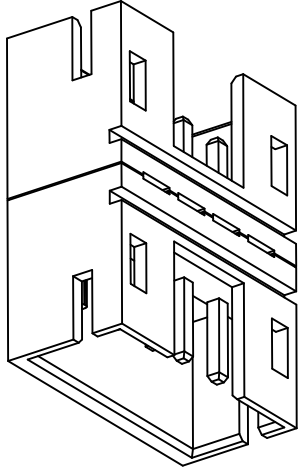
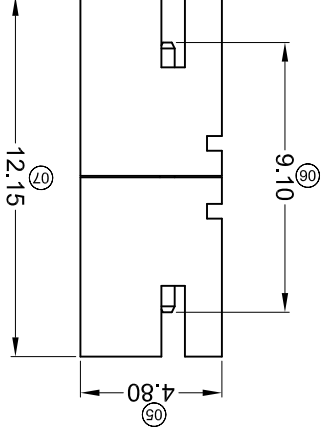
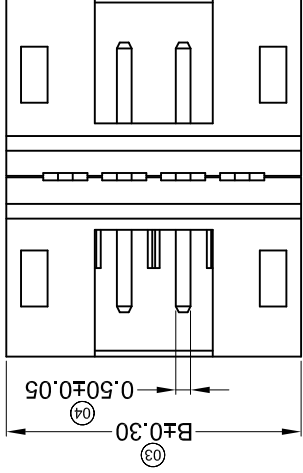
MARK	DESCRIPTION	REVISIONS			UNSPECIFIED TOLERANCES	
		DATE	REVISED	APPROVED	L > 63	± 0.5
△ X					16 < L ≤ 63	± 0.4
△ X					4 < L ≤ 16	± 0.3
△ X					L ≤ 4	± 0.2
					ANGULAR	± 5°

REVISION		WEIGHT	XKB INDUSTRIAL PRECISION CO., LIMITED	
NO.	DESCRIPTION	1.0g	SIZE: A4	DATE
A0		1/1		

DNSD	DATE	SCALE: N/A	MODEL TYPE: 2016WV-XXH2-N0SN
DWN	DATE	VIEW:	PART NO.: 2.00 mm Crimp Style Connector
CHKD	DATE	UNIT: mm	DWG NO.:
APPD	DATE		

PART NO	Material	Material(Pin)	Finish(Pin)	Suitable XKB Terminal	Qty/Bag
X2016WV-XXH2-N0SN	Nylon 66 UL 94V-0	Brass	Tin-Plated	X2016H	1,000Pcs



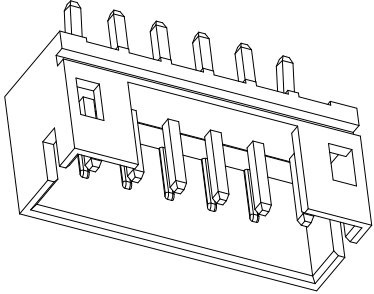
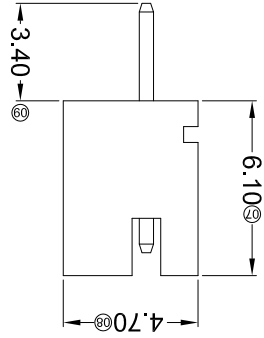
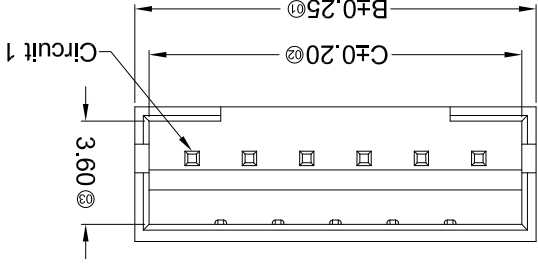
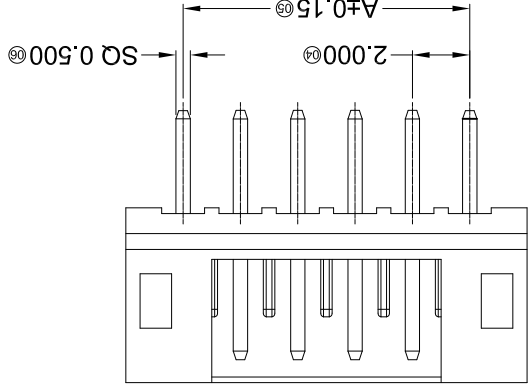
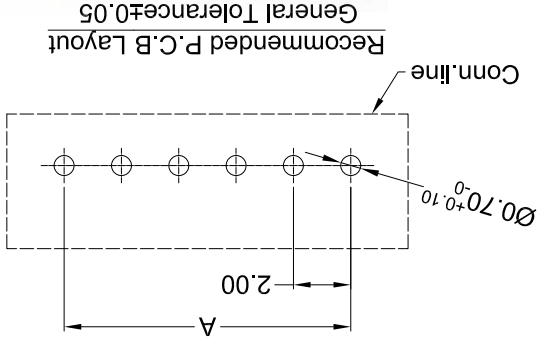
Poles		Dimensions (mm)	
A	B	A	B
02	2.00	6.00	6.00
03	4.00	8.00	8.00
04	6.00	10.00	10.00
05	8.00	12.00	12.00
06	10.00	14.00	14.00
07	12.00	16.00	16.00
08	14.00	18.00	18.00
09	16.00	20.00	20.00
10	18.00	22.00	22.00
11	20.00	24.00	24.00
12	22.00	26.00	26.00
13	24.00	28.00	28.00
14	26.00	30.00	30.00
15	28.00	32.00	32.00
16	30.00	34.00	34.00
17	32.00	36.00	36.00
18	34.00	38.00	38.00
19	36.00	40.00	40.00
20	38.00	42.00	42.00

- X2016 W V X-XX H2-N0 SN XX
- ① Series No.
  - ② Category: W-WAFER
  - ③ Welding Board Angle: V-180°; R-90°
  - ④ Welding Way: Blank-DIP; S-SMT
  - ⑤ Row No.-Pin No.: XX-Single Row; 2\*XX-Double Row
  - ⑥ Plug the Pin & Special No.: H2-Double sided insert
  - ⑦ Material: N0-PA66 94V-0; 6T-PA6T 94V-0; 46-PA46
  - ⑧ Plating Category: G\*\*-Gold Plated Contact  
 V\*\*- All Gold-Plated  
 01-Gold Flash 02-2u" 03-3u"  
 05-5u" 10-10u" 15-15u"  
 SN-Bright Tin Plating (70-120u")  
 SN1-Bright Tin Plating (120u" Min).  
 0-No Plating Material  
 SW-Fog Tin Plating  
 HS-Hight temperature Tin
  - ⑨ Color: Blank-Natural Color

- Specifications :
- Voltage rating: 100V AC / DC
  - Current rating: 2A AC / DC
  - Withstanding voltage: 800V AC/minute
  - Temperature range: -25°C~+85°C
  - Insulation resistance: ≥1000MΩ
  - Contact resistance: ≤10mΩ
  - After environmental testing: ≤20mΩ

For and on behalf of  
**KXB INDUSTRIAL PRECISION CO., LIMITED**  
 香港星坤工業精密有限公司

MARK	DESCRIPTION	REVISIONS			UNSPECIFIED TOLERANCES
		DATE	REVISED	APPROVED	
△X					L > 63
△X					16 > L ≤ 63
△X					4 < L ≤ 16
△X					L ≤ 4
					ANGULAR
					±5°



PART NO	Material	Material(Pin)	Finish(Pin)	Suitable XKB Terminal
X2016WV-XX-6TSN	Nylon 6T UL94V-0	Brass	Tin-Plated	X2016H
X2016WV-XX-46SN	Nylon 46 UL 94V-0	Brass	Tin-Plated	X2016H
X2016WV-XX-N0SN	Nylon 66 UL 94V-0			

Poles	Dimensions (mm)		
	A	B	C
02	2.00	6.00	5.00
09	16.00	20.00	19.00
16	30.00	34.00	33.00
03	4.00	8.00	7.00
10	18.00	22.00	21.00
17	32.00	36.00	35.00
04	6.00	10.00	9.00
11	20.00	24.00	23.00
18	34.00	38.00	37.00
05	8.00	12.00	11.00
12	22.00	26.00	25.00
19	36.00	40.00	39.00
06	10.00	14.00	13.00
13	24.00	28.00	27.00
20	38.00	42.00	41.00
07	12.00	16.00	15.00
14	26.00	30.00	29.00
15	28.00	32.00	31.00

- ① Series No. X2016 W V X-XX XX -N0 SN XX
- ② Category: W-WAFER
- ③ Welding Board Angle: V-Straight 180°
- ④ Welding Way: Blank-DIP
- ⑤ Row No.-Pin No.: XX-02P~20P
- ⑥ Plug the Pin & Special No.: Blank-Without Kink
- ⑦ Material: 46 -PA46 94V-0 ; N0-PA66 94V-0 ;
- ⑧ Plating Category: SN-Bright Tin Plating
- ⑨ Color : Blank-Natural Color ; GY-Gray

- Specifications :
- Voltage rating: 100V AC / DC
  - Current rating: 2A AC / DC
  - Withstanding voltage: 800V AC/minute
  - Temperature range: -25°C~+85°C
  - Insulation resistance: ≥1000MΩ
  - Contact resistance: ≤10mΩ
  - After environmental testing: ≤20mΩ

DATE	SCALE: N/A	MODEL TYPE: X2016WV-XX-XSSN
DNSD	VIEW:	PART NO.:
DWN	DATE:	DWG NO.:
CHKD	DATE:	2.00 mm Crimp Style Connectors
APPD	DATE:	SIZE: A4

REVISION	SHEET	WEIGHT
A0	1/1	1.0g

For and on behalf of  
**XKB INDUSTRIAL PRECISION CO., LIMITED**  
 香港星坤工業精密有限公司

MARK	DESCRIPTION	DATE	REVISID	APPROVED	UNSPECIFIED TOLERANCES
△ X					L > 63 ± 0.5
△ X					16 < L ≤ 63 ± 0.4
△ X					4 < L ≤ 16 ± 0.3
					L ≤ 4 ± 0.2
					ANGULAR ± 5°

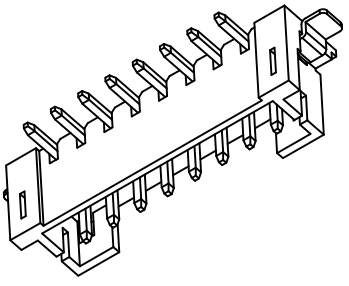
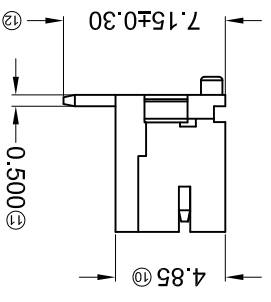
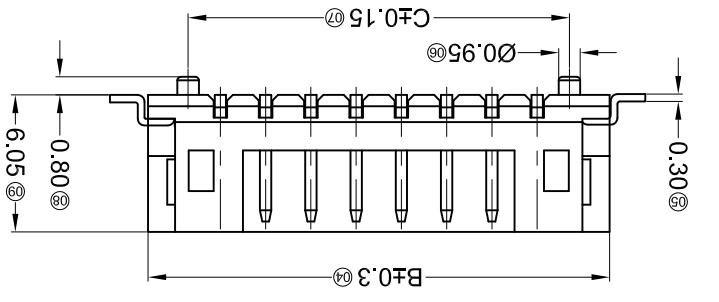
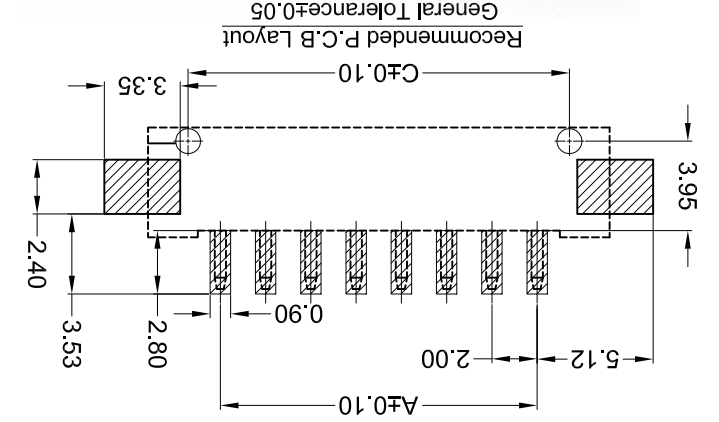
REVISIONS	DATE	REVISID	APPROVED	UNSPECIFIED TOLERANCES

DSND	DATE	SCALE: N/A	MODEL TYPE: X2016WVS-XXS-46SN

DWN	DATE	VIEW:	PART NO.:

CHKD	DATE	UNIT: mm	DWG NO.:
			2.00 mm Crimp Style Connectors

APPD	DATE	SIZE: A4	WEIGHT	REVISION
			1.0g	A0



Dimensions (mm)	A	B	C	Poles
02	2.00	8.40	4.85	09
03	4.00	10.40	6.85	10
04	6.00	12.40	8.85	11
05	8.00	14.40	10.85	12
06	10.00	16.40	12.85	13
07	12.00	18.40	14.85	14
08	14.00	20.40	16.85	15

Dimensions (mm)	A	B	C	Poles
02	22.40	18.85	16.00	09
03	24.40	20.85	18.00	10
04	26.40	22.85	20.00	11
05	28.40	24.85	22.00	12
06	30.40	26.85	24.00	13
07	32.40	28.85	26.00	14
08	34.40	30.85	28.00	15

PART NO	Material	Material (Pin and Solder Tabs)	Material (Pin and Solder Tabs)	Suitable XKB Terminal
X2016WVS-XXS-46SN	PA46 UL 94V-0	Brass	Thin-Plated	X2016H

- X2016 W V S-XX S -46 SN XX
- Series No.
  - Category: W-WAFER
  - Welding Board Angle: V-Straight 180°
  - Welding Way: S-SMT
  - Row No.-Pin No.: XX-02P~20P
  - Plug the Pin & Special No.:
  - S-With positioning column
  - Material: 46 -PA46 94V-0;
  - Plating Category: SN-Bright Tin Plating
  - Color: Blank-Natural Color

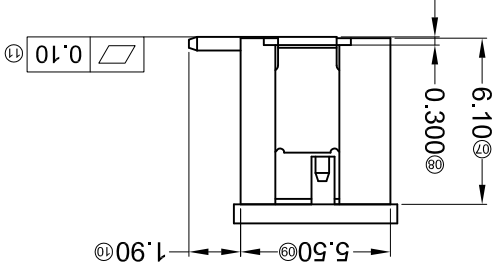
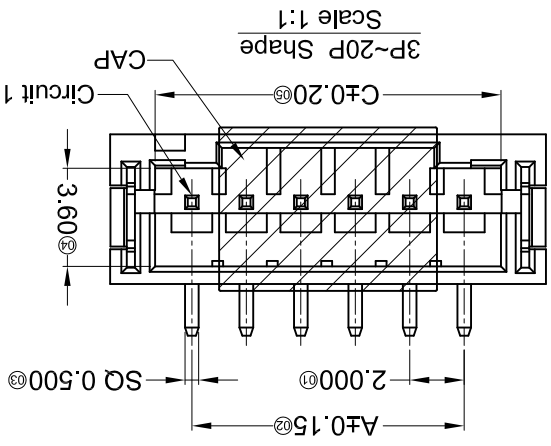
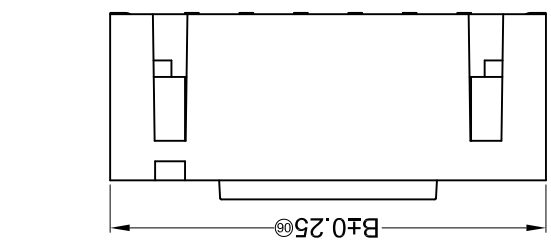
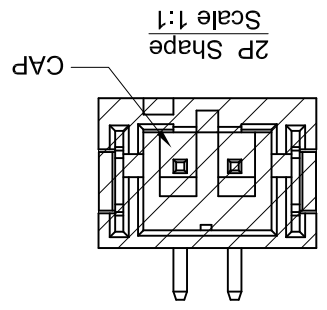
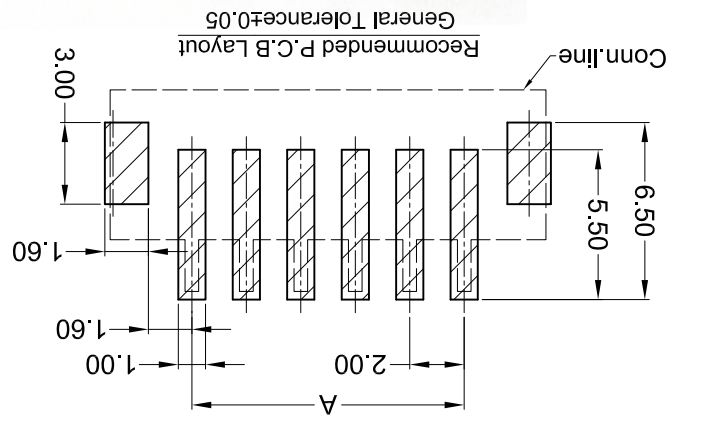
- Specifications:
- Voltage rating: 100V AC / DC
  - Current rating: 2A AC / DC
  - Withstanding voltage: 800V AC/minute
  - Temperature range: -25°C~+85°C
  - Insulation resistance: ≥1000MΩ
  - Contact resistance: ≤10mΩ
  - After environmental testing: ≤20mΩ

For and on behalf of  
**XKB INDUSTRIAL PRECISION CO., LIMITED**  
 香港星洲工業精密有限公司

REVISIONS  
 Authorized Signatures(s)

MARK	DESCRIPTION	DATE	REVISD	APPROVED	UNSPCIFIED TOLERANCES
△X					L > 63
△X					16 > L ≤ 63
△X					4 < L ≤ 16
△X					L ≤ 4
					ANGULAR
					±5°

DSND	DATE	SCALE: N/A	MODEL TYPE: 2016WVS-XX-XXXXXXX
DWN	DATE	VIEW:	PART NO.:
CHKD	DATE	UNIT: mm	DWG NO.:
APPD	DATE	SIZE: A4	REVISION
			1/1
			WEIGHT 1.0g
			SHEET
			REVISION

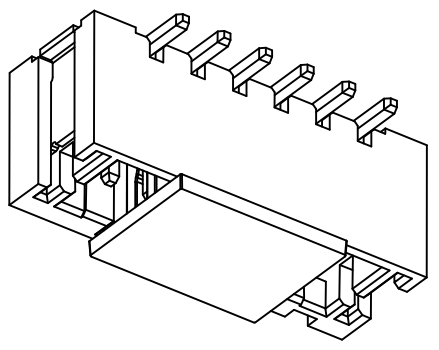


PART NO	Material	Material(Pin)	Finish(Pin)	Material(Solder Tabs)	Finish(Solder Tabs)	Material(Tin-Plated)	Finish(Tin-Plated)	Suitable XKB Terminal
X2016WVS-XX-9TWS	PA9T UL 94V-0	Brass	Gold-Flash	Phosphor Bronze	Gold-Flash	Mate	Tin-Plated	X2016H
X2016WVS-XX-9TV01	PA9T UL 94V-0	Brass	Gold-Flash	Phosphor Bronze	Gold-Flash	Mate	Tin-Plated	X2016H
X2016WVS-XX-LPSW	LCP UL 94V-0	Brass	Gold-Flash	Phosphor Bronze	Gold-Flash	Mate	Tin-Plated	X2016H
X2016WVS-XX-LPSWHF	LCP UL 94V-0	Brass	Gold-Flash	Phosphor Bronze	Gold-Flash	Mate	Tin-Plated	X2016H

Series No.	①	②	③	④	⑤	⑥	⑦	⑧	⑨	Dimensions (mm)
02	A	B	C	09	16.00	22.00	18.70	16	30.00	32.70
03	A	B	C	10	18.00	24.00	20.70	17	32.00	34.70
04	A	B	C	11	20.00	26.00	22.70	18	34.00	36.70
05	A	B	C	12	22.00	28.00	24.70	19	36.00	38.70
06	A	B	C	13	24.00	30.00	26.70	20	38.00	40.70
07	A	B	C	14	26.00	32.00	28.70			
08	A	B	C	15	28.00	34.00	30.70			

- ① Series No.
- ② Category: W-WAFER
- ③ Welding Board Angle: V-Straight 180°
- ④ Welding Way: S-SMT
- ⑤ Row No-Pin No.: XX-02P~20P
- ⑥ Plug the Pin & Special No.
- ⑦ Material: LP-LCP 94V-0; 9T-PA9T 94V-0
- ⑧ Plating Category: SW-Matte Tin Plating; V01- Gold Flash
- ⑨ Color: HF-Halogen Free;

- Specifications:
- Voltage rating: 100V AC / DC
  - Current rating: 2A AC / DC
  - Withstanding voltage: 800V AC/minute
  - Temperature range: -25°C~+85°C
  - Insulation resistance: ≥1000MΩ
  - Contact resistance: ≤10mΩ
  - After environmental testing: ≤20mΩ



For and on behalf of  
**KXB INDUSTRIAL PRECISION CO., LIMITED**  
 香港星坤工業精密有限公司

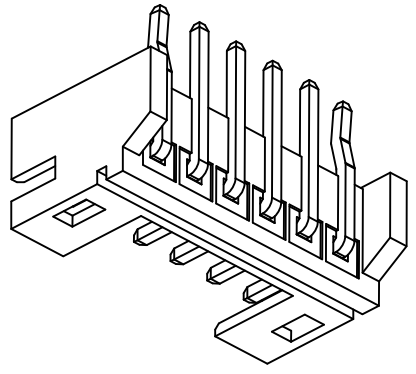
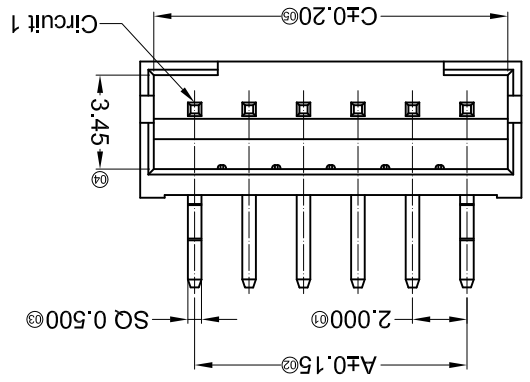
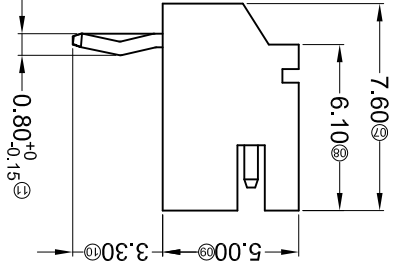
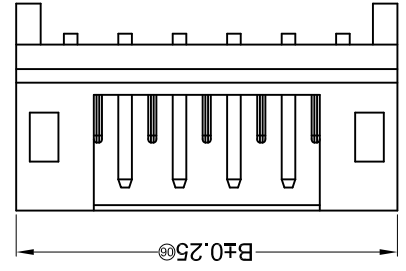
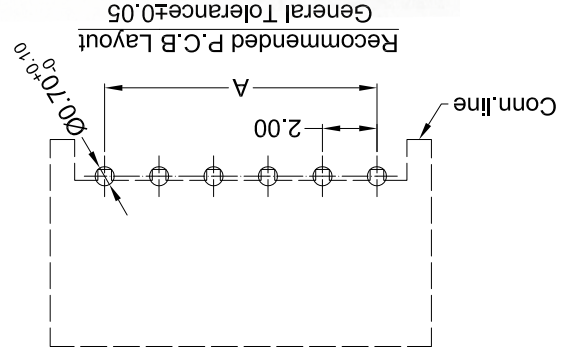
MARK	DESCRIPTION	DATE	REVISD	APPROVED	UNSPECIFIED TOLERANCES
△ X					L > 63
△ X					16 > L ≤ 63
△ X					4 < L ≤ 16
△ X					L ≤ 4
					ANGULAR
					±5°

REVISIONS	DATE	REVISD	APPROVED	UNSPECIFIED TOLERANCES
				L > 63
				16 > L ≤ 63
				4 < L ≤ 16
				L ≤ 4
				ANGULAR
				±5°

REVISION	SHEET	WEIGHT	SCALE: N/A
A0	1/1	1.0g	

MODEL TYPE:	SCALE: N/A	DATE	DATE	DATE	DATE	DATE	DATE
2016WR-XXK-N0SN							
PART NO.:	VIEW:						
2.00mm Crimp Style Connectors	UNIT: mm						
DWG NO.:	SIZE: A4						

PART NO	Material	Material (Pn)	Finish (Pn)	Suitable XKB Terminal	Poles	
					A	B
X2016WR-XXK-N0SN	Nylon 66 UL 94V-0	Brass	Tin-Plated	X2016H	16	16
					17	17
					18	18
					19	19
					20	20
					21	21
					22	22
					23	23
					24	24
					25	25
					26	26
					27	27
					28	28
					29	29
					30	30
					31	31
					32	32
					33	33
					34	34
					35	35
					36	36
					37	37
					38	38
					39	39
					40	40
					41	41
					42	42
					43	43
					44	44
					45	45
					46	46
					47	47
					48	48



① Series No. X2016 W R X-XX K -N0 SN XX  
 ② Category: W-WAFER  
 ③ Welding Board Angle: R-Right Angle 90°  
 ④ Welding Way: Blank-DIP  
 ⑤ Row No.-Pin No.: XX-02P~20P  
 ⑥ Plug the Pin & Special No.: K-kink, DIP=3.30mm  
 ⑦ Material: N0-PA66 94V-0  
 ⑧ Plating Category: SN-Bright Tin Plating  
 ⑨ Color: Blank-Natural Color

- Specifications:
- Voltage rating: 100V AC / DC
  - Current rating: 2A AC / DC
  - Withstanding voltage: 800V AC/minute
  - Temperature range: -25°C~+85°C
  - Insulation resistance: ≥1000MΩ
  - Contact resistance: ≤10mΩ
  - After environmental testing: ≤20mΩ

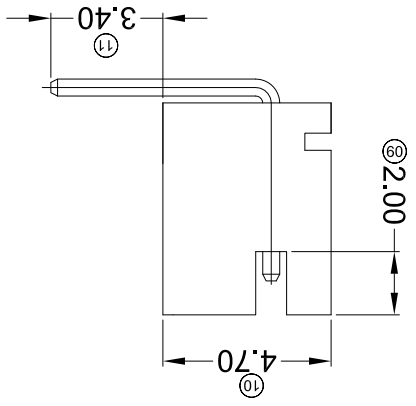
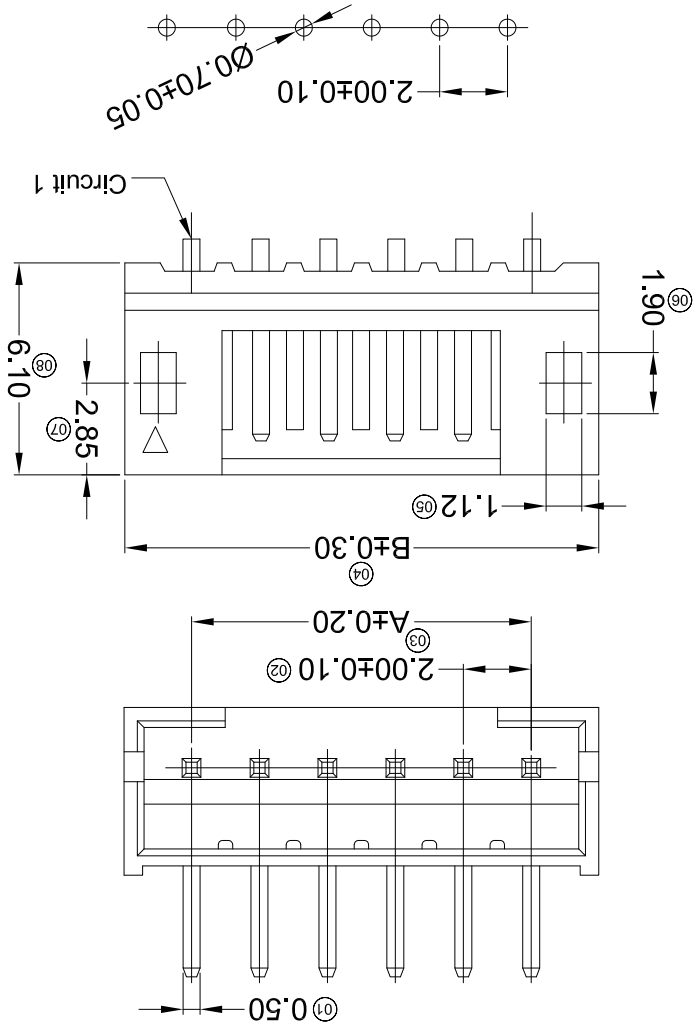


For and on behalf of  
**XKB INDUSTRIAL PRECISION CO., LIMITED**  
 香港星坤工業精密有限公司

MARK	DESCRIPTION	DATE	REVISED	APPROVED	UNSPECIFIED TOLERANCES
△ X					L > 63 ±0.5
△ X					16 < L ≤ 63 ±0.4
△ X					4 < L ≤ 16 ±0.3
△ X					L ≤ 4 ±0.2
					ANGULAR ±5°

REVISIONS	XKB INDUSTRIAL PRECISION CO., LIMITED	
DATE	APPD	DATE
REVISED	CHKD	DATE
APPROVED	DWN	DATE
	DSND	DATE

**Recommend PCB Layout**

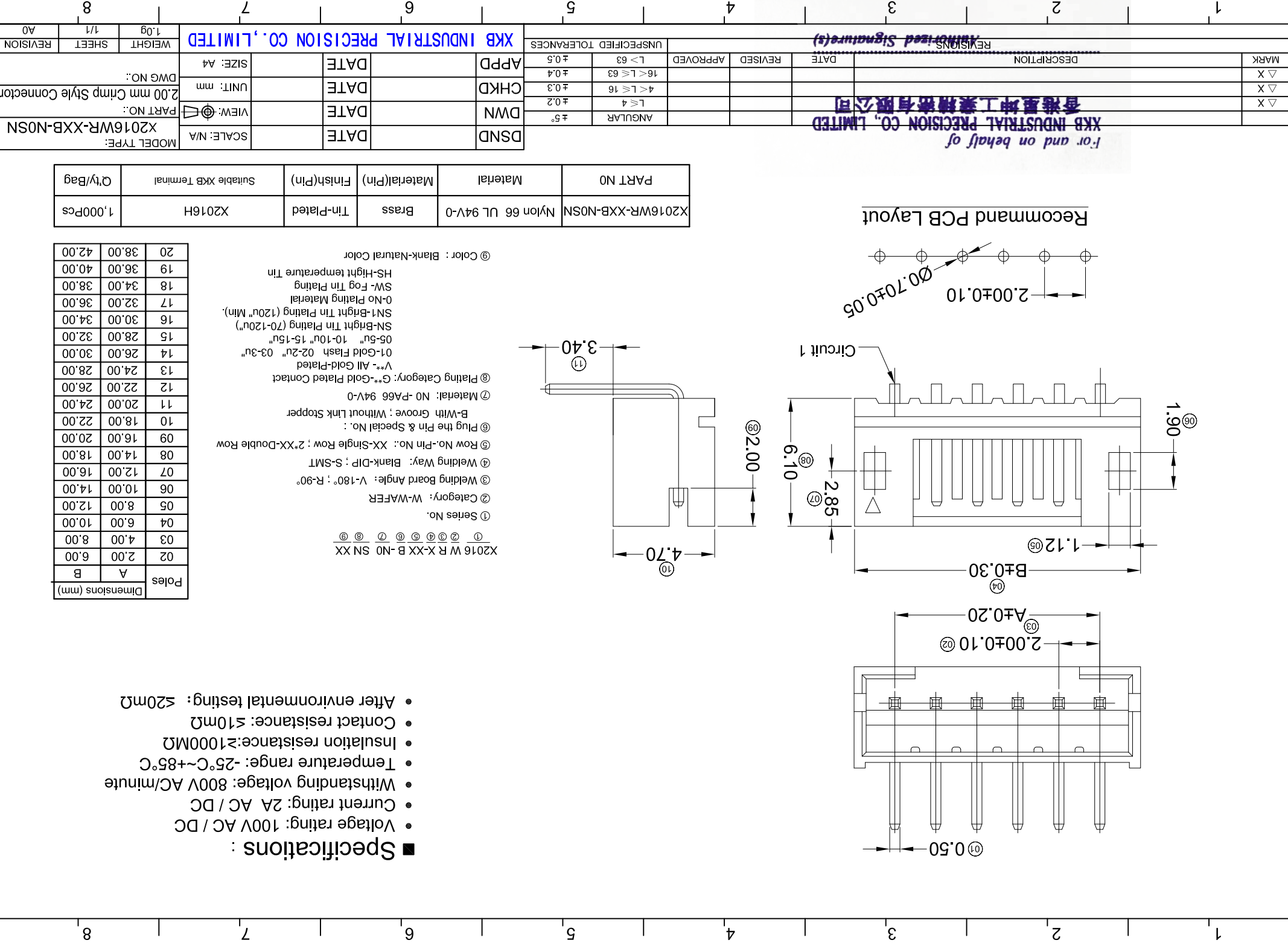


PART NO	Material	Material(Pin)	Finish(Pin)	Suitable XKB Terminal	Q'ty/Bag
X2016WR-XXB-N0SN	Nylon 66 UL 94V-0	Brass	Tin-Plated	XZ016H	1,000Pcs

Poles	A	B	Dimensions (mm)
02	2.00	6.00	
03	4.00	8.00	
04	6.00	10.00	
05	8.00	12.00	
06	10.00	14.00	
07	12.00	16.00	
08	14.00	18.00	
09	16.00	20.00	
10	18.00	22.00	
11	20.00	24.00	
12	22.00	26.00	
13	24.00	28.00	
14	26.00	30.00	
15	28.00	32.00	
16	30.00	34.00	
17	32.00	36.00	
18	34.00	38.00	
19	36.00	40.00	
20	38.00	42.00	

- ① Series No.
- ② Category: W-WAFER
- ③ Welding Board Angle: V-180°; R-90°
- ④ Welding Way: Blank-DIP; S-SMT
- ⑤ Row No.-Pin No.: XX-Single Row; 2\*XX-Double Row
- ⑥ Plug the Pin & Special No.:
- ⑦ Material: NO -PA66 94V-0
- ⑧ Plating Category: G\*\*-Gold Plated Contact
- V\*\* - All Gold-Plated
- 01-Gold Flash 02-2u" 03-3u"
- 05-5u" 10-10u" 15-15u"
- SN-Bright Tin Plating (70-120u")
- SN1-Bright Tin Plating (120u" Min).
- 0-No Plating Material
- SW-Fog Tin Plating
- HS-Hight temperature Tin
- ⑨ Color: Blank-Natural Color

- Specifications:**
- Voltage rating: 100V AC / DC
  - Current rating: 2A AC / DC
  - Withstanding voltage: 800V AC/minute
  - Temperature range: -25°C~+85°C
  - Insulation resistance: ≥1000MΩ
  - Contact resistance: ≤10mΩ
  - After environmental testing: ≤20mΩ



For and on behalf of  
**XKB INDUSTRIAL PRECISION CO., LIMITED**  
 香港星坤工業精密有限公司  
 REVISIONS  
 Authorized Signature(s)

MARK	DESCRIPTION	DATE	REVISED	APPROVED	UNSPECIFIED TOLERANCES
△ X					L > 63
△ X					16 > L ≤ 63
△ X					4 < L ≤ 16
△ X					L ≤ 4
					ANGULAR ±5°

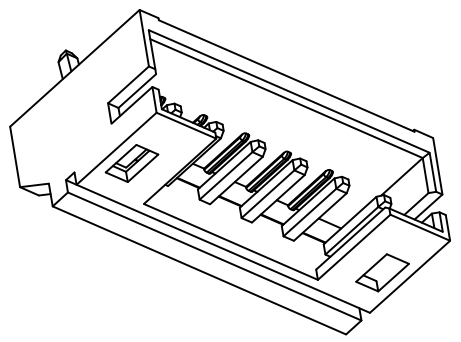
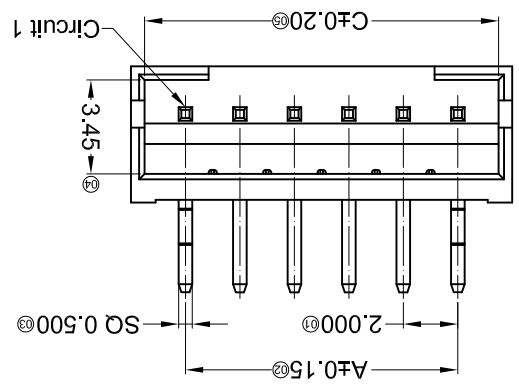
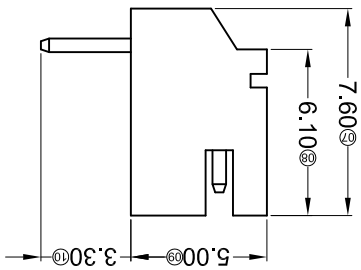
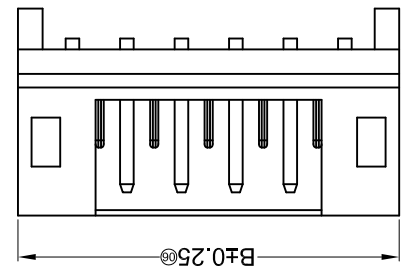
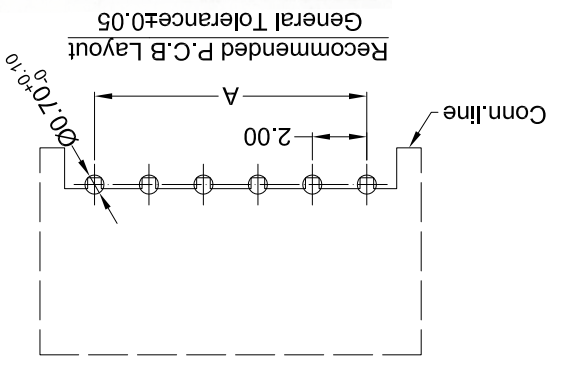
REVISION	SHEET	WEIGHT	1.0g	8
A0	1/1			

DSND	DATE	SCALE: N/A	MODEL TYPE: 2016WR-XX-NOSN

DWN	DATE	VIEW:	PART NO.: 2016WR-XX-NOSN

CHKD	DATE	UNIT: mm	DWG NO.:
			2.00 mm Crimp Style Connectors

APPD	DATE	SIZE: A4	XKB INDUSTRIAL PRECISION CO., LIMITED



X2016 W R X-XX XX -N0 SN XX  
 ① ② ③ ④ ⑤ ⑥ ⑦ ⑧ ⑨

- ① Series No.
- ② Category: W-WAFER
- ③ Welding Board Angle: R-Right Angle 90°
- ④ Welding Way: Blank-DIP
- ⑤ Row No.-Pin No.: XX-02P~20P
- ⑥ Plug the Pin & Special No.: Blank-Without kink
- ⑦ Material: NO-PA66 94V-0
- ⑧ Plating Category: SN-Bright Tin Plating
- ⑨ Color: Blank-Natural Color;

- Specifications :
- Voltage rating: 100V AC / DC
  - Current rating: 2A AC / DC
  - Withstanding voltage: 800V AC/minute
  - Temperature range: -25°C~+85°C
  - Insulation resistance: ≥100MΩ
  - Contact resistance: ≤10mΩ
  - After environmental testing: ≤20mΩ

PART NO	Material	Material(Pin)	Finish(Pin)	Suitable XKB Terminal
X2016WR-XX-NOSN	Nylon 66 UL 94V-0	Brass	Tin-Plated	X2016H

Poles	Dimensions (mm)		
	A	B	C
02	2.00	6.00	5.00
03	4.00	8.00	7.00
04	6.00	10.00	9.00
05	8.00	12.00	11.00
06	10.00	14.00	13.00
07	12.00	16.00	15.00
08	14.00	18.00	17.00
Poles	Dimensions (mm)		
	A	B	C
09	16.00	20.00	19.00
10	18.00	22.00	21.00
11	20.00	24.00	23.00
12	22.00	26.00	25.00
13	24.00	28.00	27.00
14	26.00	30.00	29.00
15	28.00	32.00	31.00

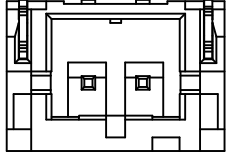
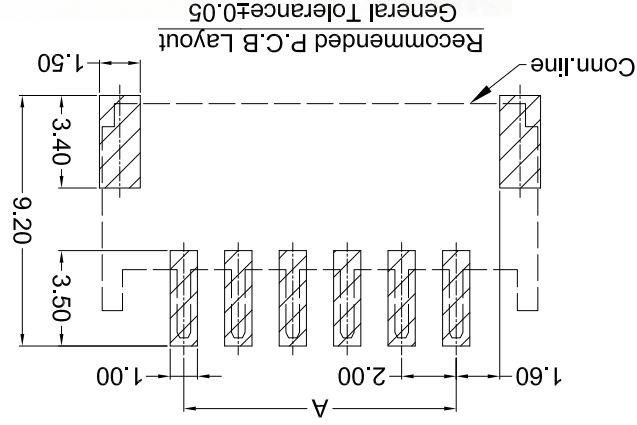
For and on behalf of  
**XKB INDUSTRIAL PRECISION CO., LIMITED**  
 香港星坤工業精密有限公司

MARK	DESCRIPTION	DATE	REVISED	APPROVED	UNSPECIFIED TOLERANCES
△ X					$L > 63$
△ X					$16 < L \leq 63$
△ X					$4 < L \leq 16$
△ X					$L \leq 4$
					ANGULAR
					$\pm 5^\circ$

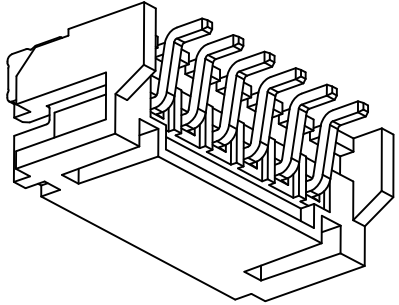
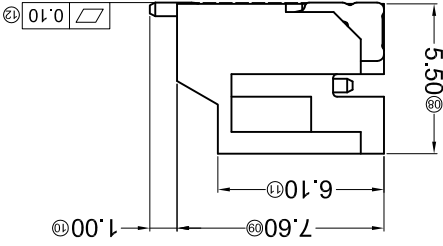
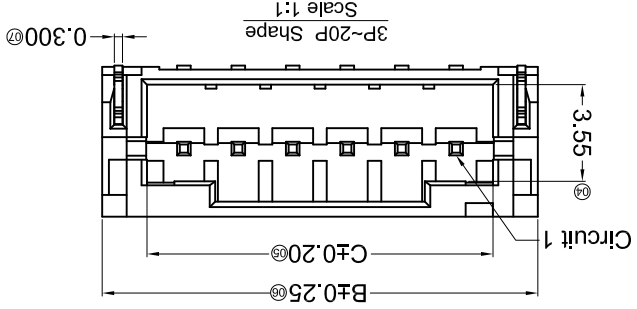
**XKB INDUSTRIAL PRECISION CO., LIMITED**

WEIGHT	1.0g
SHEET	1/1
REVISION	A0

APPD	DATE	DATE	DATE	DATE	DATE	DATE	DATE
CHKD	DATE	DATE	DATE	DATE	DATE	DATE	DATE
DWN	DATE	DATE	DATE	DATE	DATE	DATE	DATE
DSND	DATE	DATE	DATE	DATE	DATE	DATE	DATE
MODEL TYPE:	X2016WRS-XX-XXXXXXX	PART NO.:	2.00mm Crimp Style Connectors	DWG NO.:	SIZE: A4	UNIT: mm	SCALE: N/A



2P Shape  
Scale 1:1



PART NO	Material	Material (P/n)	Finish (P/n)	Material (Solder Tabs)	Material (Solder Tabs)	Suitable XKB Terminal
X2016WRS-XX-9TSM	PA9T UL 94V-0	Tin-Plated	Tin-Plated	Brass	Tin-Plated	Male
X2016WRS-XX-LP5WHF	LCP UL 94V-0	Tin-Plated	Tin-Plated	Brass	Tin-Plated	Male
X2016WRS-XX-LP5SWF	LCP UL 94V-0	Tin-Plated	Tin-Plated	Brass	Tin-Plated	Male
X2016WRS-XX-LP5SW	LCP UL 94V-0	Tin-Plated	Tin-Plated	Brass	Tin-Plated	Male
X2016WRS-XX-9T15BK	PA9T UL 94V-0	Gold15u"	Gold15u"	Brass	Tin-Plated	Male
X2016WRS-XX-9T15BK Black	PA9T UL 94V-0	Gold15u"	Gold15u"	Brass	Tin-Plated	Male
X2016WRS-XX-9T15SW	PA9T UL 94V-0	Tin-Plated	Tin-Plated	Brass	Tin-Plated	Male

Poles	Dimensions (mm)		Poles	Dimensions (mm)	
	A	B		A	B
02	2.00	8.00	09	16.00	22.00
03	4.00	10.00	10	18.00	24.00
04	6.00	12.00	11	20.00	26.00
05	8.00	14.00	12	22.00	28.00
06	10.00	16.00	13	24.00	30.00
07	12.00	18.00	14	26.00	32.00
08	14.00	20.00	15	28.00	34.00
				30.00	36.00
				32.00	38.00
				34.00	40.00
				36.00	42.00
				38.00	44.00
				40.00	46.00
				42.00	48.00
				44.00	50.00

X2016 W R S-XX X-XX XXX XX

- ① Series No.
- ② Category: W-WAFER
- ③ Welding Board Angle: R-Right Angle 90°
- ④ Welding Way: S-SMT
- ⑤ Row No.-Pin No.: XX-02P~20P
- ⑥ Plug the Pin & Special No.
- ⑦ Material: 9T-PA9T 94V-0 LP-LCP 94V-0
- ⑧ Plating Category: SW-Matte Tin Plating; V15-Gold 15u"
- ⑨ Color: HF-Halogen Free; Blank-Natural Color; BK-Black

- Voltage rating: 100V AC / DC
- Current rating: 2A AC / DC
- Withstanding voltage: 800V AC/minute
- Temperature range: -25°C~+85°C
- Insulation resistance:  $\geq 1000M\Omega$
- Contact resistance:  $\leq 10m\Omega$
- After environmental testing:  $\leq 20m\Omega$

■ Specifications :

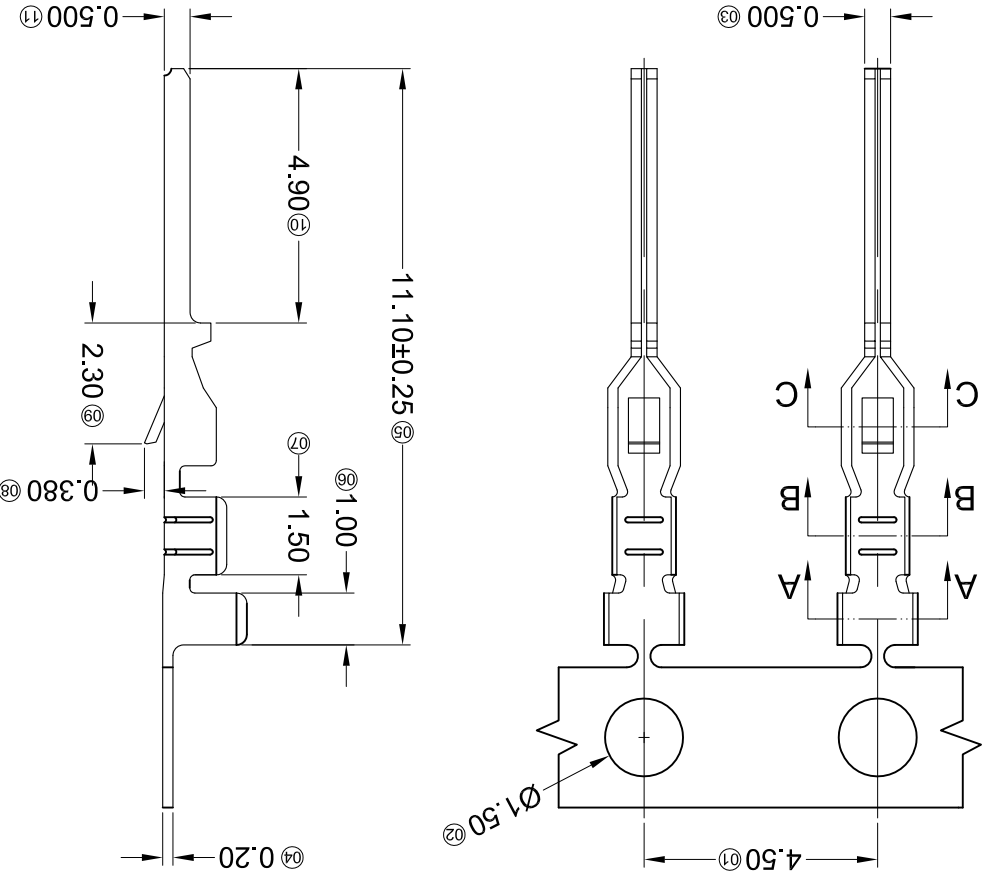
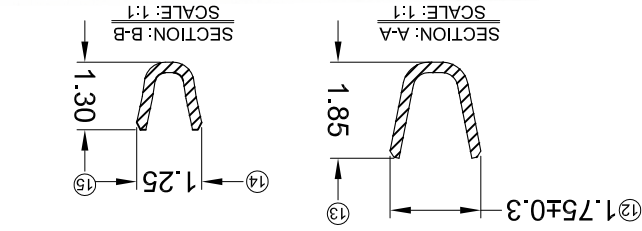
For and on behalf of  
**XKB INDUSTRIAL PRECISION CO., LIMITED**  
 香港星坤工業精密有限公司

REVISIONS		UNSPECIFIED TOLERANCES	
MARK	DESCRIPTION	APPROVED	REVISIED
△ X		L > 63	± 0.5
△ X		16 < L ≤ 63	± 0.4
△ X		4 < L ≤ 16	± 0.3
△ X		L ≤ 4	± 0.2
		ANGULAR	± 5°

REVISIONS		UNSPECIFIED TOLERANCES	
MARK	DESCRIPTION	APPROVED	REVISIED
△ X		L > 63	± 0.5
△ X		16 < L ≤ 63	± 0.4
△ X		4 < L ≤ 16	± 0.3
△ X		L ≤ 4	± 0.2
		ANGULAR	± 5°

DSND	DATE	SCALE: N/A	MODEL TYPE: X2016TM-PSN
DWN	DATE	VIEW:	PART NO.: 2.00 mm Crimp Style Connectors
CHKD	DATE	UNIT: mm	DWG NO.:
APPD	DATE	SIZE: A4	

PART NO	Material	Wire Range	Insulation O.D.	Finish	Suitable XKB Terminal
X2016TM-PSN	Phosphor Bronze	AWG#26-28	1.30mm(Max)	Stamping Before plating:30u" MIN, Nt.70u"Sn	X2016HF



■ Specifications :

- Voltage rating: 100V AC / DC
- Current rating: 2A AC / DC
- Withstanding voltage: 800V AC/minute
- Temperature range: -25°C~+85°C
- Insulation resistance: ≥1000MΩ
- Contact resistance: ≤10mΩ
- After environmental testing: ≤20mΩ

- ① Series Number
- ② Category: T-terminal
- ③ Shape: M-Male
- ④ Material: P-Phosphor bronze
- ⑤ Plating style: SN-Bright tin plating
- ⑥ Plating method: Blank-Stamping before plating
- ⑦ Mold No./Mark/Special No.

X2016 T M-P SN X - X  
 ① ② ③ ④ ⑤ ⑥ ⑦

For and on behalf of  
**KKB INDUSTRIAL PRECISION CO., LIMITED**  
 香港星坤工業精密有限公司

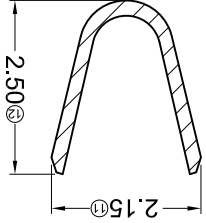
MARK	DESCRIPTION	DATE	REVISED	APPROVED	UNSPECIFIED TOLERANCES
△ X					L > 63 ± 0.5
△ X					16 < L ≤ 63 ± 0.4
△ X					4 < L ≤ 16 ± 0.3
△ X					L ≤ 4 ± 0.2
					ANGULAR ± 5°

REVISION	SHEET	WEIGHT	DATE	DATE	DATE	DATE	DATE
A0	1/1	1.0g					

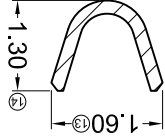
**KKB INDUSTRIAL PRECISION CO., LIMITED**

<b>DSND</b>	SCALE: N/A	VIEW:	PART NO.: X2016T-P-XXXX
<b>DWN</b>	DATE	DATE	DATE
<b>CHKD</b>	UNIT: mm	DATE	DATE
<b>APPD</b>	SIZE: A4	DATE	DATE

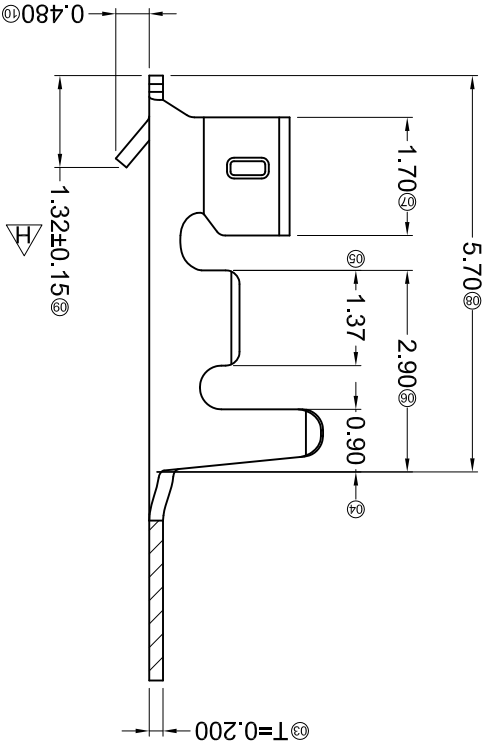
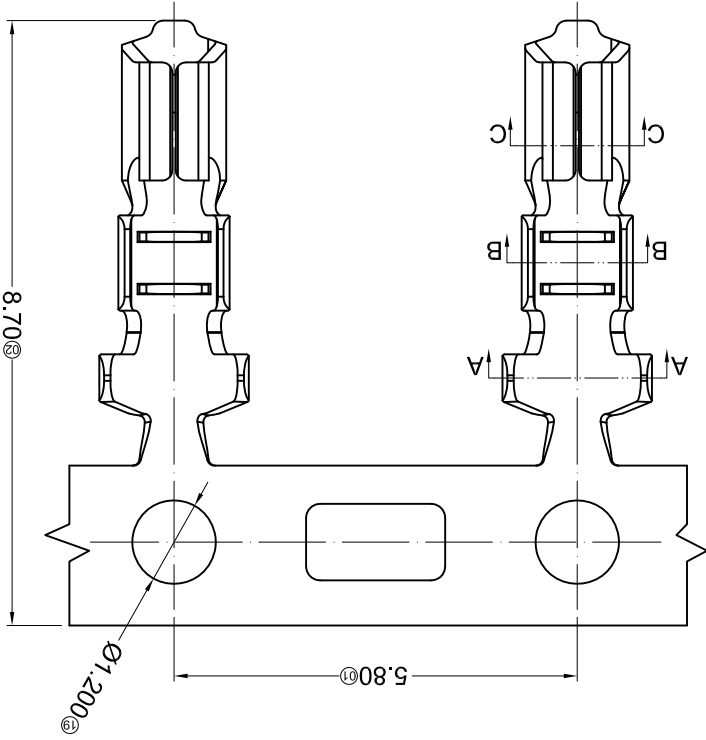
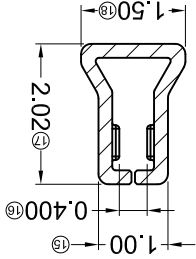
SECTION: A-A  
SCALE: 1:1



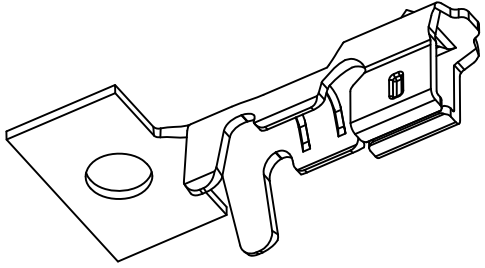
SECTION: B-B  
SCALE: 1:1



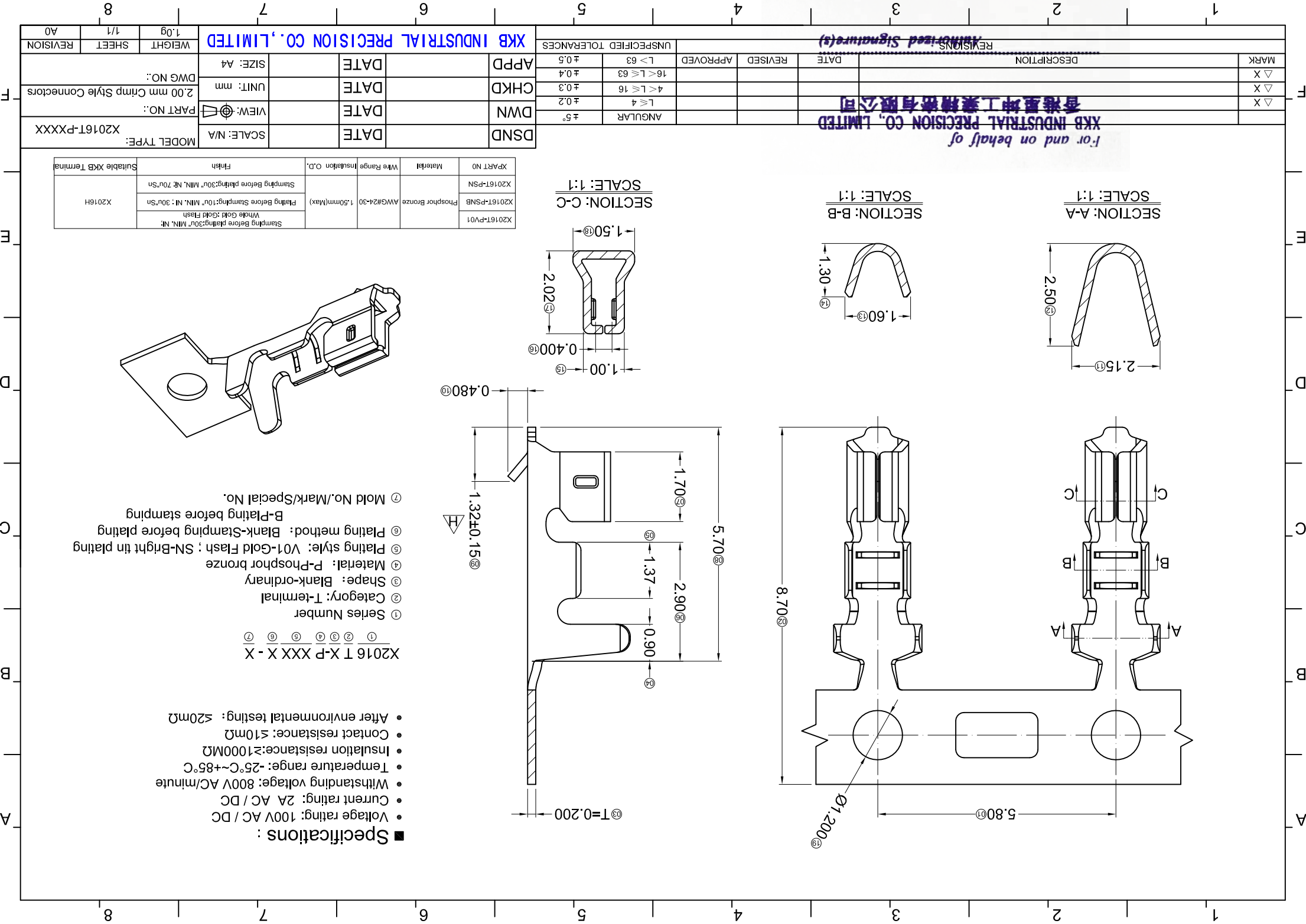
SECTION: C-C  
SCALE: 1:1



XPART NO	Material	Wire Range	Insulation O.D.	Finish	XPART NO
X2016T-PV01	Phosphor Bronze	AWG#24-30	1.50mm(Max)	Stamping Before plating:30u" MIN, Nf. 70u"Sn	X2016T-P-PSN
				Whole Gold: Gold Flash	X2016H
				Stamping Before plating:30u" MIN, Nf.	
				Plating Before Stamping:10u" MIN, Nf. : 30u"Sn	
				Stamping Before plating:30u" MIN, Nf. 70u"Sn	
				Plating Before Stamping:30u" MIN, Nf. 70u"Sn	
				Stamping Before plating:30u" MIN, Nf. 70u"Sn	



- Specifications :**
- Voltage rating: 100V AC / DC
  - Current rating: 2A AC / DC
  - Withstanding voltage: 800V AC/minute
  - Temperature range: -25°C~+85°C
  - Insulation resistance: ≥1000MΩ
  - Contact resistance: ≤10mΩ
  - After environmental testing: ≤20mΩ
- X2016 T X-P XXX X - X
- Series Number
  - Category: T-terminal
  - Shape: Blank-ordinary
  - Material: P-Phosphor bronze
  - Plating style: V01-Gold Flash ; SN-Bright tin plating
  - Plating method: Blank-stamping before plating
  - B-plating before stamping
  - Mold No./Mark/Special No.



For and on behalf of  
**KXB INDUSTRIAL PRECISION CO., LIMITED**  
 香港星坤工業精密有限公司

Authorized Signatures

MARK	DESCRIPTION	DATE	REVISED	APPROVED	UNSPECIFIED TOLERANCES
△X					L > 63 ±0.5
△X					16 < L ≤ 63 ±0.4
△X					4 < L ≤ 16 ±0.3
△X					L ≤ 4 ±0.2
					ANGULAR ±5°

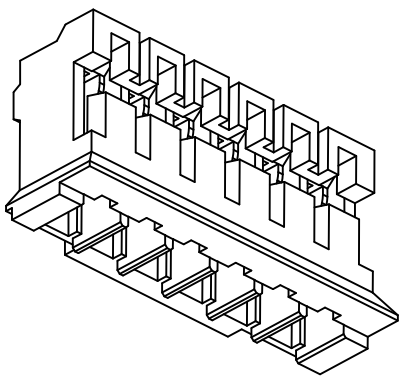
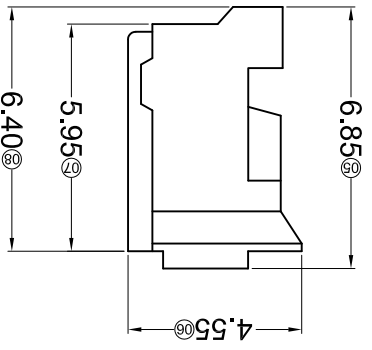
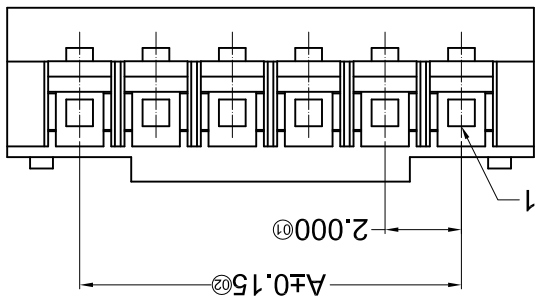
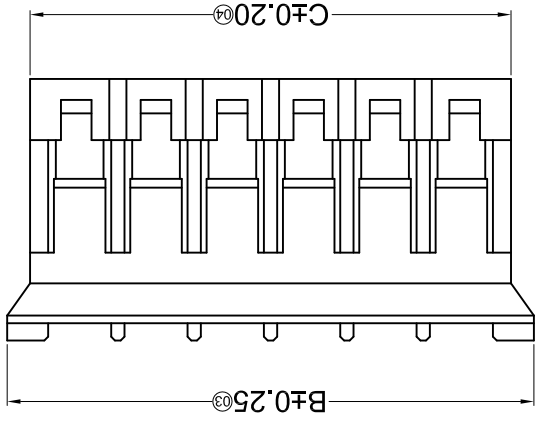
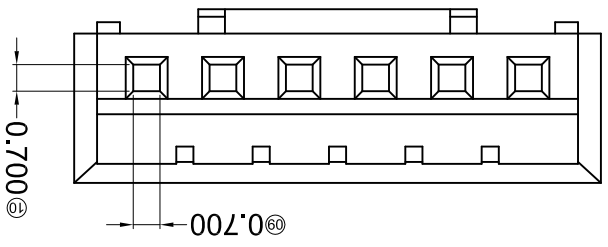
REVISION	SHEET	WEIGHT	1/1	1.0g	8
AO					

DSND	DATE	SCALE: N/A	MODEL TYPE: X2016H-XX-N0XX

DWN	DATE	VIEW:	PART NO.:

CHKD	DATE	UNIT: mm	DWG NO.:

APPD	DATE	SIZE: A4



PART NO	Material	Suitable XKB Terminal	Suitable XKB Terminal
X2016H-XX-N0	Nylon 66 UL 94V-0		Suitable XKB Terminal
X2016H-XX-N0HF	PA66 UL 94V-0 Halogen Free	X2016T	
X2016H-XX-N0C	Nylon 66 UL 94V-0		X2016W

Poles	Dimensions (mm)		
	A	B	C
02	2.00	5.80	4.60
03	4.00	7.80	6.60
04	6.00	9.80	8.60
05	8.00	11.80	10.60
06	10.00	13.80	12.60
07	12.00	15.80	14.60
08	14.00	17.80	16.60
09	16.00	19.80	18.60
10	18.00	21.80	20.60
11	20.00	23.80	22.60

- ① Series No.
  - ② Category: H-HSG
  - ③ Appearance type: Blank-Ordinary
  - ④ Row No.-Pin No.: XX-02P~20P
  - ⑤ Plug the Pin & special No.: Blank-Ordinary
  - ⑥ Material: N0-PA66 94V-0
  - ⑦ HF-Halogen Free
  - ⑧ C-Glowing Filament;
- X2016 H X-XX X-N0 HF-C

- Specifications:
- Voltage rating: 100V AC / DC
  - Current rating: 2A AC / DC
  - Withstanding voltage: 800V AC/minute
  - Temperature range: -25°C~+85°C
  - Insulation resistance: ≥1000MΩ
  - Contact resistance: ≤10mΩ
  - After environmental testing: ≤20mΩ

For and on behalf of  
**XKB INDUSTRIAL PRECISION CO., LIMITED**  
 香港星坤工業精密有限公司

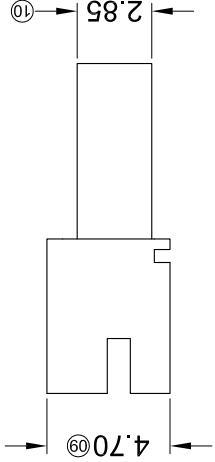
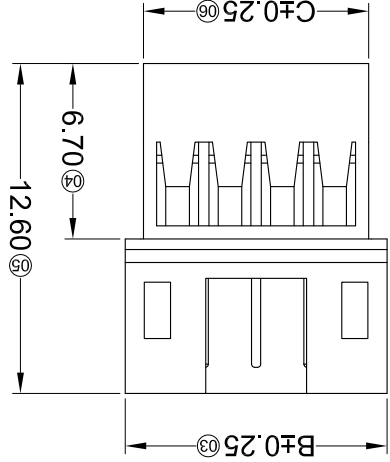
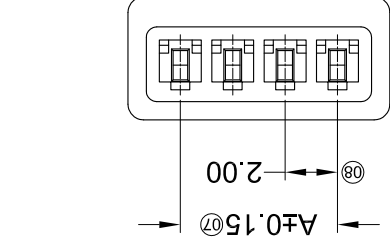
MARK	DESCRIPTION	DATE	REVISED	APPROVED	UNSPECIFIED TOLERANCES
△ X					L > 63
△ X					16 < L ≤ 63
△ X					4 < L ≤ 16
					L ≤ 4
					ANGULAR
					± 5°

REVISION	SHEET	WEIGHT	DATE	DATE	DATE	DATE	DATE
A0	1/1	1.0g					

**XKB INDUSTRIAL PRECISION CO., LIMITED**

DNSD	SCALE: N/A	DATE	DATE	DATE	DATE
DWN	VIEW:	DATE	DATE	DATE	DATE
CHKD	UNIT: mm	DATE	DATE	DATE	DATE
APPD	SIZE: A4	DATE	DATE	DATE	DATE

PART NO.: X2016HF-XX-N0XX  
 MODEL TYPE: X2016HF-XX-N0XX  
 PART NO.: 2.0mm Crimp Style Connectors  
 DWG NO.:



PART NO	Material	Suitable XKB Terminal	Suitable XKB Terminal
X2016HF-XX-N0	Nylon 66 UL 94V-0	X2016TM	Suitable XKB Terminal
X2016HF-XX-N0BK	Nylon 66 UL 94V-0 Black	X2016TM	Suitable XKB Terminal

Poles	Dimensions (mm)		
	A	B	C
02	2.00	6.00	4.60
03	4.00	8.00	6.60
04	6.00	10.00	8.60
05	8.00	12.00	10.60
06	10.00	14.00	12.60
07	12.00	16.00	14.60
08	14.00	18.00	16.60
09	16.00	20.00	18.60
10	18.00	22.00	20.60
11	20.00	24.00	22.60

- ① Series No.
- ② Category: H-HSG
- ③ Welding Board Angle: F-Female HSG
- ④ Row No.-Pin No.: XX-02P~20P
- ⑤ Plug the Pin & special No.:
- ⑥ Material: N0-PA66 94V-0;
- ⑦ Color: Blank-natural color; BK-Black

X2016 H F-XX X-N0 XX

- Specifications :
- Voltage rating: 125V AC / DC
  - Current rating: 1A AC / DC
  - Withstanding voltage: 250V AC/minute
  - Temperature range: -25°C~+85°C
  - Insulation resistance: ≥100MΩ
  - Contact resistance: ≤20mΩ
  - After environmental testing: ≤40mΩ

## X-ON Electronics

Largest Supplier of Electrical and Electronic Components

*Click to view similar products for [Headers & Wire Housings](#) category:*

*Click to view products by [XKB](#) manufacturer:*

Other Similar products are found below :

[95000-104TRLF](#) [10135584-644402LF](#) [DF62W-EP2022PCA](#) [95000-106TRLF](#) [DF62W-2022SCA](#) [DF62W-EP2022PC](#) [2203348](#) [DF62W-2022SC](#) [1084018](#) [1029039](#) [1084017](#) [802-10-012-10-002000](#) [1112640](#) [1112639](#) [891-007-9SS-BST1T](#) [000-34000](#) [0008550134](#) [0009482033](#) [0009507031](#) [57102-F02-18ULF](#) [57102-S06-03LF](#) [57202-S52-04LF](#) [PCN6-15S-2.5E](#) [0039019024](#) [58102-G61-06LF](#) [582553-1](#) [0009485154](#) [0009508121](#) [0022285053](#) [0050291907](#) [018731A](#) [LY20-4P-DT1-P1E-BR](#) [02.125.8002.8](#) [60101931](#) [60598-1 \(Cut Strip\)](#) [M1625-3R/100](#) [61062-3](#) [61082-181009](#) [CSU011177004](#) [636-1427](#) [638009-1](#) [641938-9](#) [641991-4](#) [644168-1](#) [644827-2](#) [647662-1](#) [65039-019ELF](#) [65692-001LF](#) [65781-018](#) [65781-047](#)