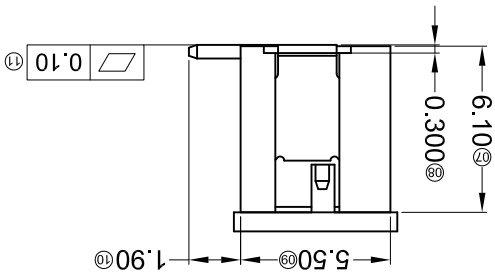
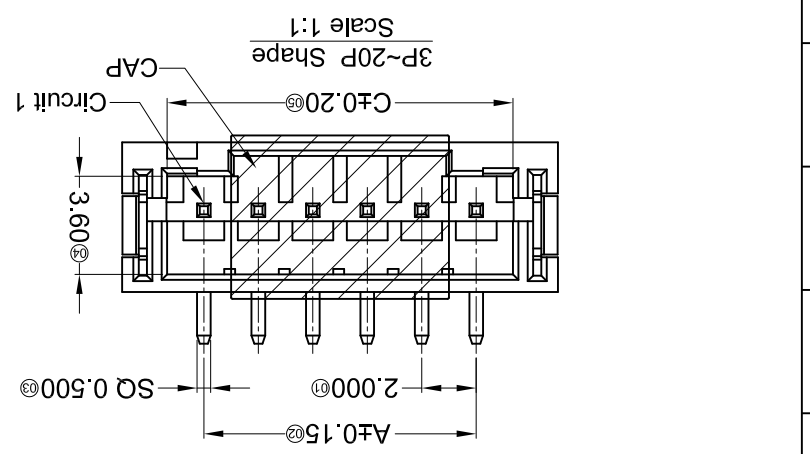
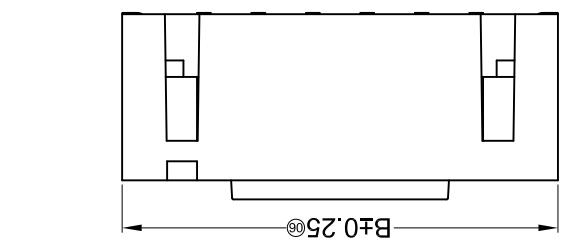
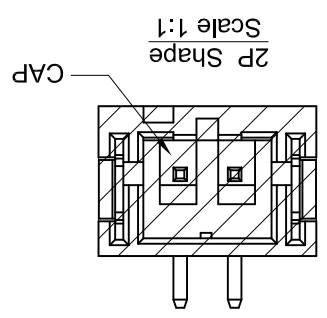
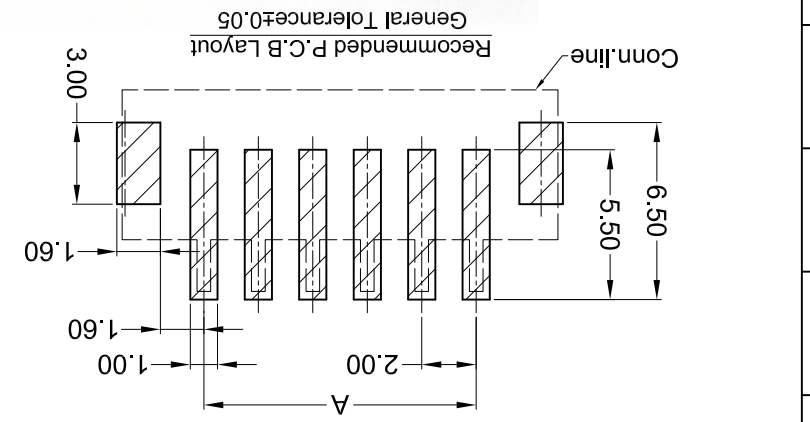


REVISIONS		APPROVED		REVISED		DATE		DESCRIPTION		MARK	
△	X										
△	X										
△	X										

*For and on behalf of*  
**XKB INDUSTRIAL PRECISION CO., LIMITED**  
香港星坤工業精密有限公司

*Authorized Signatures(s)*

DNSD	DATE	SCALE: N/A	MODEL TYPE: 2016WVS-XX-XXXXXXX
DWN	DATE	VIEW:	PART NO.:
CHKD	DATE	UNIT: mm	DWG NO.:
APPD	DATE	SIZE: A4	
		WEIGHT	REVISION
		1.0g	1/1
		<b>XKB INDUSTRIAL PRECISION CO., LIMITED</b>	

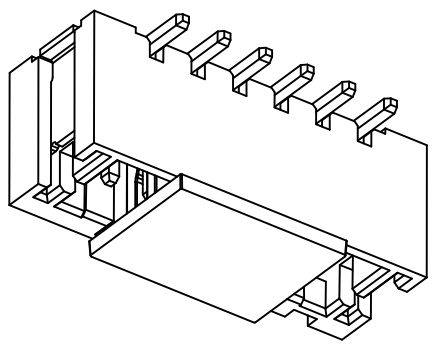


PART NO	Material	Material(Pin)	Finish(Pin)	Material (Solder Tabs)	Finish (Solder Tabs)	Suitable XKB Terminal
X2016WVS-XX-9TWS	PA9T UL 94V-0	Tin-Plated	Matte	Phosphor Bronze	Tin-Plated	X2016H
X2016WVS-XX-9TV01	LCP UL 94V-0	Gold-Flash	Matte	Phosphor Bronze	Gold-Flash	
X2016WVS-XX-LPSW	LCP UL 94V-0	Tin-Plated	Matte	Phosphor Bronze	Tin-Plated	
X2016WVS-XX-LPSWHF	Halogen Free	Tin-Plated	Matte	Phosphor Bronze	Tin-Plated	

Poles	Dimensions (mm)			Poles	Dimensions (mm)		
	A	B	C		A	B	C
02	2.00	8.00	4.70	09	16.00	22.00	18.70
03	4.00	10.00	6.70	10	18.00	24.00	20.70
04	6.00	12.00	8.70	11	20.00	26.00	22.70
05	8.00	14.00	10.70	12	22.00	28.00	24.70
06	10.00	16.00	12.70	13	24.00	30.00	26.70
07	12.00	18.00	14.70	14	26.00	32.00	28.70
08	14.00	20.00	16.70	15	28.00	34.00	30.70

- ① Series No.  
② Category: W-WAFER  
③ Welding Board Angle: V-Straight 180°  
④ Welding Way: S-SMT  
⑤ Row No-Pin No.: XX-02P~20P  
⑥ Plug the Pin & Special No.  
⑦ Material: LP-LCP 94V-0; 9T-PA9T 94V-0  
⑧ Plating Category: SW-Matte Tin Plating; V01- Gold Flash  
⑨ Color: HF-Halogen Free;

- Specifications :**
- Voltage rating: 100V AC / DC
  - Current rating: 2A AC / DC
  - Withstanding voltage: 800V AC/minute
  - Temperature range: -25°C~+85°C
  - Insulation resistance: ≥1000MΩ
  - Contact resistance: ≤10mΩ
  - After environmental testing: ≤20mΩ



## X-ON Electronics

Largest Supplier of Electrical and Electronic Components

*Click to view similar products for [Headers & Wire Housings](#) category:*

*Click to view products by [XKB](#) manufacturer:*

Other Similar products are found below :

[95000-104TRLF](#) [10135584-644402LF](#) [DF62W-EP2022PCA](#) [95000-106TRLF](#) [DF62W-2022SCA](#) [DF62W-EP2022PC](#) [2203348](#) [DF62W-2022SC](#) [1084018](#) [1029039](#) [1084017](#) [802-10-012-10-002000](#) [1112640](#) [1112639](#) [891-007-9SS-BST1T](#) [000-34000](#) [0008550134](#) [0009482033](#) [0009507031](#) [57102-F02-18ULF](#) [57102-S06-03LF](#) [57202-S52-04LF](#) [PCN6-15S-2.5E](#) [0039019024](#) [58102-G61-06LF](#) [582553-1](#) [0009485154](#) [0009508121](#) [0022285053](#) [0050291907](#) [018731A](#) [LY20-4P-DT1-P1E-BR](#) [02.125.8002.8](#) [60101931](#) [60598-1 \(Cut Strip\)](#) [M1625-3R/100](#) [61062-3](#) [61082-181009](#) [CSU011177004](#) [636-1427](#) [638009-1](#) [641938-9](#) [641991-4](#) [644168-1](#) [644827-2](#) [647662-1](#) [65039-019ELF](#) [65692-001LF](#) [65781-018](#) [65781-047](#)