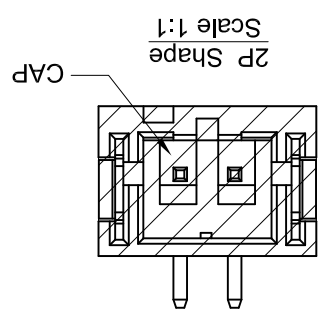
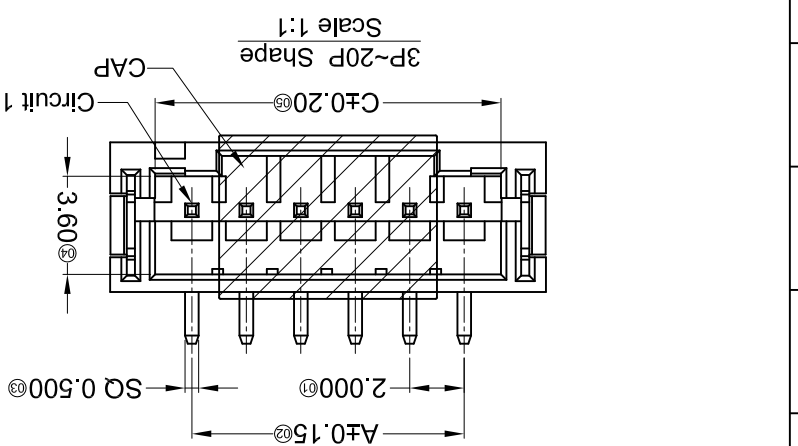
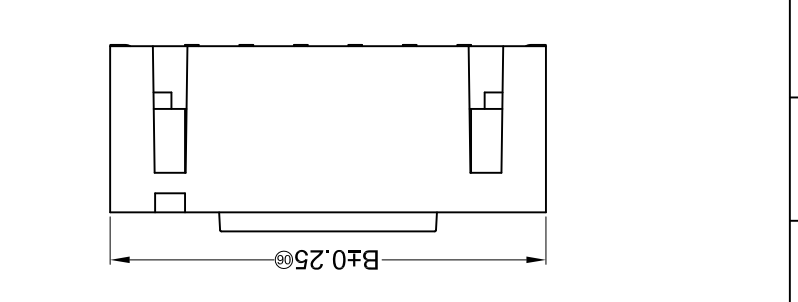
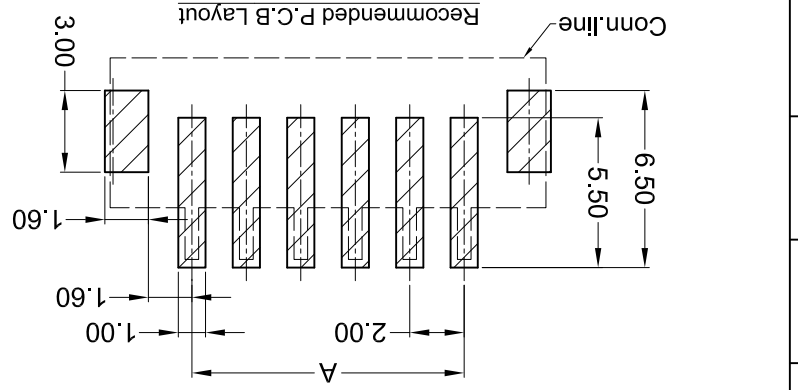


MARK		DESCRIPTION				DATE				REVISED				APPROVED				UNSPECIFIED TOLERANCES							
△	X													L > 63				L > 63							
△	X																	16 > L ≤ 63				16 > L ≤ 63			
△	X																	4 < L ≤ 16				4 < L ≤ 16			
△	X																	L ≤ 4				L ≤ 4			
																		ANGULAR				±5°			

For and on behalf of
KXB INDUSTRIAL PRECISION CO., LIMITED
 香港星坤工業精密有限公司
 REVISIONS SIGNATURE(S)

DMSD		DATE		SCALE: N/A		MODEL TYPE: 2016WVS-XX-XXXXXXX	
DWN		DATE		VIEW:		PART NO.:	
CHKD		DATE		UNIT: mm		DWG NO.:	
APPD		DATE		SIZE: A4		WEIGHT: 1.0g	
REVISION		SHEET		1/1		AO	

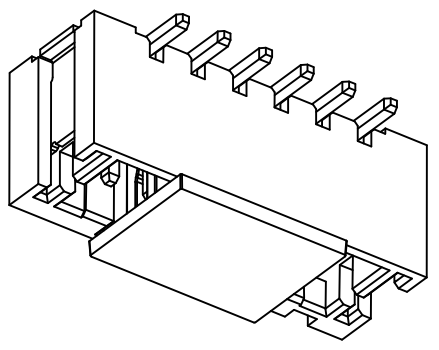


PART NO	Material	Material(Pin)	Finish(Pin)	Material(Solder Tabs)	Finish(Solder Tabs)	Suitable XKB Terminal
X2016WVS-XX-9TWSW	PA9T UL 94V-0	Tin-Plated	Matte		Tin-Plated	
X2016WVS-XX-9TVO1	PA9T UL 94V-0	Gold-Flash	Matte	Phosphor Bronze	Gold-Flash	
X2016WVS-XX-LPSW	LCP UL 94V-0	Tin-Plated	Matte		Tin-Plated	X2016H
X2016WVS-XX-LPSWHF	LCP UL 94V-0	Halogen Free	Matte		Tin-Plated	

Poles	Dimensions (mm)			Poles	Dimensions (mm)		
	A	B	C		A	B	C
02	2.00	8.00	4.70	09	16.00	22.00	18.70
03	4.00	10.00	6.70	10	18.00	24.00	20.70
04	6.00	12.00	8.70	11	20.00	26.00	22.70
05	8.00	14.00	10.70	12	22.00	28.00	24.70
06	10.00	16.00	12.70	13	24.00	30.00	26.70
07	12.00	18.00	14.70	14	26.00	32.00	28.70
08	14.00	20.00	16.70	15	28.00	34.00	30.70

- ① Series No.
 ② Category: W-WAFER
 ③ Welding Board Angle: V-Straight 180°
 ④ Welding Way: S-SMT
 ⑤ Row No-Pin No.: XX-02P~20P
 ⑥ Plug the Pin & Special No.
 ⑦ Material: LP-LCP 94V-0; 9T-PA9T 94V-0
 ⑧ Plating Category: SW-Matte Tin Plating; V01-Gold Flash
 ⑨ Color: HF-Halogen Free;

- Specifications:
 • Voltage rating: 100V AC / DC
 • Current rating: 2A AC / DC
 • Withstanding voltage: 800V AC/minute
 • Temperature range: -25°C~+85°C
 • Insulation resistance: ≥1000MΩ
 • Contact resistance: ≤10mΩ
 • After environmental testing: ≤20mΩ



X-ON Electronics

Largest Supplier of Electrical and Electronic Components

Click to view similar products for [Headers & Wire Housings](#) category:

Click to view products by [XKB](#) manufacturer:

Other Similar products are found below :

[95000-104TRLF](#) [10135584-644402LF](#) [DF62W-EP2022PCA](#) [95000-106TRLF](#) [DF62W-2022SCA](#) [DF62W-EP2022PC](#) [2203348](#) [DF62W-2022SC](#) [1084018](#) [1029039](#) [1084017](#) [802-10-012-10-002000](#) [1112640](#) [1112639](#) [891-007-9SS-BST1T](#) [000-34000](#) [0008550134](#) [0009482033](#) [0009507031](#) [57102-F02-18ULF](#) [57102-S06-03LF](#) [57202-S52-04LF](#) [PCN6-15S-2.5E](#) [0039019024](#) [58102-G61-06LF](#) [582553-1](#) [0009485154](#) [0009508121](#) [0022285053](#) [0050291907](#) [018731A](#) [LY20-4P-DT1-P1E-BR](#) [02.125.8002.8](#) [60101931](#) [60598-1 \(Cut Strip\)](#) [M1625-3R/100](#) [61062-3](#) [61082-181009](#) [CSU011177004](#) [636-1427](#) [638009-1](#) [641938-9](#) [641991-4](#) [644168-1](#) [644827-2](#) [647662-1](#) [65039-019ELF](#) [65692-001LF](#) [65781-018](#) [65781-047](#)