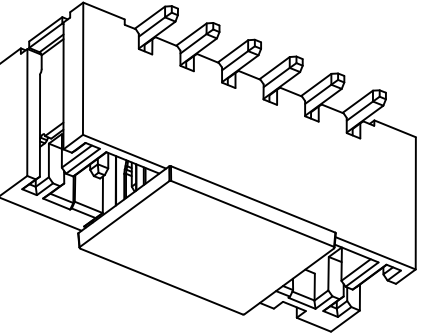
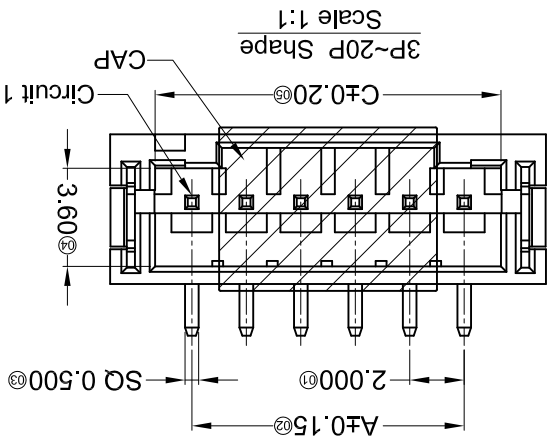
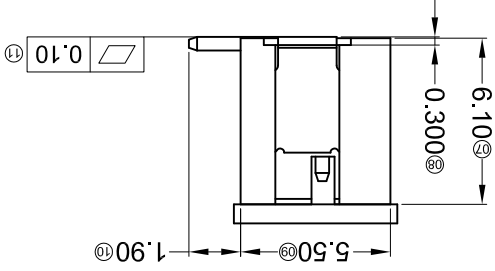
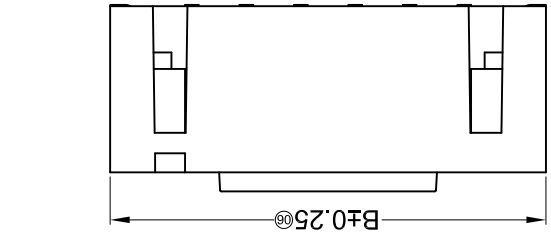
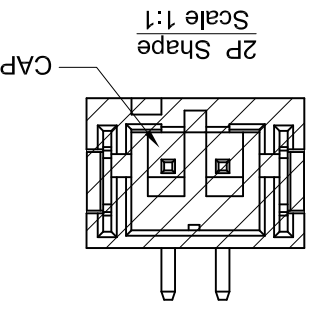
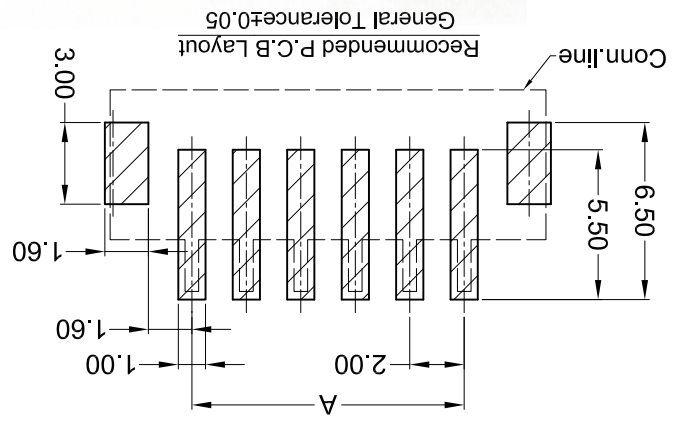


For and on behalf of
XKB INDUSTRIAL PRECISION CO., LIMITED
 香港星坤工業精密有限公司

REVISIONS
 Authorized Signatures(s)

MARK	DESCRIPTION	DATE	REVISED	APPROVED	UNSPECIFIED TOLERANCES
△ X					L > 63
△ X					16 > L ≤ 63
△ X					4 < L ≤ 16
△ X					L ≤ 4
					ANGULAR
					±5°

DATE	DATE	DATE	DATE	DATE	DATE	DATE	DATE	DATE	DATE
SCALE: N/A	MODEL TYPE: 2016WVS-XX-XXXXXXX	PART NO.: 2.00mm Crimp Style Connectors	DWG NO.:	SIZE: A4	WEIGHT: 1.0g	SHEET: 1/1	REVISION: A0		
DNSD	DWN	CHKD	APPD						



Dimensions (mm)	Dimensions (mm)	Dimensions (mm)	Dimensions (mm)	Dimensions (mm)	Dimensions (mm)	Dimensions (mm)	Dimensions (mm)	Dimensions (mm)	Dimensions (mm)
02	2.00	8.00	4.70	09	16.00	22.00	18.70	16	30.00
03	4.00	10.00	6.70	10	18.00	24.00	20.70	17	32.00
04	6.00	12.00	8.70	11	20.00	26.00	22.70	18	34.00
05	8.00	14.00	10.70	12	22.00	28.00	24.70	19	36.00
06	10.00	16.00	12.70	13	24.00	30.00	26.70	20	38.00
07	12.00	18.00	14.70	14	26.00	32.00	28.70		
08	14.00	20.00	16.70	15	28.00	34.00	30.70		

PART NO	Material	Material(Pin)	Finish(Pin)	Material (Solder Tabs)	Finish (Solder Tabs)	Suitable XKB Terminal
X2016WVS-XX-LP5WHF	LCP UL 94V-0	Tin-Plated	Halogen Free	Phosphor Bronze	Matte	X2016H
X2016WVS-XX-LP5W	LCP UL 94V-0	Tin-Plated	Halogen Free	Phosphor Bronze	Matte	X2016H
X2016WVS-XX-9T-V01	PA9T UL 94V-0	Brass	Gold-Flash	Phosphor Bronze	Gold-Flash	X2016H
X2016WVS-XX-9T-V01	PA9T UL 94V-0	Brass	Gold-Flash	Phosphor Bronze	Gold-Flash	X2016H
X2016WVS-XX-9T-V01	PA9T UL 94V-0	Brass	Gold-Flash	Phosphor Bronze	Gold-Flash	X2016H
X2016WVS-XX-9T-V01	PA9T UL 94V-0	Brass	Gold-Flash	Phosphor Bronze	Gold-Flash	X2016H
X2016WVS-XX-9T-V01	PA9T UL 94V-0	Brass	Gold-Flash	Phosphor Bronze	Gold-Flash	X2016H
X2016WVS-XX-9T-V01	PA9T UL 94V-0	Brass	Gold-Flash	Phosphor Bronze	Gold-Flash	X2016H
X2016WVS-XX-9T-V01	PA9T UL 94V-0	Brass	Gold-Flash	Phosphor Bronze	Gold-Flash	X2016H
X2016WVS-XX-9T-V01	PA9T UL 94V-0	Brass	Gold-Flash	Phosphor Bronze	Gold-Flash	X2016H

- ① Series No.
 ② Category: W-WAFER
 ③ Welding Board Angle: V-Straight 180°
 ④ Welding Way: S-SMT
 ⑤ Row No-Pin No.: XX-02P~20P
 ⑥ Plug the Pin & Special No.
 ⑦ Material: LP-LCP 94V-0; 9T-PA9T 94V-0
 ⑧ Plating Category: SW-Matte Tin Plating; V01- Gold Flash
 ⑨ Color: HF-Halogen Free;

- Specifications:
 • Voltage rating: 100V AC / DC
 • Current rating: 2A AC / DC
 • Withstanding voltage: 800V AC/minute
 • Temperature range: -25°C~+85°C
 • Insulation resistance: ≥1000MΩ
 • Contact resistance: ≤10mΩ
 • After environmental testing: ≤20mΩ

X2016 W V S-XX X-XX XXX XX

X-ON Electronics

Largest Supplier of Electrical and Electronic Components

Click to view similar products for [Headers & Wire Housings](#) category:

Click to view products by [XKB](#) manufacturer:

Other Similar products are found below :

[95000-104TRLF](#) [10135584-644402LF](#) [DF62W-EP2022PCA](#) [95000-106TRLF](#) [DF62W-2022SCA](#) [DF62W-EP2022PC](#) [2203348](#) [DF62W-2022SC](#) [1084018](#) [1029039](#) [1084017](#) [802-10-012-10-002000](#) [1112640](#) [1112639](#) [891-007-9SS-BST1T](#) [000-34000](#) [0008550134](#) [0009482033](#) [0009507031](#) [57102-F02-18ULF](#) [57102-S06-03LF](#) [57202-S52-04LF](#) [PCN6-15S-2.5E](#) [0039019024](#) [58102-G61-06LF](#) [582553-1](#) [0009485154](#) [0009508121](#) [0022285053](#) [0050291907](#) [018731A](#) [LY20-4P-DT1-P1E-BR](#) [02.125.8002.8](#) [60101931](#) [60598-1 \(Cut Strip\)](#) [M1625-3R/100](#) [61062-3](#) [61082-181009](#) [CSU011177004](#) [636-1427](#) [638009-1](#) [641938-9](#) [641991-4](#) [644168-1](#) [644827-2](#) [647662-1](#) [65039-019ELF](#) [65692-001LF](#) [65781-018](#) [65781-047](#)