

For and on behalf of
XKB INDUSTRIAL PRECISION CO., LIMITED
 香港星洲工業精密有限公司

MARK	DESCRIPTION	DATE	REVISED	APPROVED	UNSPECIFIED TOLERANCES	
					L > 63	± 0.5
△ X					16 < L ≤ 63	± 0.4
△ X					4 < L ≤ 16	± 0.3
△ X					L ≤ 4	± 0.2
					ANGULAR	± 5°

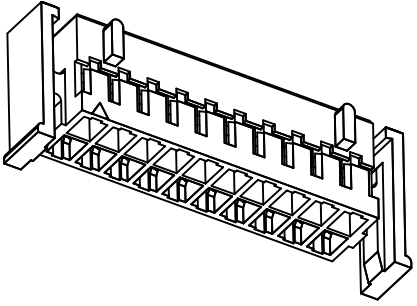
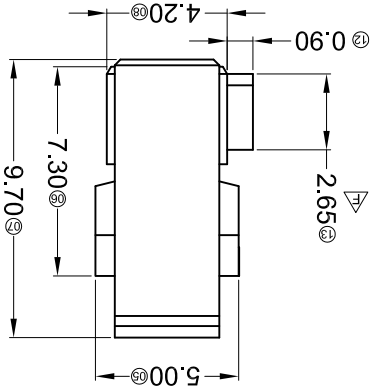
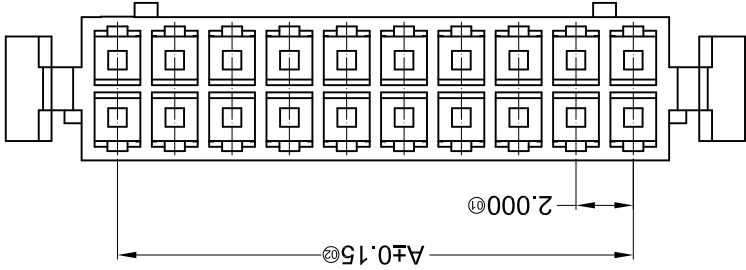
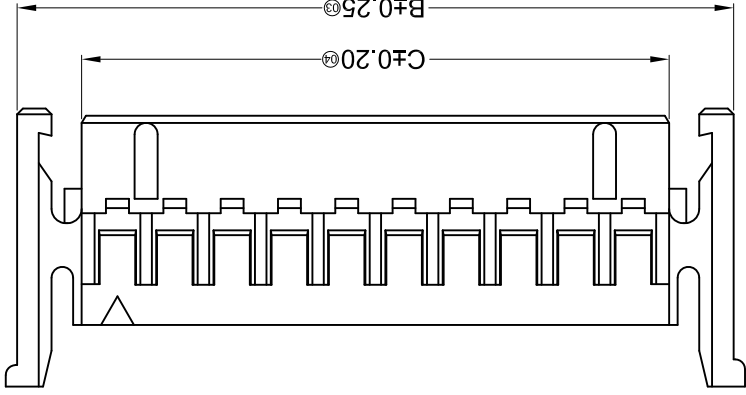
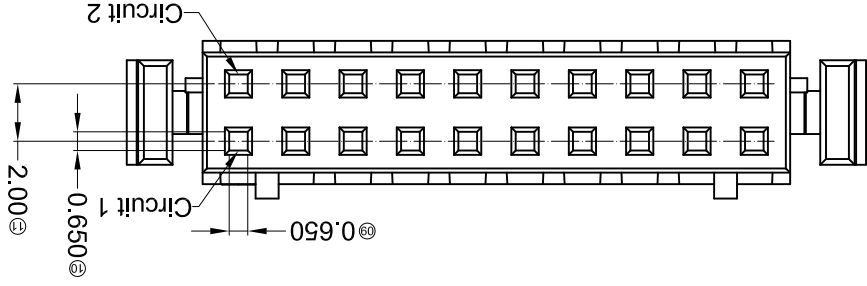
REVISIONS		UNSPECIFIED TOLERANCES	
DATE	REVISION	APPROVED	REVISED

MARK	DESCRIPTION	DATE	DATE	DATE	DATE

APPD	CHKD	DWN	DSND

SIZE: A4	UNIT: mm	VIEW:	SCALE: N/A

WEIGHT	SHEET	REVISION
1.0g	1/1	A0



- X2026 H X-2*XX AH-N0 XX**
- ① Series No.
 - ② Category: H-HSG
 - ③ Appearance type: Blank-Ordinary
 - ④ Row No.-Pin No.: 2*XX-2*02P~2*20P
 - ⑤ Plug the Pin & special No.:
 - ⑥ Material: N0-PA66 94V-0
 - ⑦ Color: Blank-Natural Color

- Specifications :**
- Voltage rating: 250V AC / DC
 - Current rating: 3A AC / DC
 - Withstanding voltage: 800V AC/minute
 - Temperature range: -25°C~+85°C
 - Insulation resistance: ≥1000MΩ
 - Contact resistance: ≤10mΩ
 - After environmental testing: ≤20mΩ

Poles	Dimensions (mm)		
	A	B	C
2*02	2.00	9.00	4.50
2*03	4.00	11.00	6.50
2*04	6.00	13.00	8.50
2*05	8.00	15.00	10.50
2*06	10.00	17.00	12.50
2*07	12.00	19.00	14.50
2*08	14.00	21.00	16.50
2*09	16.00	23.00	18.50
2*10	18.00	25.00	20.50
2*11	20.00	27.00	22.50

PART NO	Material	Suitable XKB Terminal	Suitable XKB Terminal
X2026H-2*XXAH-N0	Nylon 66 UL 94V-0	X2026T	X2026VV-A, X2026WR-A

X-ON Electronics

Largest Supplier of Electrical and Electronic Components

Click to view similar products for [Headers & Wire Housings](#) category:

Click to view products by [XKB](#) manufacturer:

Other Similar products are found below :

[95000-104TRLF](#) [10135584-644402LF](#) [DF62W-EP2022PCA](#) [95000-106TRLF](#) [DF62W-2022SCA](#) [DF62W-EP2022PC](#) [2203348](#) [DF62W-2022SC](#) [1084018](#) [1029039](#) [1084017](#) [802-10-012-10-002000](#) [1112640](#) [1112639](#) [891-007-9SS-BST1T](#) [000-34000](#) [0008550134](#) [0009482033](#) [0009507031](#) [57102-F02-18ULF](#) [57102-S06-03LF](#) [57202-S52-04LF](#) [PCN6-15S-2.5E](#) [0039019024](#) [58102-G61-06LF](#) [582553-1](#) [0009485154](#) [0009508121](#) [0022285053](#) [0050291907](#) [018731A](#) [LY20-4P-DT1-P1E-BR](#) [02.125.8002.8](#) [60101931](#) [60598-1 \(Cut Strip\)](#) [M1625-3R/100](#) [61062-3](#) [61082-181009](#) [CSU011177004](#) [636-1427](#) [638009-1](#) [641938-9](#) [641991-4](#) [644168-1](#) [644827-2](#) [647662-1](#) [65039-019ELF](#) [65692-001LF](#) [65781-018](#) [65781-047](#)