

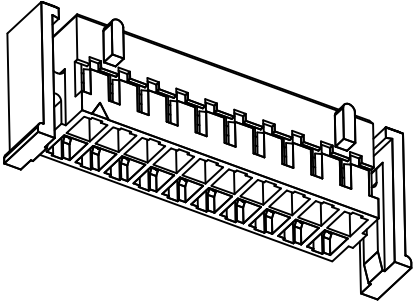
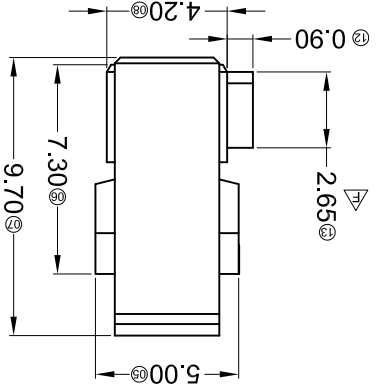
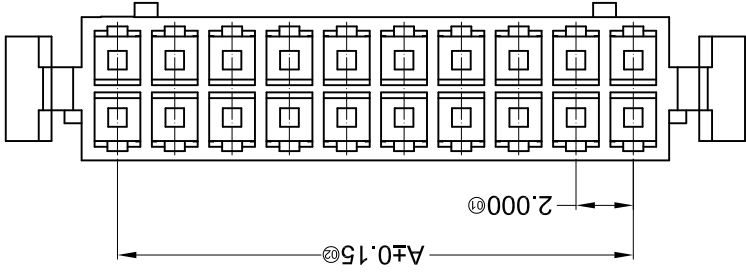
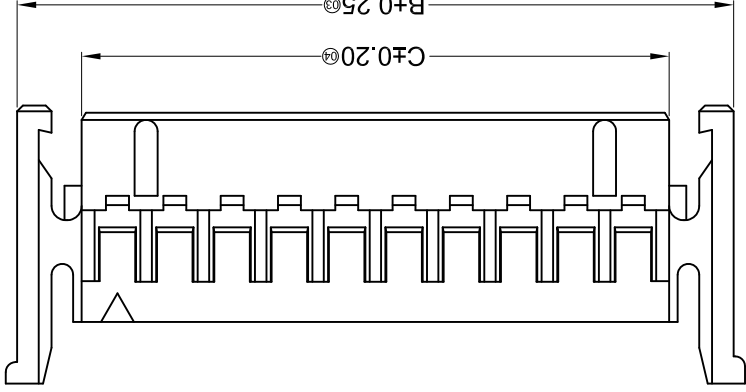
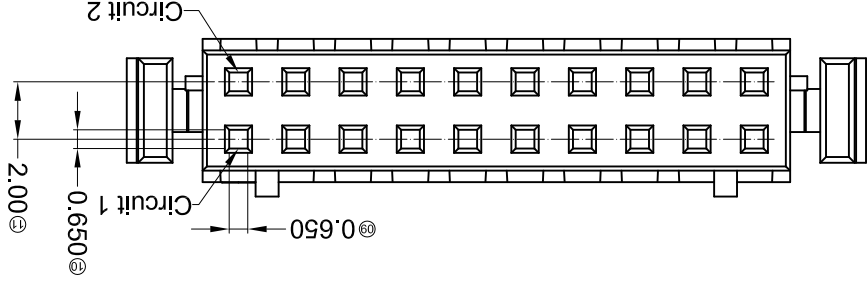
For and on behalf of  
**XKB INDUSTRIAL PRECISION CO., LIMITED**  
 香港星洲工業精密有限公司

| MARK | DESCRIPTION | DATE | REVISED | APPROVED | UNSPECIFIED TOLERANCES |       |
|------|-------------|------|---------|----------|------------------------|-------|
|      |             |      |         |          | L > 63                 | ± 0.5 |
| △ X  |             |      |         |          | 16 < L ≤ 63            | ± 0.4 |
| △ X  |             |      |         |          | 4 < L ≤ 16             | ± 0.3 |
| △ X  |             |      |         |          | L ≤ 4                  | ± 0.2 |
|      |             |      |         |          | ANGULAR                | ± 5°  |

**XKB INDUSTRIAL PRECISION CO., LIMITED**

|          |      |
|----------|------|
| WEIGHT   | 1.0g |
| SHEET    | 1/1  |
| REVISION | A0   |

|      |      |            |                              |
|------|------|------------|------------------------------|
| DSND | DATE | SCALE: N/A | MODEL TYPE: X2026H-2*XXAH-N0 |
| DWN  | DATE | VIEW:      | PART NO.:                    |
| CHKD | DATE | UNIT: mm   | DWG NO.:                     |
| APPD | DATE | SIZE: A4   |                              |



| Poles | Dimensions (mm) |       |       |
|-------|-----------------|-------|-------|
|       | A               | B     | C     |
| 2*02  | 2.00            | 9.00  | 4.50  |
| 2*03  | 4.00            | 11.00 | 6.50  |
| 2*04  | 6.00            | 13.00 | 8.50  |
| 2*05  | 8.00            | 15.00 | 10.50 |
| 2*06  | 10.00           | 17.00 | 12.50 |
| 2*07  | 12.00           | 19.00 | 14.50 |
| 2*08  | 14.00           | 21.00 | 16.50 |
| 2*09  | 16.00           | 23.00 | 18.50 |
| 2*10  | 18.00           | 25.00 | 20.50 |
| 2*11  | 20.00           | 27.00 | 22.50 |

- X2026 H X-2\*XX AH-N0 XX**
- ① Series No.
  - ② Category: H-HSG
  - ③ Appearance type: Blank-Ordinary
  - ④ Row No.-Pin No.: 2\*XX-2\*02P~2\*20P
  - ⑤ Plug the Pin & special No.:
  - ⑥ Material: NO-PA66 94V-0
  - ⑦ Color: Blank-Natural Color

- Specifications :**
- Voltage rating: 250V AC / DC
  - Current rating: 3A AC / DC
  - Withstanding voltage: 800V AC/minute
  - Temperature range: -25°C~+85°C
  - Insulation resistance: ≥1000MΩ
  - Contact resistance: ≤10mΩ
  - After environmental testing: ≤20mΩ

|                  |                   |                       |                       |
|------------------|-------------------|-----------------------|-----------------------|
| PART NO          | Material          | Suitable XKB Terminal | Suitable XKB Terminal |
| X2026H-2*XXAH-N0 | Nylon 66 UL 94V-0 | X2026T                | X2026VV-A, X2026WR-A  |

## X-ON Electronics

Largest Supplier of Electrical and Electronic Components

*Click to view similar products for [Headers & Wire Housings](#) category:*

*Click to view products by [XKB](#) manufacturer:*

Other Similar products are found below :

[95000-104TRLF](#) [10135584-644402LF](#) [DF62W-EP2022PCA](#) [95000-106TRLF](#) [DF62W-2022SCA](#) [DF62W-EP2022PC](#) [2203348](#) [DF62W-2022SC](#) [1084018](#) [1029039](#) [1084017](#) [802-10-012-10-002000](#) [1112640](#) [1112639](#) [891-007-9SS-BST1T](#) [000-34000](#) [0008550134](#) [0009482033](#) [0009507031](#) [57102-F02-18ULF](#) [57102-S06-03LF](#) [57202-S52-04LF](#) [PCN6-15S-2.5E](#) [0039019024](#) [58102-G61-06LF](#) [582553-1](#) [0009485154](#) [0009508121](#) [0022285053](#) [0050291907](#) [018731A](#) [LY20-4P-DT1-P1E-BR](#) [02.125.8002.8](#) [60101931](#) [60598-1 \(Cut Strip\)](#) [M1625-3R/100](#) [61062-3](#) [61082-181009](#) [CSU011177004](#) [636-1427](#) [638009-1](#) [641938-9](#) [641991-4](#) [644168-1](#) [644827-2](#) [647662-1](#) [65039-019ELF](#) [65692-001LF](#) [65781-018](#) [65781-047](#)