

1 2 3 4 5 6 7 8

A

B

C

D

E

F

A

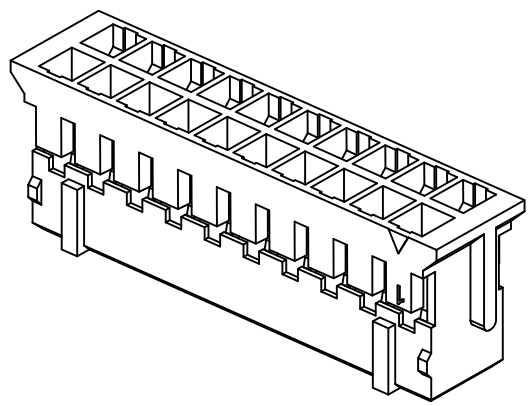
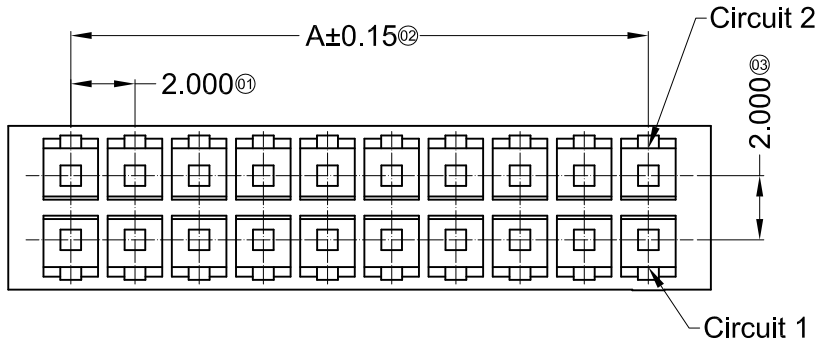
B

C

D

E

F



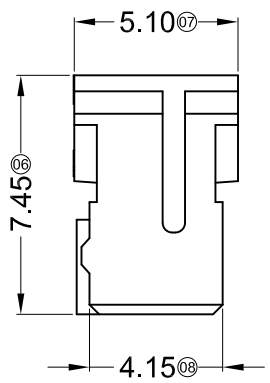
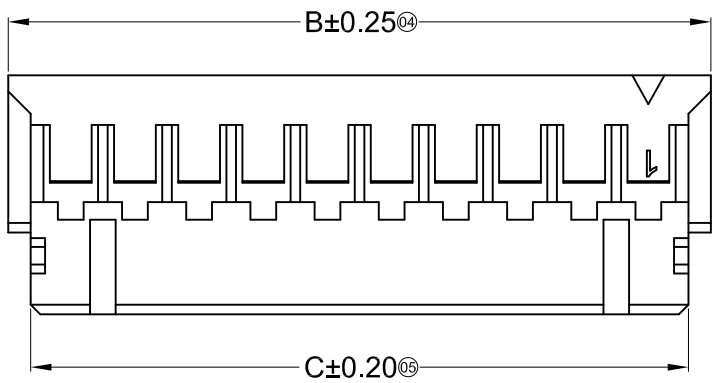
■ Specifications :

- Voltage rating: 250V AC / DC
- Current rating: 3A AC / DC
- Withstanding voltage: 800V AC/minute
- Temperature range: -25°C~+85°C
- Insulation resistance: ≥1000MΩ
- Contact resistance: ≤10mΩ
- After environmental testing: ≤20mΩ

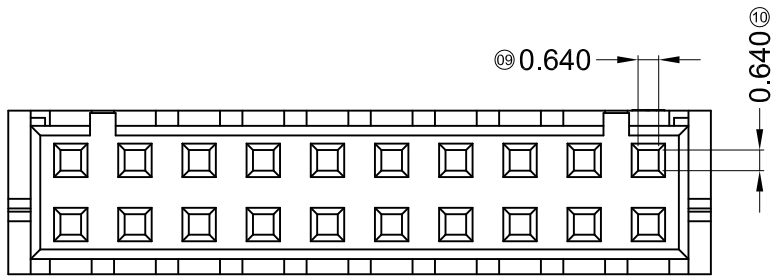
X2026 H X-2*XX HF-N0 XX

① ② ③ ④ ⑤ ⑥ ⑦

- ① Series No.
- ② Category: H-HSG
- ③ Appearance type: Blank-Ordinary
- ④ Row No.-Pin No.: 2*XX-2*02P~2*22P
- ⑤ Plug the Pin & special No.:
HF-Halogen Free
- ⑥ Material: N0-PA66 94V-0
- ⑦ Color: Blank-Natural Color
Bk-Black



Poles	Dimensions (mm)			Poles	Dimensions (mm)		
	A	B	C		A	B	C
2*02	2.00	5.90	4.50	2*13	24.00	27.90	26.50
2*03	4.00	7.90	6.50	2*14	26.00	29.90	28.50
2*04	6.00	9.90	8.50	2*15	28.00	31.90	30.50
2*05	8.00	11.90	10.50	2*16	30.00	33.90	32.50
2*06	10.00	13.90	12.50	2*17	32.00	35.90	34.50
2*07	12.00	15.90	14.50	2*18	34.00	37.90	36.50
2*08	14.00	17.90	16.50	2*19	36.00	39.90	38.50
2*09	16.00	19.90	18.50	2*20	38.00	41.90	40.50
2*10	18.00	21.90	20.50	2*21	40.00	43.90	42.50
2*11	20.00	23.90	22.50	2*22	42.00	45.90	44.50
2*12	22.00	25.90	24.50				



X2026H-2*XX-N0BK	Nylon 66 UL 94V-0 Black	X2026T	X2026W
X2026H-2*XXHF-N0	Nylon 66 UL 94V-0 Halogen Free		
X2026H-2*XX-N0	Nylon 66 UL 94V-0		
PART NO	Material	Suitable XKB Terminal	Suitable XKB Terminal

For and on behalf of
XKB INDUSTRIAL PRECISION CO., LIMITED
 香港星坤工業精密有限公司

△ X					ANGULAR	±5°
△ X					L ≤ 4	±0.2
△ X					4 < L ≤ 16	±0.3
△ X					16 < L ≤ 63	±0.4
MARK	DESCRIPTION	DATE	REVISED	APPROVED	L > 63	±0.5
					UNSPECIFIED TOLERANCES	

DSND		DATE		SCALE: N/A	MODEL TYPE: X2026H-2*XXXX-N0	
DWN		DATE		VIEW:	PART NO.: 2.00mm Crimp Style Connectors	
CHKD		DATE		UNIT: mm	DWG NO.:	
APPD		DATE		SIZE: A4		
				WEIGHT	SHEET	REVISION
				1.0g	1/1	A0

XKB INDUSTRIAL PRECISION CO., LIMITED

1 2 3 4 5 6 7 8

X-ON Electronics

Largest Supplier of Electrical and Electronic Components

Click to view similar products for [Headers & Wire Housings](#) category:

Click to view products by [XKB](#) manufacturer:

Other Similar products are found below :

[57102-F02-18ULF](#) [58102-G61-06LF](#) [0009485154](#) [009176003701906](#) [0050291907](#) [02.125.8002.8](#) [609-3404](#) [61062-3](#) [622-0430](#) [622-3653LF](#)
[63453-116](#) [636-1030](#) [636-1427](#) [636-3427](#) [636-4007](#) [641938-9](#) [644827-2](#) [65495-038](#) [65692-001LF](#) [65781-018](#) [65781-047](#) [65817-010LF](#)
[65817-015LF](#) [66207-023LF](#) [67016-026LF](#) [67095-007LF](#) [68631-112](#) [68645-018](#) [68648-049](#) [699319-000](#) [70.362.1628.0](#) [70-4210](#) [70-4226B](#)
[70-4853B](#) [707-5020](#) [707-5028](#) [71.350.2428.0](#) [71961-016LF](#) [733-134](#) [754199-000](#) [760-3052](#) [787-8014-00](#) [FCN-367T-T012/H](#) [80.063.4001.1](#)
[800-90-001-10-001000](#) [800-90-010-10-002000](#) [801-43-002-10-013000](#) [801-43-006-10-002000](#) [803-41-018-10-001000](#) [803-43-014-20-001000](#)