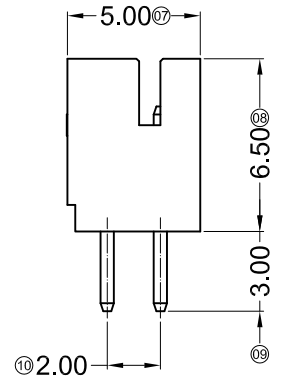
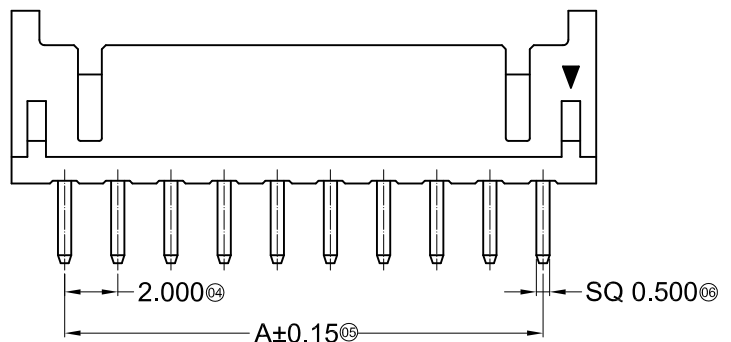


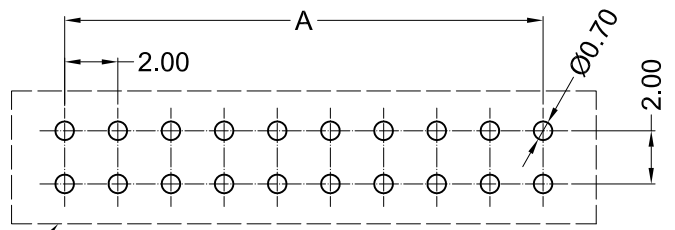
**Specifications :**

- Voltage rating: 250V AC / DC
- Current rating: 3A AC / DC
- Withstanding voltage: 800V AC/minute
- Temperature range: -25°C~+85°C
- Insulation resistance: ≥1000MΩ
- Contact resistance: ≤10mΩ
- After environmental testing: ≤20mΩ



X2026 W V X-2\*XX X -N0 XXX XX  
 ① ② ③ ④ ⑤ ⑥ ⑦ ⑧ ⑨

- ① Series No.
- ② Category: W-WAFER
- ③ Welding Board Angle: V-Straight 180°
- ④ Welding Way: Blank-DIP
- ⑤ Row No.-Pin No.: 2\*XX-2\*02P~2\*22P
- ⑥ Plug the Pin & Special No.: HF-Halogen Free
- ⑦ Material: N0-PA66 94V-0
- ⑧ Plating Category: SN-Bright Tin Plating; V01-Gold Flash
- ⑨ Color : Blank-Natural Color ; BK-Black;WH-White



Poles	Dimensions (mm)			Poles	Dimensions (mm)			Poles	Dimensions (mm)		
	A	B	C		A	B	C		A	B	C
2*02	2.00	6.00	4.80	2*09	16.00	20.00	18.80	2*16	30.00	34.00	32.80
2*03	4.00	8.00	6.80	2*10	18.00	22.00	20.80	2*17	32.00	36.00	34.80
2*04	6.00	10.00	8.80	2*11	20.00	24.00	22.80	2*18	34.00	38.00	36.80
2*05	8.00	12.00	10.80	2*12	22.00	26.00	24.80	2*19	36.00	40.00	38.80
2*06	10.00	14.00	12.80	2*13	24.00	28.00	26.80	2*20	38.00	42.00	40.80
2*07	12.00	16.00	14.80	2*14	26.00	30.00	28.80	2*21	40.00	44.00	42.80
2*08	14.00	18.00	16.80	2*15	28.00	32.00	30.80	2*22	42.00	46.00	44.80

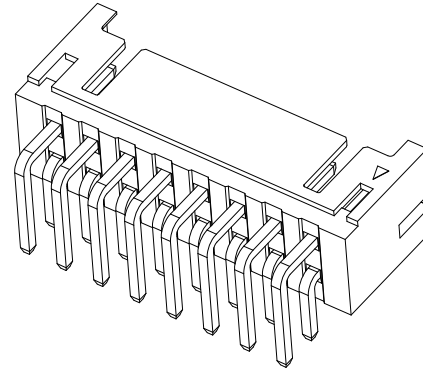
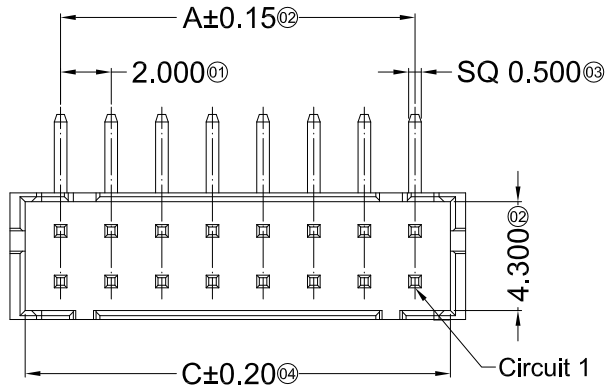
X2026WV-2*XXHF-N0SNBK	PA66 UL 94V-0 Black (Halogen Free)	Brass	Tin-Plated	X2026H
X2026WV-2*XX-N0SNWH	PA66 UL 94V-0 White		Tin-Plated	
X2026WV-2*XX-N0V01	PA66 UL 94V-0		Gold-Flash	
X2026WV-2*XX-N0SN			Tin-Plated	
PART NO	Material	Material(Pln)	Finish(Pln)	Suitable XKB Terminal

Recommended P.C.B Layout  
 General Tolerance±0.05

For and on behalf of  
**XKB INDUSTRIAL PRECISION CO., LIMITED**  
 香港星坤工業精密有限公司

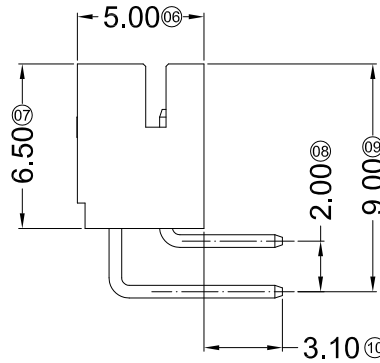
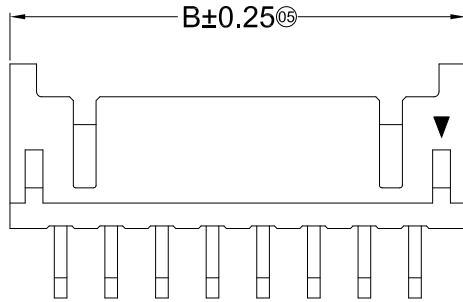
△ X					ANGULAR	±5°	DSND		DATE	SCALE: N/A	MODEL TYPE: X2026WV-2*XX-N0XXXX		
△ X					L ≤ 4	±0.2	DWN		DATE	VIEW:	PART NO.:		
△ X					4 < L ≤ 16	±0.3	CHKD		DATE	UNIT: mm	2.00 mm Crimp Style Connectors		
△ X					16 < L ≤ 63	±0.4	APPD		DATE	SIZE: A4	DWG NO.:		
MARK	DESCRIPTION	DATE	REVISED	APPROVED	L > 63	±0.5							
REVISIONS					UNSPECIFIED TOLERANCES			XKB INDUSTRIAL PRECISION CO., LIMITED			WEIGHT	SHEET	REVISION
											1.0g	1/1	A0

Authorized Signature(s)



**Specifications :**

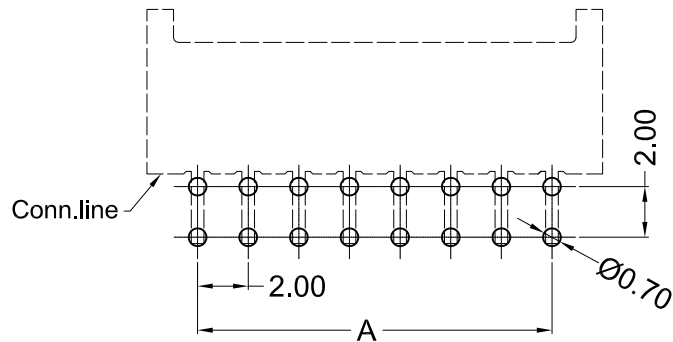
- Voltage rating: 250V AC / DC
- Current rating: 3A AC / DC
- Withstanding voltage: 800V AC/minute
- Temperature range: -25°C~+85°C
- Insulation resistance: ≥1000MΩ
- Contact resistance: ≤10mΩ
- After environmental testing: ≤20mΩ



X2026 W R X-2\*XX S -N0 SN XX

① ② ③ ④ ⑤ ⑥ ⑦ ⑧ ⑨

- ① Series No.
- ② Category: W-WAFER
- ③ Welding Board Angle: R-Right Angle 90°
- ④ Welding Way: Blank-DIP
- ⑤ Row No.-Pin No.: 2\*XX-2\*02P~2\*22P
- ⑥ Plug the Pin & Special No.:  
S-Without Positioning baffles on both side  
DIP=3.10mm
- ⑦ Material: N0-PA66 94V-0
- ⑧ Plating Category: SN-Bright Tin Plating;
- ⑨ Color : Blank-Natural Color



Recommended P.C.B Layout

General Tolerance±0.05

For and on behalf of  
**XKB INDUSTRIAL PRECISION CO., LIMITED**  
香港星坤工業精密有限公司

Poles	Dimensions (mm)			Poles	Dimensions (mm)			Poles	Dimensions (mm)		
	A	B	C		A	B	C		A	B	C
2*02	2.00	6.00	4.80	2*09	16.00	20.00	18.80	2*16	30.00	34.00	32.80
2*03	4.00	8.00	6.80	2*10	18.00	22.00	20.80	2*17	32.00	36.00	34.80
2*04	6.00	10.00	8.80	2*11	20.00	24.00	22.80	2*18	34.00	38.00	36.80
2*05	8.00	12.00	10.80	2*12	22.00	26.00	24.80	2*19	36.00	40.00	38.80
2*06	10.00	14.00	12.80	2*13	24.00	28.00	26.80	2*20	38.00	42.00	40.80
2*07	12.00	16.00	14.80	2*14	26.00	30.00	28.80	2*21	40.00	44.00	42.80
2*08	14.00	18.00	16.80	2*15	28.00	32.00	30.80	2*22	42.00	46.00	44.80

X2026WR-2*XXS-N0SN	PA66 UL 94V-0	Brass	Tin-Plated	X2026H
PART NO	Material	Material(Pln)	Finish(Pln)	Suitable XKB Terminal

DSND	DATE	SCALE: N/A	MODEL TYPE:
DWN	DATE	VIEW:	X2026WR-2*XXS-N0SN
CHKD	DATE	UNIT: mm	PART NO.:
APPD	DATE	SIZE: A4	2.00 mm Crimp Style Connectors
			DWG NO.:
REVISIONS	UNSPECIFIED TOLERANCES	WEIGHT	SHEET
		1.0g	1/1
			REVISION
			A0

△ X					ANGULAR	±5°
△ X					L ≤ 4	±0.2
△ X					4 < L ≤ 16	±0.3
△ X					16 < L ≤ 63	±0.4
MARK	DESCRIPTION	DATE	REVISED	APPROVED	L > 63	±0.5

**Specifications :**

- Voltage rating: 250V AC / DC
- Current rating: 3A AC / DC
- Withstanding voltage: 800V AC/minute
- Temperature range: -25°C~+85°C
- Insulation resistance: ≥1000MΩ
- Contact resistance: ≤10mΩ
- After environmental testing: ≤20mΩ

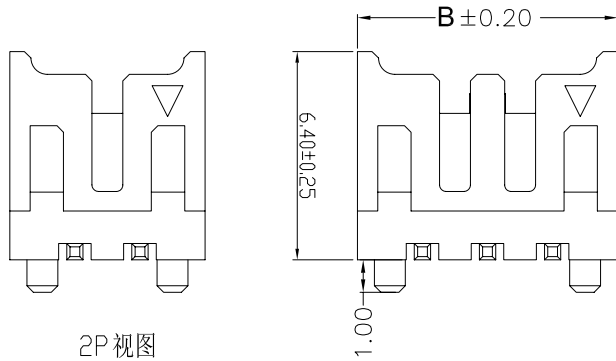
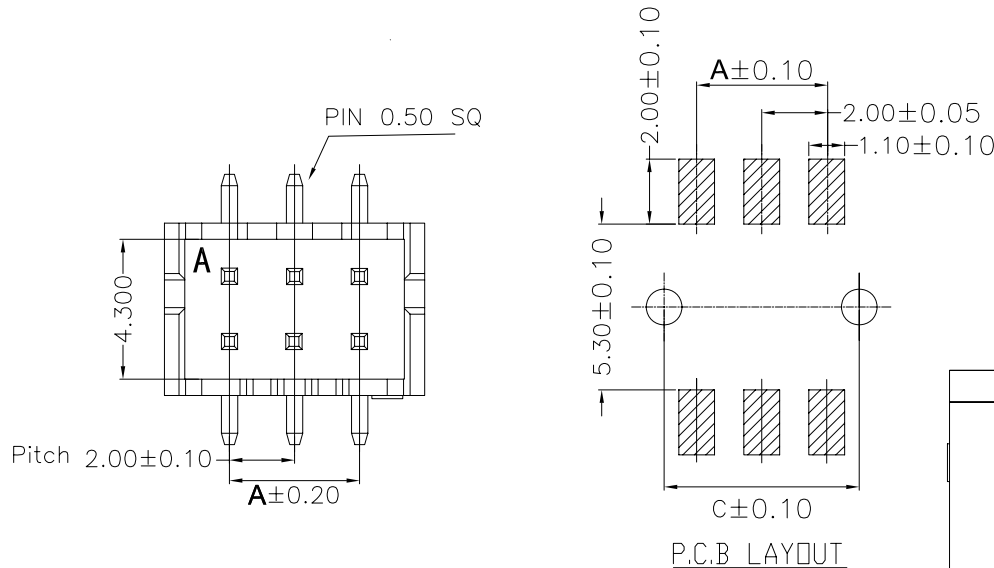
X2026 W V S-2\*XX S -9T SN XX

① ② ③ ④ ⑤ ⑥ ⑦ ⑧ ⑨

- ① Series No.
- ② Category: W-WAFER
- ③ Welding Board Angle: V-Stright 180°
- ④ Welding Way: S-SMT
- ⑤ Row No.-Pin No.: 2\*XX-2\*02P~2\*20P
- ⑥ S-With the column
- ⑦ Material: 9T-PA9T 94V-0;
- ⑧ Plating Category: SN-Bright tin plating
- ⑨ Color : Blank-Natural Color

Poles	Dimension(mm)		
	A	B	C
2*02	2.00	6.00	4.00
2*03	4.00	8.00	6.00
2*04	6.00	10.00	8.00
2*05	8.00	12.00	10.00
2*06	10.00	14.00	12.00
2*07	12.00	16.00	14.00
2*08	14.00	18.00	16.00
2*09	16.00	20.00	18.00
2*10	18.00	22.00	20.00
2*11	20.00	24.00	22.00
2*12	22.00	26.00	24.00
2*13	24.00	28.00	26.00
2*14	26.00	30.00	28.00
2*15	28.00	32.00	30.00
2*16	30.00	34.00	32.00
2*17	32.00	36.00	34.00
2*18	34.00	38.00	36.00
2*19	36.00	40.00	38.00

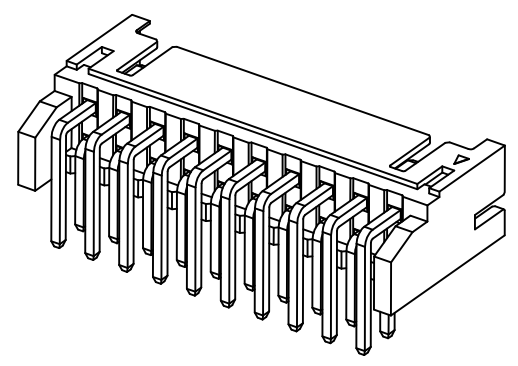
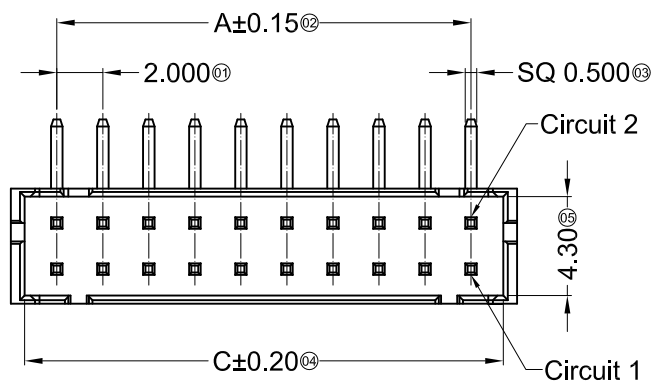
X2026WVS-2xXXS-9TSN	PA9T UL 94V-0	Brass	Tin-Plated	X2026H-A
X2026WVS-2xXX-9TSN	PA9T UL 94V-0	Brass	TIn-Plated	X2026H-A
PART NO	Material	Material(PIn)	Flnsh(PIn)	Suitable XKB Terminal



For and on behalf of  
**XKB INDUSTRIAL PRECISION CO., LIMITED**  
**香港星坤工業精密有限公司**

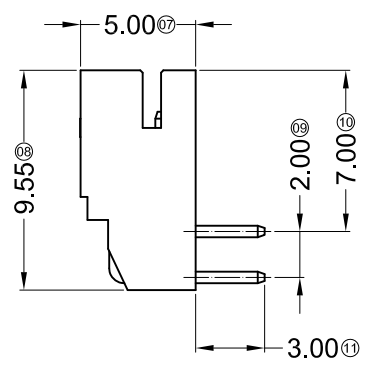
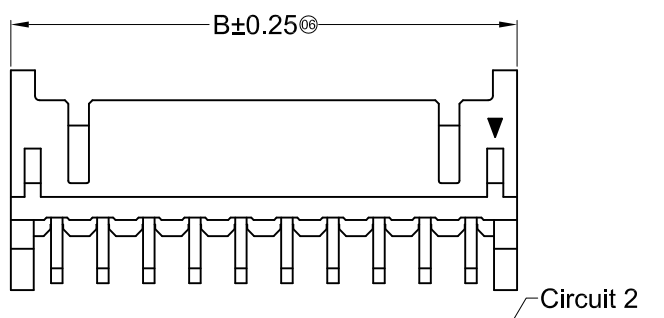
MARK	DESCRIPTION	DATE	REVISED	APPROVED	UNSPECIFIED TOLERANCES
△ X					ANGULAR ±5°
△ X					L ≤ 4 ±0.2
△ X					4 < L ≤ 16 ±0.3
△ X					16 < L ≤ 63 ±0.4
MARK					L > 63 ±0.5

DSND	DATE	SCALE: N/A	MODEL TYPE: X2026WVS-2xXXS-9TSXX
DWN	DATE	VIEW:	PART NO.:
CHKD	DATE	UNIT: mm	2.00mm Crimp Style Connectors
APPD	DATE	SIZE: A4	DWG NO.:
			X2026WVS-2xXXS-9TSXX
Authorized Signature(s)		<b>XKB INDUSTRIAL PRECISION CO., LIMITED</b>	WEIGHT 1.0g
			SHEET 1/1
			REVISION A0



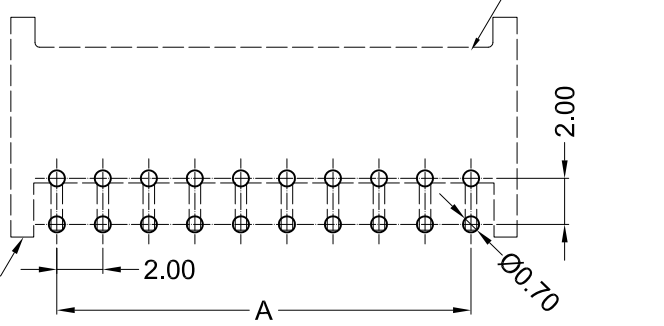
**Specifications :**

- Voltage rating: 250V AC / DC
- Current rating: 3A AC / DC
- Withstanding voltage: 800V AC/minute
- Temperature range: -25°C~+85°C
- Insulation resistance: ≥1000MΩ
- Contact resistance: ≤10mΩ
- After environmental testing: ≤20mΩ



X2026 W R X-2\*XX X -N0 XXX XX  
 ① ② ③ ④ ⑤ ⑥ ⑦ ⑧ ⑨

- ① Series No.
- ② Category: W-WAFER
- ③ Welding Board Angle: R-Right Angle 90°
- ④ Welding Way: Blank-DIP
- ⑤ Row No.-Pin No.: 2\*XX-2\*02P~2\*22P
- ⑥ Plug the Pin & Special No.:
- ⑦ Material: N0-PA66 94V-0
- ⑧ Plating Category: SN-Bright Tin Plating; V01-All Gold Flash
- ⑨ Color : Blank-Natural Color



Poles	Dimensions (mm)			Poles	Dimensions (mm)			Poles	Dimensions (mm)		
	A	B	C		A	B	C		A	B	C
2*02	2.00	6.00	4.80	2*09	16.00	20.00	18.80	2*16	30.00	34.00	32.80
2*03	4.00	8.00	6.80	2*10	18.00	22.00	20.80	2*17	32.00	36.00	34.80
2*04	6.00	10.00	8.80	2*11	20.00	24.00	22.80	2*18	34.00	38.00	36.80
2*05	8.00	12.00	10.80	2*12	22.00	26.00	24.80	2*19	36.00	40.00	38.80
2*06	10.00	14.00	12.80	2*13	24.00	28.00	26.80	2*20	38.00	42.00	40.80
2*07	12.00	16.00	14.80	2*14	26.00	30.00	28.80	2*21	40.00	44.00	42.80
2*08	14.00	18.00	16.80	2*15	28.00	32.00	30.80	2*22	42.00	46.00	44.80

Recommended P.C.B Layout  
 General Tolerance±0.05

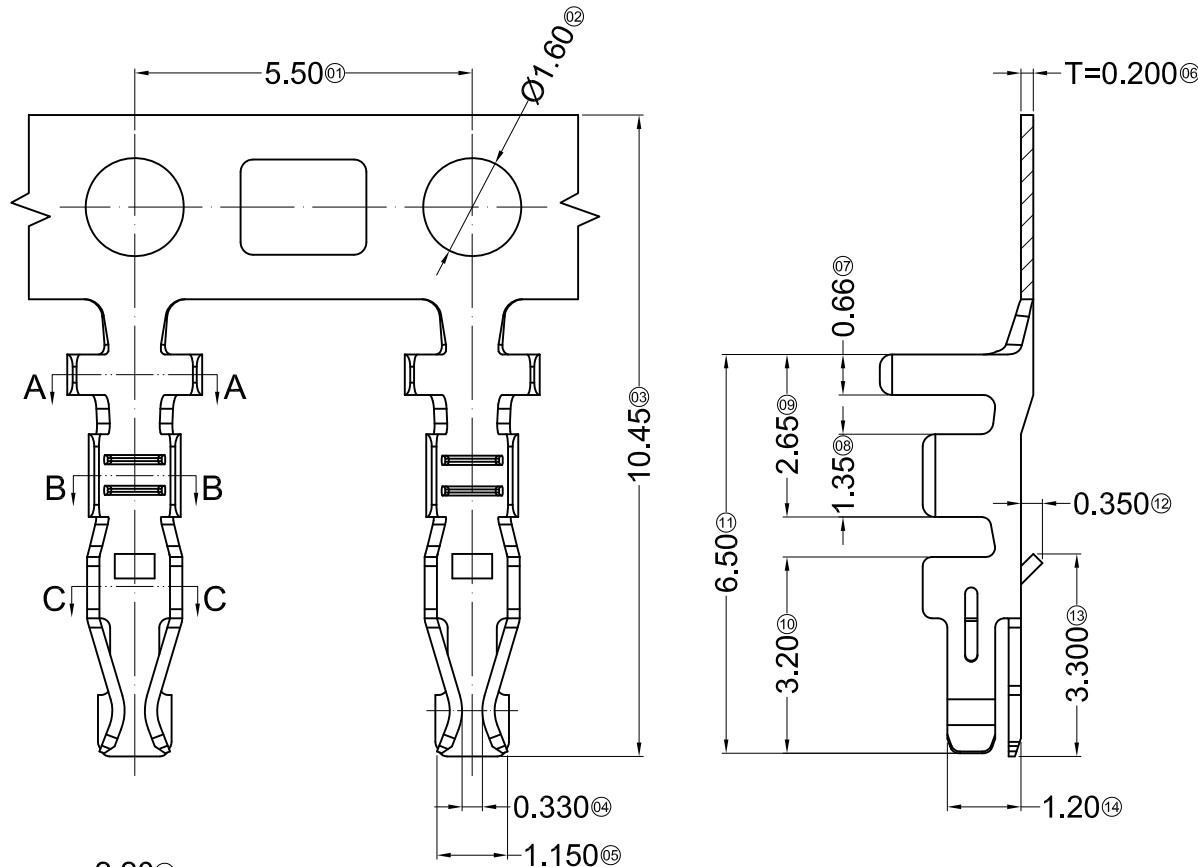
X2026WR-2*XX-N0V01	PA66 UL 94V-0	Brass	Gold-Flash	X2026H
X2026WR-2*XX-N0SN			Tin-Plated	
PART NO	Material	Material(Pin)	Finish(Pin)	Suitable XKB Terminal

For and on behalf of  
**XKB INDUSTRIAL PRECISION CO., LIMITED**  
 香港星坤工業精密有限公司

△ X					ANGULAR	±5°
△ X					L ≤ 4	±0.2
△ X					4 < L ≤ 16	±0.3
△ X					16 < L ≤ 63	±0.4
MARK	DESCRIPTION	DATE	REVISED	APPROVED	L > 63	±0.5
					UNSPECIFIED TOLERANCES	

DSND	DATE	SCALE: N/A	MODEL TYPE:
DWN	DATE	VIEW:	X2026WR-2*XX-N0XXX
CHKD	DATE	UNIT: mm	PART NO.:
APPD	DATE	SIZE: A4	2.00mm Crimp Style Connectors
			DWG NO.:
WEIGHT	SHEET	REVISION	
1.0g	1/1	A0	

**XKB INDUSTRIAL PRECISION CO., LIMITED**

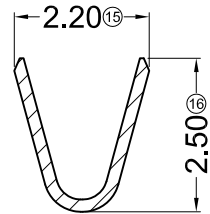
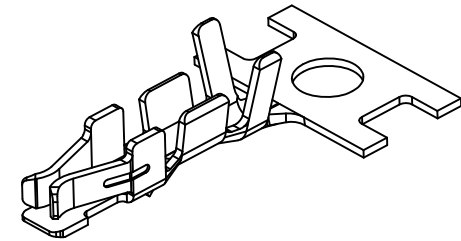


**Specifications :**

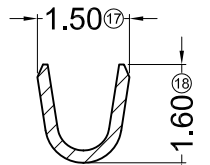
- Voltage rating: 250V AC / DC
- Current rating: 3A AC / DC
- Withstanding voltage: 800V AC/minute
- Temperature range: -25°C~+85°C
- Insulation resistance: ≥1000MΩ
- Contact resistance: ≤10mΩ
- After environmental testing: ≤20mΩ

X2026 T X-P XXX X - L  
 ① ② ③ ④ ⑤ ⑥ ⑦

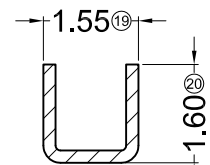
- ① Series Number
- ② Category: T-terminal
- ③ Shape: Blank-ordinary
- ④ Material: P-Phosphor bronze
- ⑤ Plating style: SN-Bright tin plating ; V01-Gold Flash  
G03-Gold 3u" Plated Contact
- ⑥ Plating method: Blank-Stamping before plating  
B-Plating before stamping
- ⑦ Mold No./Mark/Special No.: L- Loose



SECTION: A-A  
SCALE: 1:1



SECTION: B-B  
SCALE: 1:1



SECTION: C-C  
SCALE: 1:1

X2026T-PG03-L				Stamping Before Plating: 30u" MIN. Ni; Contact Area Gold: 3u" Min.	
X2026T-PV01-L	Phosphor Bronze	AWG#22-28	1.50mm(Max)	Stamping Before Plating: 30u" MIN. Ni; Whole Gold Flash	X2026H, 2026H-A
X2026T-PSNB-L				Plating Before Stamping: 10u" Ni; 40-60u"Sn	
X2026T-PSNL-L				Stamping Before Plating: 30u" MIN. Ni; 70u" MIN. Sn	
PART NO	Material	Wire Range	Insulation O.D.	Finish	Suitable XKB Terminal

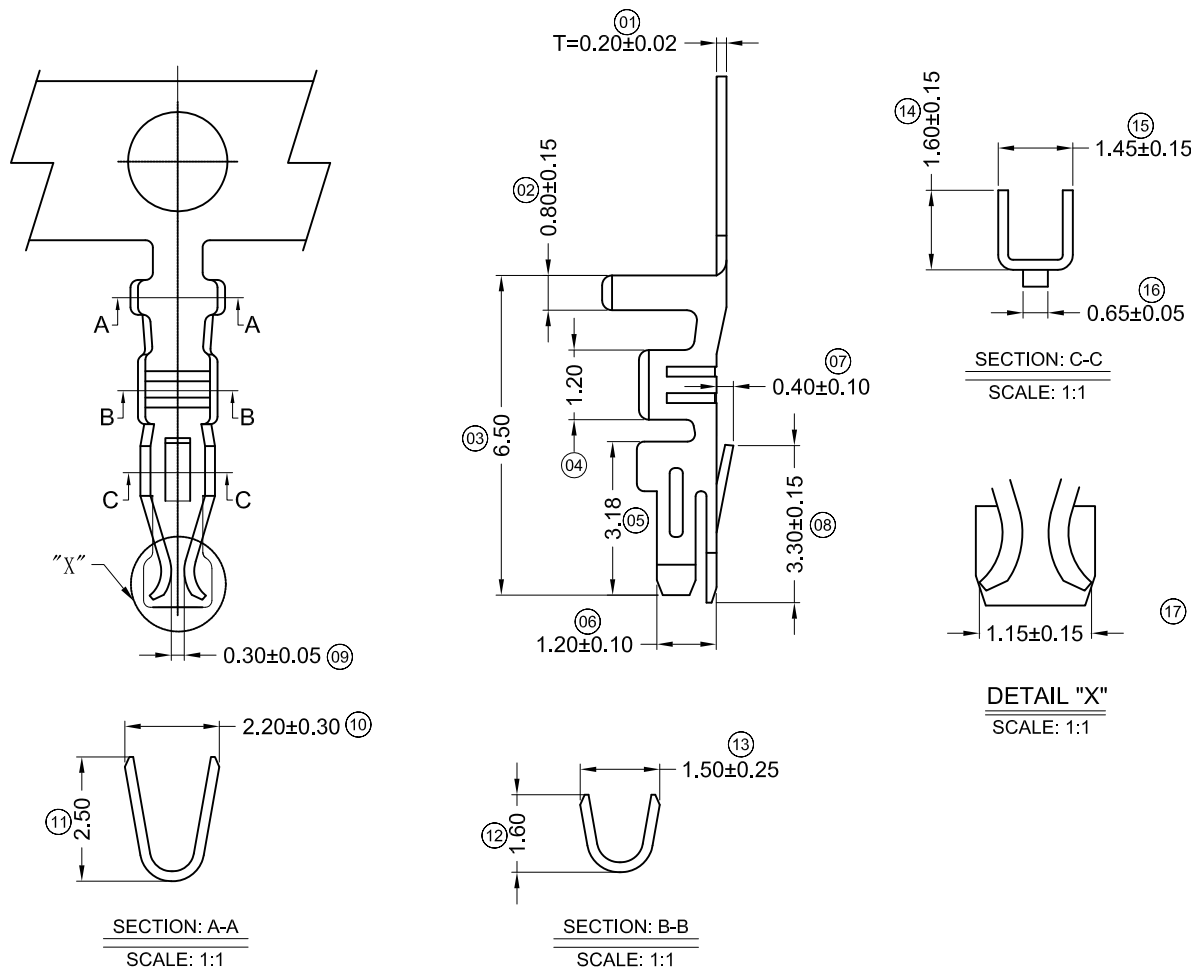
For and on behalf of  
**XKB INDUSTRIAL PRECISION CO., LIMITED**  
 香港星坤工業精密有限公司

△ X					ANGULAR	± 5°
△ X					L ≤ 4	± 0.2
△ X					4 < L ≤ 16	± 0.3
△ X					16 < L ≤ 63	± 0.4
MARK					L > 63	± 0.5

REVISIONS	DESCRIPTION	DATE	REVISED	APPROVED	UNSPECIFIED TOLERANCES
-----------	-------------	------	---------	----------	------------------------

DSND		DATE		SCALE: N/A	MODEL TYPE: X2026T-PXXXX-L
DWN		DATE		VIEW:	PART NO.: 2.00mm Crimp Style Connectors
CHKD		DATE		UNIT: mm	DWG NO.:
APPD		DATE		SIZE: A4	
				WEIGHT	SHEET
				1.0g	1/1
					REVISION
					A0

**XKB INDUSTRIAL PRECISION CO., LIMITED**



### Specifications :

- Voltage rating: 250V AC / DC
- Current rating: 3A AC / DC
- Withstanding voltage: 1000V AC/minute
- Temperature range: -25°C~+85°C
- Insulation resistance: ≥1000MΩ
- Contact resistance: ≤30mΩ
- After environmental testing: ≤50mΩ

X2026 T X-P SN X-A

① ② ③ ④ ⑤ ⑥ ⑦

- ① Series No.
- ② Category: T-Terminal
- ③ Appearance type: Blank-Ordinary
- ④ Material: P-Phosphor bronze  
B-Brass
- ⑤ Plating Style: G\*\*-Gold Plated Contact  
V\*\*- All Gold-Plated  
01-Gold Flash 02-2u" 03-3u"  
05-5u" 10-10u" 15-15u"  
SN-Bright Tin Plating (70-120u")  
SN1-Bright Tin Plating (120u" Min).  
0-No Plating Material  
SW- Fog Tin Plating
- ⑥ Plating Method : Blank-Stamping before Plating  
B-Plating before stamping
- ⑦ Mold No./Mark/Special No.  
A-Mating With Lock Housing

X2026T-PSNB-A	Phosphor Bronze	AWG#22-28	1.50mm(Max)	Plating Before Stamping:10~30u" Ni;40~60u"Sn	X2026H-B.X2026H-C.X2026H-D	10,000Pcs
X2026T-PSN-A				Stamping before plating:30~50u" Ni;70~120u"Sn		
PART NO	Material	Wire Range	Insulation O.D.	Finish	Suitable XKB	Q'ty/Reel

For and on behalf of  
**XKB INDUSTRIAL PRECISION CO., LIMITED**  
 香港星坤工業精密有限公司

△ X					ANGULAR	±5°	DSND		DATE	SCALE: N/A	MODEL TYPE: X2026T-PSN-A	
△ X					L ≤ 4	±0.2	DWN		DATE	VIEW:	PART NO.:	
△ X					4 < L ≤ 16	±0.3	CHKD		DATE	UNIT: mm	2.00 mm Crimp Style Connector	
△ X					16 < L ≤ 63	±0.4	APPD		DATE	SIZE: A4	DWG NO.:	
MARK	DESCRIPTION	DATE	REVISED	APPROVED	L > 63	±0.5						
				REVISIONS	UNSPECIFIED TOLERANCES		XKB INDUSTRIAL PRECISION CO., LIMITED			WEIGHT	SHEET	REVISION
				Authorized Signature(s)						1.0g	1/1	A0



1 2 3 4 5 6 7 8

A

B

C

D

E

F

A

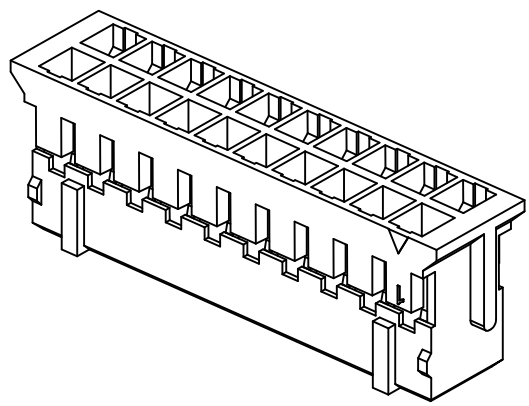
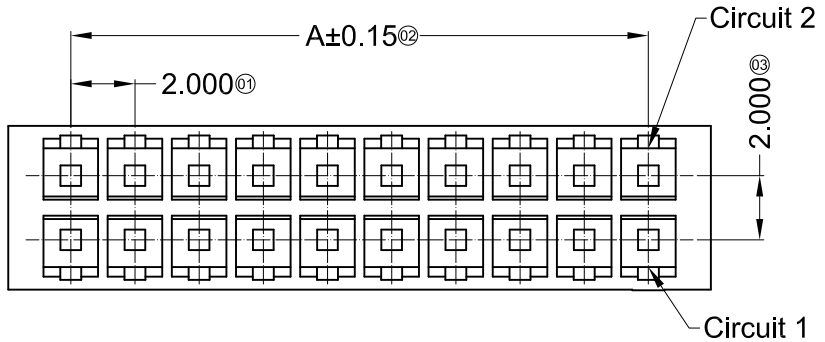
B

C

D

E

F



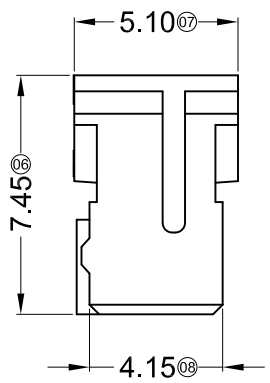
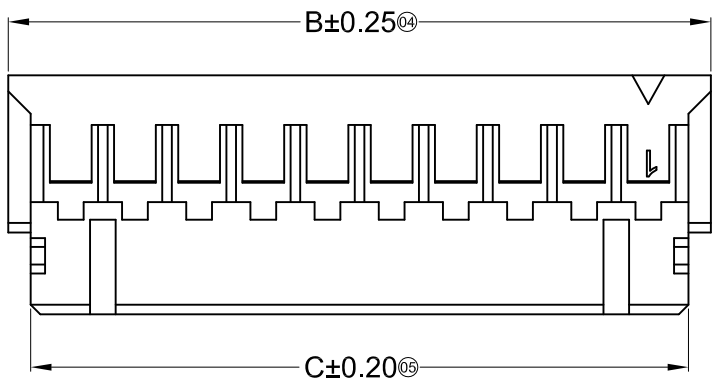
■ Specifications :

- Voltage rating: 250V AC / DC
- Current rating: 3A AC / DC
- Withstanding voltage: 800V AC/minute
- Temperature range: -25°C~+85°C
- Insulation resistance: ≥1000MΩ
- Contact resistance: ≤10mΩ
- After environmental testing: ≤20mΩ

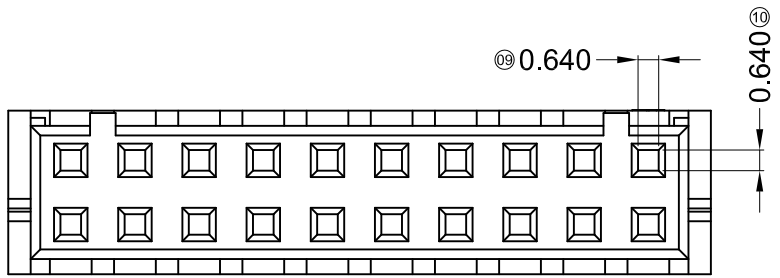
X2026 H X-2\*XX HF-N0 XX

① ② ③ ④ ⑤ ⑥ ⑦

- ① Series No.
- ② Category: H-HSG
- ③ Appearance type: Blank-Ordinary
- ④ Row No.-Pin No.: 2\*XX-2\*02P~2\*22P
- ⑤ Plug the Pin & special No.:  
HF-Halogen Free
- ⑥ Material: N0-PA66 94V-0
- ⑦ Color: Blank-Natural Color  
Bk-Black



Poles	Dimensions (mm)			Poles	Dimensions (mm)		
	A	B	C		A	B	C
2*02	2.00	5.90	4.50	2*13	24.00	27.90	26.50
2*03	4.00	7.90	6.50	2*14	26.00	29.90	28.50
2*04	6.00	9.90	8.50	2*15	28.00	31.90	30.50
2*05	8.00	11.90	10.50	2*16	30.00	33.90	32.50
2*06	10.00	13.90	12.50	2*17	32.00	35.90	34.50
2*07	12.00	15.90	14.50	2*18	34.00	37.90	36.50
2*08	14.00	17.90	16.50	2*19	36.00	39.90	38.50
2*09	16.00	19.90	18.50	2*20	38.00	41.90	40.50
2*10	18.00	21.90	20.50	2*21	40.00	43.90	42.50
2*11	20.00	23.90	22.50	2*22	42.00	45.90	44.50
2*12	22.00	25.90	24.50				



X2026H-2*XX-N0BK	Nylon 66 UL 94V-0 Black	X2026T	X2026W
X2026H-2*XXHF-N0	Nylon 66 UL 94V-0 Halogen Free		
X2026H-2*XX-N0	Nylon 66 UL 94V-0		
PART NO	Material	Suitable XKB Terminal	Suitable XKB Terminal

For and on behalf of  
**XKB INDUSTRIAL PRECISION CO., LIMITED**  
 香港星坤工業精密有限公司

△ X					ANGULAR	±5°
△ X					L ≤ 4	±0.2
△ X					4 < L ≤ 16	±0.3
△ X					16 < L ≤ 63	±0.4
MARK	DESCRIPTION	DATE	REVISED	APPROVED	L > 63	±0.5
					UNSPECIFIED TOLERANCES	

DSND		DATE		SCALE: N/A	MODEL TYPE: X2026H-2*XXXX-N0	
DWN		DATE		VIEW:	PART NO.: 2.00mm Crimp Style Connectors	
CHKD		DATE		UNIT: mm	DWG NO.:	
APPD		DATE		SIZE: A4		
				WEIGHT	SHEET	REVISION
				1.0g	1/1	A0

**XKB INDUSTRIAL PRECISION CO., LIMITED**

1 2 3 4 5 6 7 8

## X-ON Electronics

Largest Supplier of Electrical and Electronic Components

*Click to view similar products for [Terminals](#) category:*

*Click to view products by [XKB](#) manufacturer:*

Other Similar products are found below :

[00-054007-01074-6](#) [00-054007-70206-1](#) [00-054007-70210-8](#) [00-054007-70217-7](#) [00-054007-70228-3](#) [00-054007-70256-6](#) [00-054007-70316-7](#) [00-054007-49560-4](#) [00-054007-70209-2](#) [00-054007-70231-3](#) [00-054007-70241-2](#) [00-054007-70242-9](#) [00-054007-70246-7](#) [00-054007-70263-4](#) [00-054007-70288-7](#) [00-054007-70290-0](#) [00-054007-70300-6](#) [00-054007-70304-4](#) [01-2900-1-04412](#) [00581P0075](#) [600TS-10](#) [604200-1](#) [605601-1](#) [60598-1-CUT-TAPE](#) [60617-1-C](#) [61314-6-C](#) [61810-3](#) [62149-1](#) [626-0194](#) [62-NBM-A](#) [62-SP](#) [63-S](#) [M55155/059I03](#)  
[M55155/079C01](#) [M55155/099B03](#) [M55155/099H02](#) [M55155/109H01](#) [M55155/12XH05](#) [M55155/16XH02](#) [M55155/29-5S](#) [M55155/29XJ08](#)  
[M55155/30-6S](#) [M55155/30-9S](#) [M55155/30XI09](#) [696683-1](#) [696861-1](#) [696999-1](#) [M86700006](#) [D18-110B-C](#) [D18-110B-M](#)