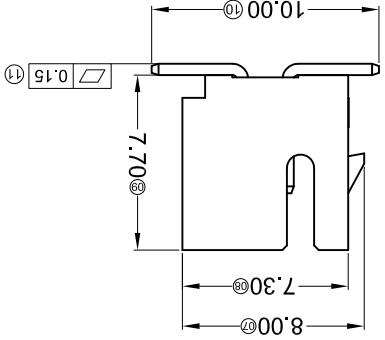
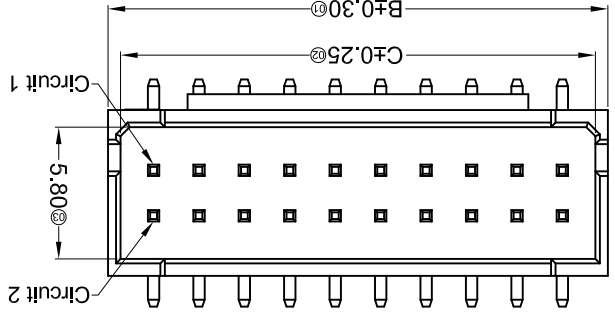
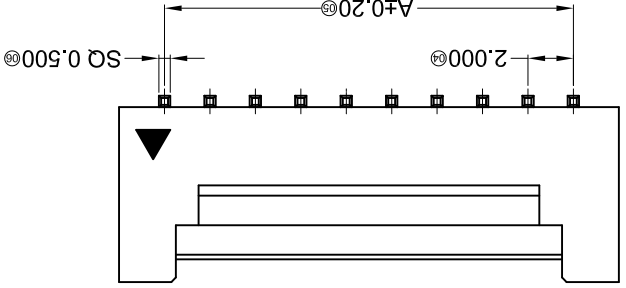
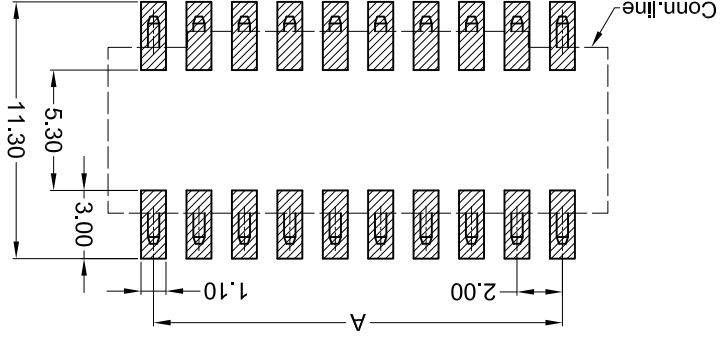


For and on behalf of
XKB INDUSTRIAL PRECISION CO., LIMITED
 香港星坤工業精密有限公司

MARK	DESCRIPTION	DATE	REVISID	APPROVED	UNSPECIFIED TOLERANCES
△ X					L > 63
△ X					16 < L ≤ 63
△ X					4 < L ≤ 16
△ X					L ≤ 4
					ANGULAR
					±5°

Recommended P.C.B Layout
 General Tolerance±0.05



PART NO	Material	Material(Fin)	Finish(Fin)	Suitable XKB Terminal
X2026WV-S-2*XXD-9TSN	PA9T 94V-0	Brass	Tin-Plated	X2026H-D

Poles	Dimensions (mm)		
	A	B	C
2*02	2.00	6.00	4.90
2*03	4.00	8.00	6.90
2*04	6.00	10.00	8.90
2*05	8.00	12.00	10.90
2*06	10.00	14.00	12.90
2*07	12.00	16.00	14.90
2*08	14.00	18.00	16.90
Poles			
Dimensions (mm)			
A B C			
Poles			
Dimensions (mm)			
A B C			

- Voltage rating: 250V AC / DC
- Current rating: 3A AC / DC
- Withstanding voltage: 1000V AC/minute
- Temperature range: -25°C~+85°C
- Insulation resistance: ≥1000MΩ
- Contact resistance: ≤30mΩ
- After environmental testing: ≤50mΩ

Series No. X2026 W V S-2*XX D -9T SN XX

- ① Series No.
- ② Category: W-WAFER
- ③ Welding Board Angle: V-Straight 180°
- ④ Welding Way: S-SMT
- ⑤ Row No.-Pin No.: 2*XX-2*02P-2*30P
- ⑥ Plug the Pin & Special No.: D-With Lock in the middle
- ⑦ Material: 9T -PA9T 94V-0
- ⑧ Plating Category: SN-Bright Tin Plating
- ⑨ Color : Blank-Natural Color

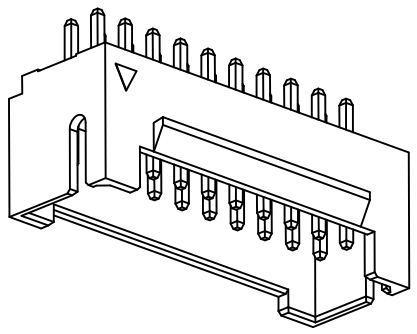
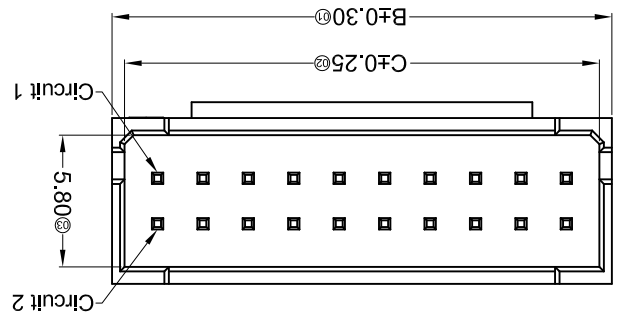
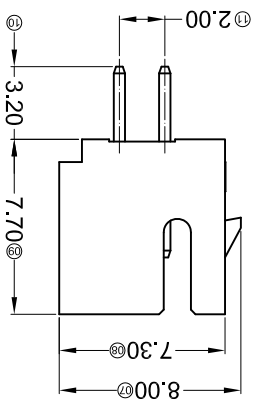
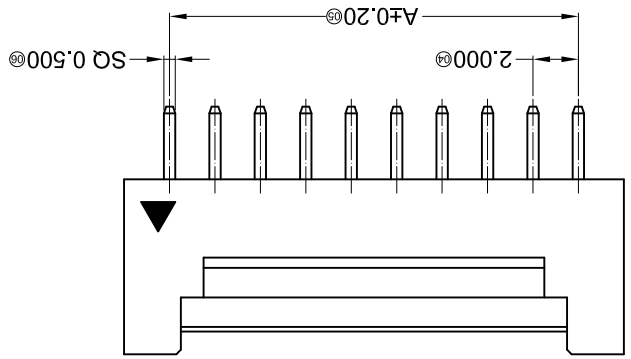
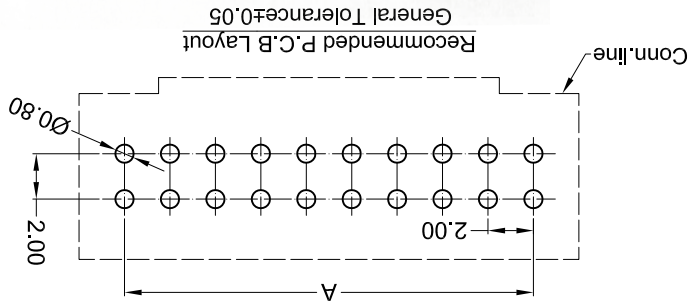
DSND	DATE	SCALE: N/A	MODEL TYPE: X2026WV-S-2*XXD-9TSN
DWN	DATE <td>VIEW: </td> <td>PART NO.:</td>	VIEW:	PART NO.:
CHKD	DATE <td>UNIT: mm</td> <td>DWG NO.:</td>	UNIT: mm	DWG NO.:
APPD	DATE <td>SIZE: A4</td> <td></td>	SIZE: A4	

REVISION	SHEET	WEIGHT
A0	1/1	1.0g

REVISIONS		UNSPECIFIED TOLERANCES	
MARK	DESCRIPTION	APPROVED	REVISIED
△ X		L > 63	± 0.5
△ X		16 < L ≤ 63	± 0.4
△ X		4 < L ≤ 16	± 0.3
△ X		L ≤ 4	± 0.2
		ANGULAR	± 5°

For and on behalf of
XKB INDUSTRIAL PRECISION CO., LIMITED
 香港星坤工業精密有限公司

DATE	DATE	DATE	DATE
APPD	CHKD	DWN	DSND
SIZE: A4	UNIT: mm	VIEW:	SCALE: N/A
X2026WV-2*XXD-XXXXX			
PART NO.:			
2.00mm Crimp Style Connectors			
DWG NO.:			
WEIGHT	SHEET	REVISION	AO
1.0g	1/1		



Poles	Dimensions (mm)	Poles	Dimensions (mm)	Poles	Dimensions (mm)
A	2.02	A	2.09	A	2.16
B	2.03	B	2.09	B	2.16
C	2.04	C	2.11	C	2.17
	2.05		2.12		2.19
	2.06		2.13		2.20
	2.07		2.14		2.20
	2.08		2.15		2.20
	14.00		16.00		30.00
	12.00		14.90		28.90
	10.00		12.90		26.90
	8.00		10.90		24.90
	6.00		8.90		22.90
	4.00		6.90		20.90
	2.00		4.90		18.90

PART NO	Material	Material(Fin)	Finish(Fin)	Suitable XKB Terminal
X2026WV-2*XXD-4TSN	PA4T 94V-0	Brass	Tin-Plated	X2026H-D
X2026WV-2*XXD-9TV03	PA9T 94V-0	Brass	Gold-Plated 3u"	X2026H-D
X2026WV-2*XXD-6SN	PA46 94V-0	Brass	Tin-Plated	X2026H-D

- ① Series No. X2026 W V X-2*XX D -XX XX XX ① ② ③ ④ ⑤ ⑥ ⑦ ⑧ ⑨
- ② Category: W-WAFER
- ③ Welding Board Angle: V-Straight 180°
- ④ Welding Way: Blank-DIP
- ⑤ Row No.-Pin No.: 2*XX-2*04P~2*30P
- ⑥ Plug the Pin & Special No.: D-With Lock in the middle
- ⑦ Material: 46 -PA46 94V-0, 9T-PA9T 94V-0,
- ⑧ 4T-PA4T 94V-0
- ⑨ Plating Category: SN-Bright Tin Plating, V03-All Gold-Plated 3u"
- ⑩ Color : Blank-Natural Color
- Specifications :
- Voltage rating: 250V AC / DC
 - Current rating: 3A AC / DC
 - Withstanding voltage: 1000V AC/minute
 - Temperature range: -25°C~+85°C
 - Insulation resistance: ≥1000MΩ
 - Contact resistance: ≤30mΩ
 - After environmental testing: ≤50mΩ

For and on behalf of
XKB INDUSTRIAL PRECISION CO., LIMITED
 香港星洲工業精密有限公司
 REVISIONS
 Authorized Signatures(s)

MARK	DESCRIPTION	DATE	REVISED	APPROVED	UNSPECIFIED TOLERANCES
△ X					L > 63 ±0.5
△ X					16 > L ≤ 63 ±0.4
△ X					4 < L ≤ 16 ±0.3
△ X					L ≤ 4 ±0.2
					ANGULAR ±5°

REVISION	SHEET	WEIGHT	SIZE: A4
A0	1/1	1.0g	

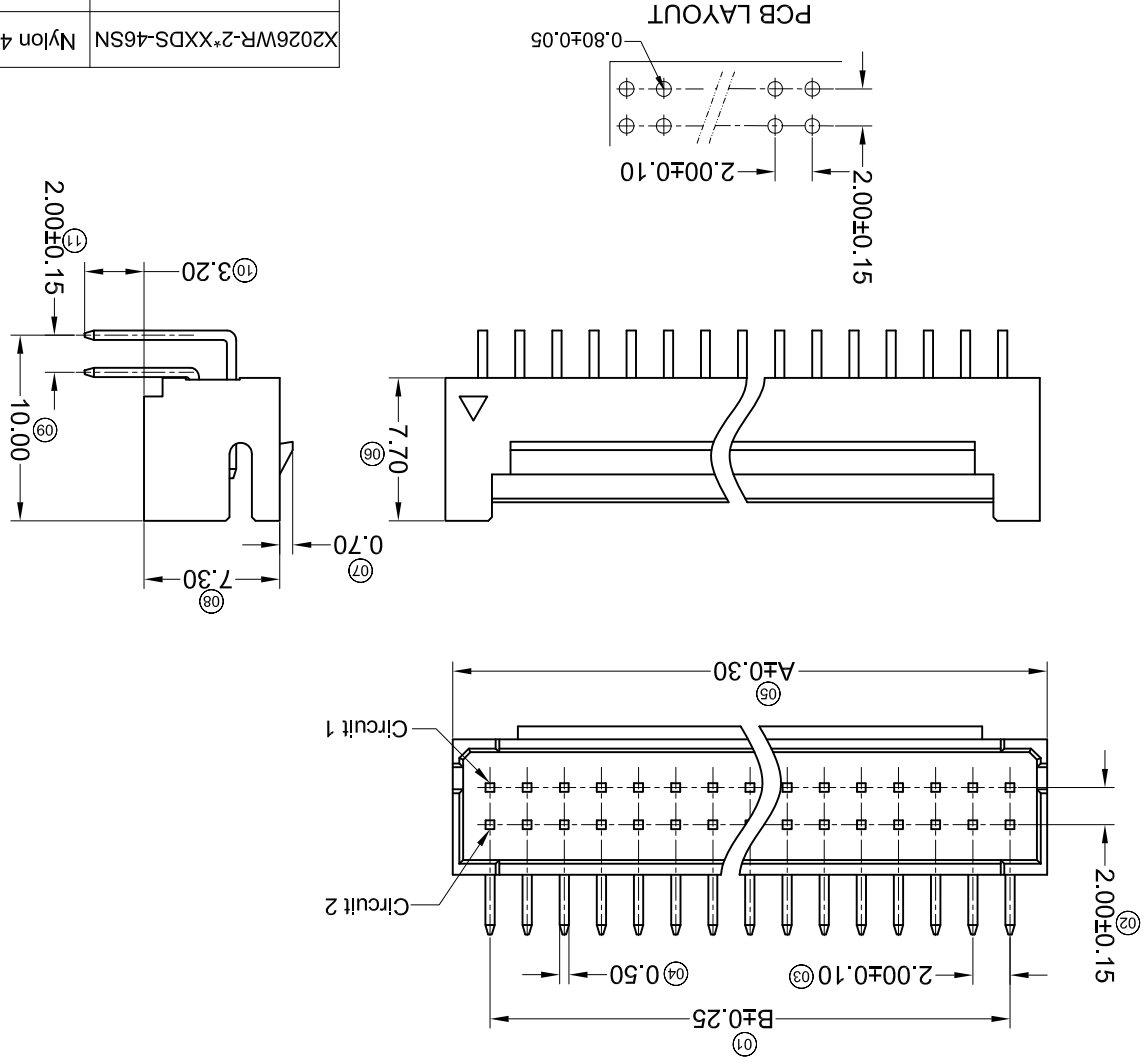
DSND	DATE	SCALE: N/A	MODEL TYPE: X2026WR-2*XXDS-XXSN
DWN	DATE <td>VIEW: </td> <td>PART NO.:</td>	VIEW:	PART NO.:
CHKD	DATE <td>UNIT: mm</td> <td>DWG NO.:</td>	UNIT: mm	DWG NO.:
APPD	DATE <td>SIZE: A4</td> <td></td>	SIZE: A4	

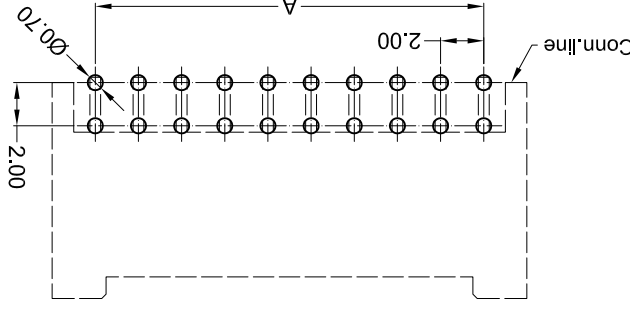
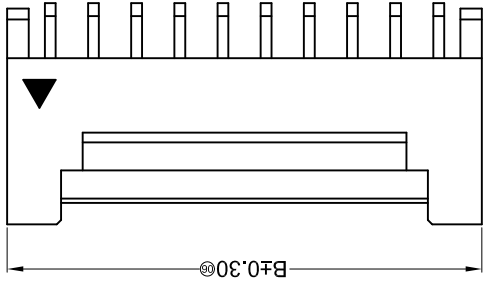
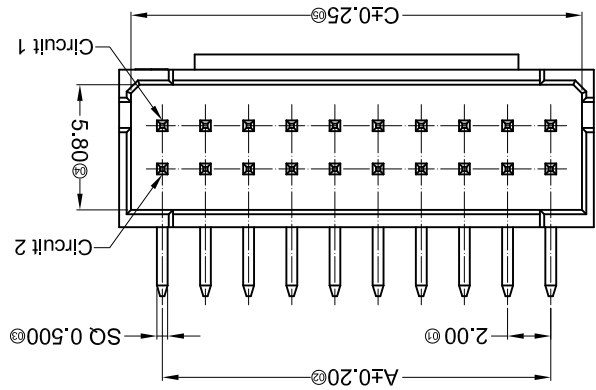
PART NO	Material	Material(Pin)	Finish(Pin)	Suitable XKB Terminal	Q'ty/Bag
X2026WR-2*XXDS-46SN	Nylon 46 UL 94V-0	Brass	Tin-Plated	X2026H-D	1,000Pcs

Poles	A	B
08	10.00	6.00
10	12.00	8.00
12	14.00	10.00
14	16.00	12.00
16	18.00	14.00
18	20.00	16.00
20	22.00	18.00
22	24.00	20.00
24	26.00	22.00
26	28.00	24.00
28	30.00	26.00
30	32.00	28.00
32	34.00	30.00
34	36.00	32.00
36	38.00	34.00
38	40.00	36.00
40	42.00	38.00
60	62.00	58.00

- ① Series No. X2026 WR X-2*XX DS -XX SN XX
- ② Category: W-WAFER
- ③ Welding Board Angle: V-180°; R-90°
- ④ Welding Way: Blank-DIP; S-SMT
- ⑤ Row No.-Pin No.: XX-Single Row; 2*XX-Double Row
- ⑥ Plug the Pin & Special No.:
- ⑦ Material: 46-PA46 94V-0
- ⑧ Plating Category: G**-Gold Plated Contact
- ⑨ V**- All Gold-Plated
- ⑩ 01-Gold Flash 02-2u" 03-3u"
- ⑪ 05-5u" 10-10u" 15-15u"
- ⑫ SN-Bright Tin Plating (70-120u")
- ⑬ SN1-Bright Tin Plating (120u" Min).
- ⑭ 0-No Plating Material
- ⑮ SW-Fog Tin Plating
- ⑯ HS-Hight temperature Tin
- ⑰ Color: Blank-Natural Color

- Specifications:
- Voltage rating: 250V AC / DC
 - Current rating: 3A AC / DC
 - Withstanding voltage: 1000V AC/minute
 - Temperature range: -25°C~+85°C
 - Insulation resistance: ≥1000MΩ
 - Contact resistance: ≤30mΩ
 - After environmental testing: ≤50mΩ



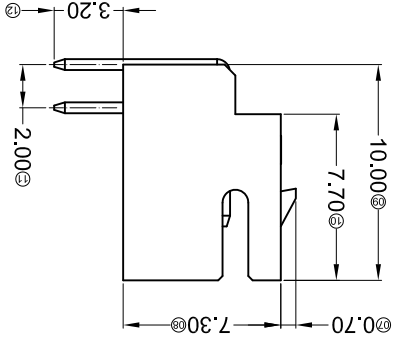
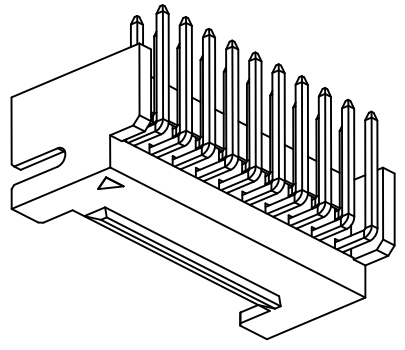


Recommended P.C.B Layout
General Tolerance±0.05

For and on behalf of
XKB INDUSTRIAL PRECISION CO., LIMITED
香港星坤工業精密有限公司

REVISIONS
Authorized Signature(s)

MARK	DESCRIPTION	DATE	REVISED	APPROVED	UNSPECIFIED TOLERANCES
△X					L > 63 ±0.5
△X					16 > L ≤ 63 ±0.4
△X					4 < L ≤ 16 ±0.3
△X					L ≤ 4 ±0.2
					ANGULAR ±5°



Poles	Dimensions (mm)			Poles	Dimensions (mm)		
	A	B	C		A	B	C
2*02	2.00	6.00	4.90	2*09	16.00	20.00	18.90
2*03	4.00	8.00	6.90	2*10	18.00	22.00	20.90
2*04	6.00	10.00	8.90	2*11	20.00	24.00	22.90
2*05	8.00	12.00	10.90	2*12	22.00	26.00	24.90
2*06	10.00	14.00	12.90	2*13	24.00	28.00	26.90
2*07	12.00	16.00	14.90	2*14	26.00	30.00	28.90
2*08	14.00	18.00	16.90	2*15	28.00	32.00	30.90

PART NO	Material	Material(Pin)	Finish(Pin)	Suitable XKB Terminal
X2026WR-2*XXD-4TSN	PA4T 94V-0	Brass	Tin-Plated	2026H-D
X2026WR-2*XXD-46SN	PA46 94V-0	Brass	Tin-Plated	2026H-D

DSND	DATE	SCALE: N/A	MODEL TYPE:
			X2026WR-2*XXD-XXSN
DWN	DATE	VIEW:	PART NO.:
			2.00mm Crimp Style Connectors
CHKD	DATE	UNIT: mm	DWG NO.:
APPD	DATE	SIZE: A4	REVISION
			1/1

■ Specifications :

- Voltage rating: 250V AC / DC
- Current rating: 3A AC / DC
- Withstanding voltage: 1000V AC/minute
- Temperature range: -25°C~+85°C
- Insulation resistance: ≥1000MΩ
- Contact resistance: ≤30mΩ
- After environmental testing: ≤50mΩ

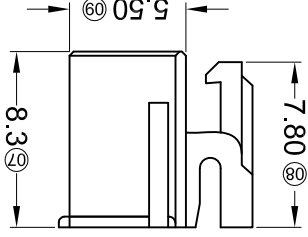
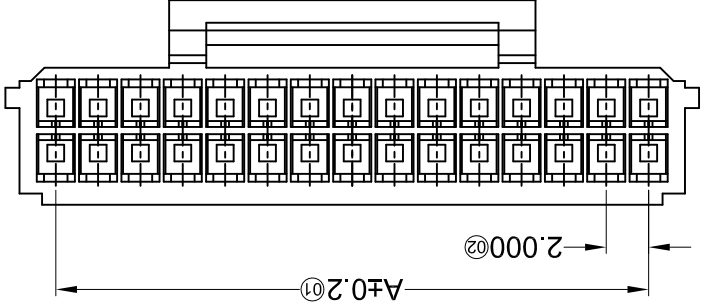
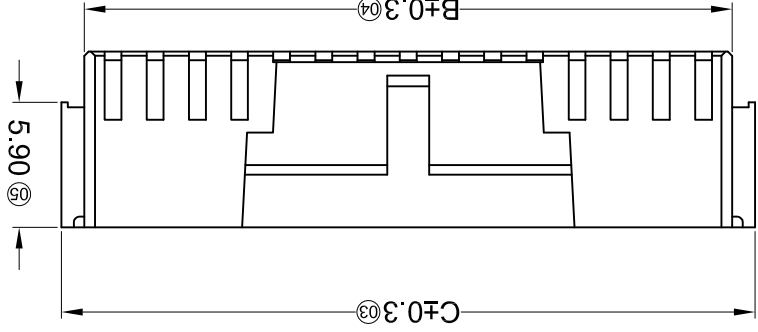
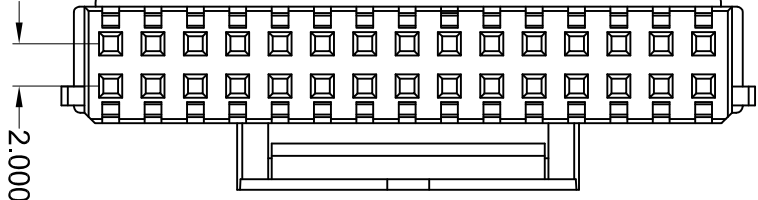
X2026 W R X-2*XX D -46 SN XX

- Series No.
- Category: W-WAFER
- Welding Board Angle: R-Right Angle 90°
- Welding Way: Blank-DIP
- Row No.-Pin No.: 2*XX-2*04P~2*30P
- Plug the Pin & Special No.: D-With Lock in the middle
- Material: 46 -PA46 94V-0, 4T -PA4T 94V-0
- Plating Category: SN-Bright Tin Plating
- Color : Blank-Natural Color

For and on behalf of
XKB INDUSTRIAL PRECISION CO., LIMITED
 香港星坤工業精密有限公司

MARK	DESCRIPTION	DATE	REVISED	APPROVED	UNSPECIFIED TOLERANCES
△ X					L > 63 ± 0.5
△ X					16 > L ≤ 63 ± 0.4
△ X					4 < L ≤ 16 ± 0.3
					L ≤ 4 ± 0.2
					ANGULAR ± 5°

REVISIONS	REVISIONS		REVISIONS	
APPD	DATE	SIZE: A4	WEIGHT	1.0g
CHKD	DATE	UNIT: mm	SHEET	1/1
DWN	DATE	VIEW:	REVISION	A0
DSND	DATE	SCALE: N/A	MODEL TYPE:	X2026H-2*XXD-N0
		PART NO.:		
		2.00mm Crimp Style Connectors		
		DWG NO.:		



PART NO	Material	Suitable XKB Terminal	Suitable XKB Terminal
X2026H-2*XXD-N0	Nylon 66 UL 94V-0	X2026T-D	X2026W-D

Poles	Dimensions (mm)		
	A	B	C
2*02	2.00	4.60	2*12
2*03	4.00	6.60	2*13
2*04	6.00	8.60	2*14
2*05	8.00	10.60	2*15
2*06	10.00	12.60	2*16
2*07	12.00	14.60	2*17
2*08	14.00	16.60	2*18
2*09	16.00	18.60	2*19
2*10	18.00	20.60	2*20
2*11	20.00	22.60	2*21
			2*22

- ① Series No.
 ② Category: H-HSG
 ③ Appearance type: Blank-Ordinary
 ④ Row No.-Pin No.: 2*XX-2*02P~2*22P
 ⑤ Plug the Pin & special No.
 ⑥ Material: N0-PA66 94V-0
 ⑦ Color: Blank-Natural Color

- Specifications :
- Voltage rating: 250V AC / DC
 - Current rating: 3A AC / DC
 - Withstanding voltage: 1000V AC/minute
 - Temperature range: -25°C~+85°C
 - Insulation resistance: ≥100MΩ
 - Contact resistance: ≤30mΩ
 - After environmental testing: ≤50mΩ

X2026 H X-2*XX D-N0 XX
 ① ② ③ ④ ⑤ ⑥ ⑦

X-ON Electronics

Largest Supplier of Electrical and Electronic Components

Click to view similar products for [Headers & Wire Housings](#) category:

Click to view products by [XKB](#) manufacturer:

Other Similar products are found below :

[95000-104TRLF](#) [10135584-644402LF](#) [DF62W-EP2022PCA](#) [95000-106TRLF](#) [DF62W-2022SCA](#) [DF62W-EP2022PC](#) [2203348](#) [DF62W-2022SC](#) [1084018](#) [1029039](#) [1084017](#) [802-10-012-10-002000](#) [1112640](#) [1112639](#) [891-007-9SS-BST1T](#) [000-34000](#) [0008550134](#) [0009482033](#) [0009507031](#) [57102-F02-18ULF](#) [57102-S06-03LF](#) [57202-S52-04LF](#) [PCN6-15S-2.5E](#) [0039019024](#) [58102-G61-06LF](#) [582553-1](#) [0009485154](#) [0009508121](#) [0022285053](#) [0050291907](#) [018731A](#) [LY20-4P-DT1-P1E-BR](#) [02.125.8002.8](#) [60101931](#) [60598-1 \(Cut Strip\)](#) [M1625-3R/100](#) [61062-3](#) [61082-181009](#) [CSU011177004](#) [636-1427](#) [638009-1](#) [641938-9](#) [641991-4](#) [644168-1](#) [644827-2](#) [647662-1](#) [65039-019ELF](#) [65692-001LF](#) [65781-018](#) [65781-047](#)