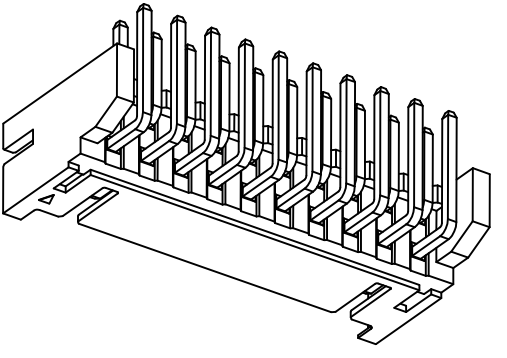
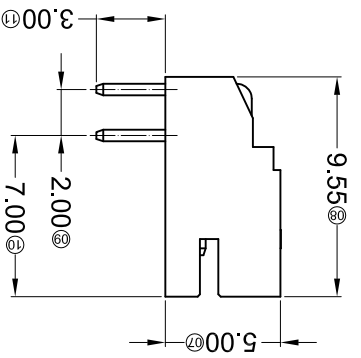
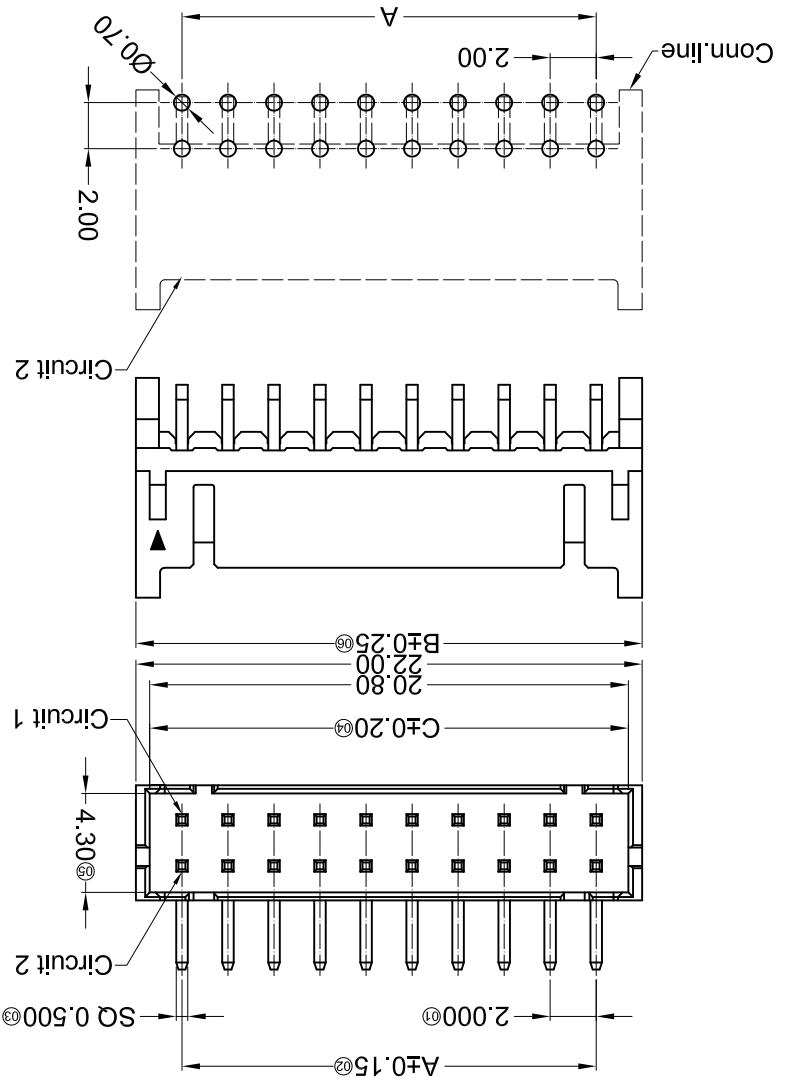


For and on behalf of  
**XKB INDUSTRIAL PRECISION CO., LIMITED**  
 香港星坤工業精密有限公司  
 Authorized Signatures

| MARK | DESCRIPTION | DATE | REVISED | APPROVED | UNSPECIFIED TOLERANCES |
|------|-------------|------|---------|----------|------------------------|
| △ X  |             |      |         |          | L > 63<br>± 0.5        |
| △ X  |             |      |         |          | 16 < L ≤ 63<br>± 0.4   |
| △ X  |             |      |         |          | 4 < L ≤ 16<br>± 0.3    |
|      |             |      |         |          | L ≤ 4<br>± 0.2         |
|      |             |      |         |          | ANGULAR<br>± 5°        |

| REVISION                                     | SHEET | WEIGHT | SIZE | DATE | APPD | DATE | DATE | DATE | SCALE | MODEL TYPE         | PART NO.          | VIEW | UNIT | UNIT | SIZE |
|--|-------|--------|------|------|------|------|------|------|-------|--------------------|-------------------|------|------|------|------|
| A0   | 1/1   | 1.0g   | A4   |      |      |      |      |      | N/A   | X2026WR-2*XX-N0XXX | 2026WR-2*XX-N0XXX | ISO  | mm   | mm   | A4   |
| <b>XKB INDUSTRIAL PRECISION CO., LIMITED</b> |       |        |      |      |      |      |      |      |       |                    |                   |      |      |      |      |

Recommended P.C.B Layout  
 General Tolerance ±0.05



| Dimensions (mm) | Poles | Dimensions (mm) | Poles | Material      | Material (Pn) | Finish (Pn) | Suitable XKB Terminal |
|-----------------|-------|-----------------|-------|---------------|---------------|-------------|-----------------------|
| 2.08            | A     | 2.09            | A     | PA66 UL 94V-0 | Brass         | Gold-Flash  | X2026H                |
| 2.07            | B     | 2.11            | B     |               |               | Thn-Flashed |                       |
| 2.06            | C     | 2.10            | C     |               |               |             |                       |
| 2.05            | A     | 2.09            | A     |               |               |             |                       |
| 2.04            | B     | 2.11            | B     |               |               |             |                       |
| 2.03            | C     | 2.10            | C     |               |               |             |                       |
| 2.02            | A     | 2.09            | A     |               |               |             |                       |
| 2.01            | B     | 2.11            | B     |               |               |             |                       |
| 2.00            | C     | 2.10            | C     |               |               |             |                       |
| 1.99            | A     | 2.09            | A     |               |               |             |                       |
| 1.98            | B     | 2.11            | B     |               |               |             |                       |
| 1.97            | C     | 2.10            | C     |               |               |             |                       |
| 1.96            | A     | 2.09            | A     |               |               |             |                       |
| 1.95            | B     | 2.11            | B     |               |               |             |                       |
| 1.94            | C     | 2.10            | C     |               |               |             |                       |
| 1.93            | A     | 2.09            | A     |               |               |             |                       |
| 1.92            | B     | 2.11            | B     |               |               |             |                       |
| 1.91            | C     | 2.10            | C     |               |               |             |                       |
| 1.90            | A     | 2.09            | A     |               |               |             |                       |
| 1.89            | B     | 2.11            | B     |               |               |             |                       |
| 1.88            | C     | 2.10            | C     |               |               |             |                       |
| 1.87            | A     | 2.09            | A     |               |               |             |                       |
| 1.86            | B     | 2.11            | B     |               |               |             |                       |
| 1.85            | C     | 2.10            | C     |               |               |             |                       |
| 1.84            | A     | 2.09            | A     |               |               |             |                       |
| 1.83            | B     | 2.11            | B     |               |               |             |                       |
| 1.82            | C     | 2.10            | C     |               |               |             |                       |
| 1.81            | A     | 2.09            | A     |               |               |             |                       |
| 1.80            | B     | 2.11            | B     |               |               |             |                       |
| 1.79            | C     | 2.10            | C     |               |               |             |                       |
| 1.78            | A     | 2.09            | A     |               |               |             |                       |
| 1.77            | B     | 2.11            | B     |               |               |             |                       |
| 1.76            | C     | 2.10            | C     |               |               |             |                       |
| 1.75            | A     | 2.09            | A     |               |               |             |                       |
| 1.74            | B     | 2.11            | B     |               |               |             |                       |
| 1.73            | C     | 2.10            | C     |               |               |             |                       |
| 1.72            | A     | 2.09            | A     |               |               |             |                       |
| 1.71            | B     | 2.11            | B     |               |               |             |                       |
| 1.70            | C     | 2.10            | C     |               |               |             |                       |
| 1.69            | A     | 2.09            | A     |               |               |             |                       |
| 1.68            | B     | 2.11            | B     |               |               |             |                       |
| 1.67            | C     | 2.10            | C     |               |               |             |                       |
| 1.66            | A     | 2.09            | A     |               |               |             |                       |
| 1.65            | B     | 2.11            | B     |               |               |             |                       |
| 1.64            | C     | 2.10            | C     |               |               |             |                       |
| 1.63            | A     | 2.09            | A     |               |               |             |                       |
| 1.62            | B     | 2.11            | B     |               |               |             |                       |
| 1.61            | C     | 2.10            | C     |               |               |             |                       |
| 1.60            | A     | 2.09            | A     |               |               |             |                       |
| 1.59            | B     | 2.11            | B     |               |               |             |                       |
| 1.58            | C     | 2.10            | C     |               |               |             |                       |
| 1.57            | A     | 2.09            | A     |               |               |             |                       |
| 1.56            | B     | 2.11            | B     |               |               |             |                       |
| 1.55            | C     | 2.10            | C     |               |               |             |                       |
| 1.54            | A     | 2.09            | A     |               |               |             |                       |
| 1.53            | B     | 2.11            | B     |               |               |             |                       |
| 1.52            | C     | 2.10            | C     |               |               |             |                       |
| 1.51            | A     | 2.09            | A     |               |               |             |                       |
| 1.50            | B     | 2.11            | B     |               |               |             |                       |
| 1.49            | C     | 2.10            | C     |               |               |             |                       |
| 1.48            | A     | 2.09            | A     |               |               |             |                       |
| 1.47            | B     | 2.11            | B     |               |               |             |                       |
| 1.46            | C     | 2.10            | C     |               |               |             |                       |
| 1.45            | A     | 2.09            | A     |               |               |             |                       |
| 1.44            | B     | 2.11            | B     |               |               |             |                       |
| 1.43            | C     | 2.10            | C     |               |               |             |                       |
| 1.42            | A     | 2.09            | A     |               |               |             |                       |
| 1.41            | B     | 2.11            | B     |               |               |             |                       |
| 1.40            | C     | 2.10            | C     |               |               |             |                       |
| 1.39            | A     | 2.09            | A     |               |               |             |                       |
| 1.38            | B     | 2.11            | B     |               |               |             |                       |
| 1.37            | C     | 2.10            | C     |               |               |             |                       |
| 1.36            | A     | 2.09            | A     |               |               |             |                       |
| 1.35            | B     | 2.11            | B     |               |               |             |                       |
| 1.34            | C     | 2.10            | C     |               |               |             |                       |
| 1.33            | A     | 2.09            | A     |               |               |             |                       |
| 1.32            | B     | 2.11            | B     |               |               |             |                       |
| 1.31            | C     | 2.10            | C     |               |               |             |                       |
| 1.30            | A     | 2.09            | A     |               |               |             |                       |
| 1.29            | B     | 2.11            | B     |               |               |             |                       |
| 1.28            | C     | 2.10            | C     |               |               |             |                       |
| 1.27            | A     | 2.09            | A     |               |               |             |                       |
| 1.26            | B     | 2.11            | B     |               |               |             |                       |
| 1.25            | C     | 2.10            | C     |               |               |             |                       |
| 1.24            | A     | 2.09            | A     |               |               |             |                       |
| 1.23            | B     | 2.11            | B     |               |               |             |                       |
| 1.22            | C     | 2.10            | C     |               |               |             |                       |
| 1.21            | A     | 2.09            | A     |               |               |             |                       |
| 1.20            | B     | 2.11            | B     |               |               |             |                       |
| 1.19            | C     | 2.10            | C     |               |               |             |                       |
| 1.18            | A     | 2.09            | A     |               |               |             |                       |
| 1.17            | B     | 2.11            | B     |               |               |             |                       |
| 1.16            | C     | 2.10            | C     |               |               |             |                       |
| 1.15            | A     | 2.09            | A     |               |               |             |                       |
| 1.14            | B     | 2.11            | B     |               |               |             |                       |
| 1.13            | C     | 2.10            | C     |               |               |             |                       |
| 1.12            | A     | 2.09            | A     |               |               |             |                       |
| 1.11            | B     | 2.11            | B     |               |               |             |                       |
| 1.10            | C     | 2.10            | C     |               |               |             |                       |
| 1.09            | A     | 2.09            | A     |               |               |             |                       |
| 1.08            | B     | 2.11            | B     |               |               |             |                       |
| 1.07            | C     | 2.10            | C     |               |               |             |                       |
| 1.06            | A     | 2.09            | A     |               |               |             |                       |
| 1.05            | B     | 2.11            | B     |               |               |             |                       |
| 1.04            | C     | 2.10            | C     |               |               |             |                       |
| 1.03            | A     | 2.09            | A     |               |               |             |                       |
| 1.02            | B     | 2.11            | B     |               |               |             |                       |
| 1.01            | C     | 2.10            | C     |               |               |             |                       |
| 1.00            | A     | 2.09            | A     |               |               |             |                       |

- ① Series No. X2026 W R X-2\*XX X -N0 XXX XX
- ② Category: W-WAFER
- ③ Welding Board Angle: R-Right Angle 90°
- ④ Welding Way: Blank-DIP
- ⑤ Row No.-Pin No.: 2\*XX-2\*02P~2\*22P
- ⑥ Plug the Pin & Special No.:
- ⑦ Material: N0-PA66 94V-0
- ⑧ Plating Category: SN-Bright Tin Plating; V01-All Gold Flash
- ⑨ Color: Blank-Natural Color

- Specifications:
- Voltage rating: 250V AC / DC
  - Current rating: 3A AC / DC
  - Withstanding voltage: 800V AC/minute
  - Temperature range: -25°C~+85°C
  - Insulation resistance: ≥1000MΩ
  - Contact resistance: ≤10mΩ
  - After environmental testing: ≤20mΩ

## X-ON Electronics

Largest Supplier of Electrical and Electronic Components

*Click to view similar products for [Headers & Wire Housings](#) category:*

*Click to view products by [XKB](#) manufacturer:*

Other Similar products are found below :

[95000-104TRLF](#) [10135584-644402LF](#) [DF62W-EP2022PCA](#) [95000-106TRLF](#) [DF62W-2022SCA](#) [DF62W-EP2022PC](#) [2203348](#) [DF62W-2022SC](#) [1084018](#) [1029039](#) [1084017](#) [802-10-012-10-002000](#) [1112640](#) [1112639](#) [891-007-9SS-BST1T](#) [000-34000](#) [0008550134](#) [0009482033](#) [0009507031](#) [57102-F02-18ULF](#) [57102-S06-03LF](#) [57202-S52-04LF](#) [PCN6-15S-2.5E](#) [0039019024](#) [58102-G61-06LF](#) [582553-1](#) [0009485154](#) [0009508121](#) [0022285053](#) [0050291907](#) [018731A](#) [LY20-4P-DT1-P1E-BR](#) [02.125.8002.8](#) [60101931](#) [60598-1 \(Cut Strip\)](#) [M1625-3R/100](#) [61062-3](#) [61082-181009](#) [CSU011177004](#) [636-1427](#) [638009-1](#) [641938-9](#) [641991-4](#) [644168-1](#) [644827-2](#) [647662-1](#) [65039-019ELF](#) [65692-001LF](#) [65781-018](#) [65781-047](#)