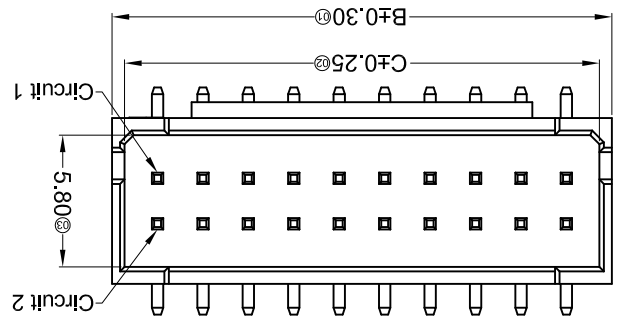
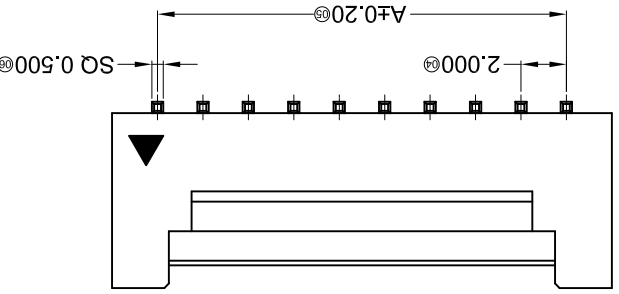
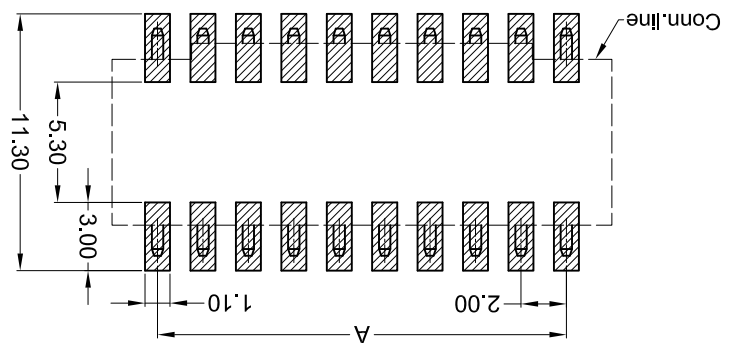


MARK	DESCRIPTION	DATE	REVISED	APPROVED	UNSPECIFIED TOLERANCES
△ X		L > 63			± 0.5
△ X		16 < L ≤ 63			± 0.4
△ X		4 < L ≤ 16			± 0.3
△ X		L ≤ 4			± 0.2
		ANGULAR			± 5°

For and on behalf of
XKB INDUSTRIAL PRECISION CO., LIMITED
 香港星坤工業精密有限公司

Recommended P.C.B Layout
 General Tolerance ± 0.05



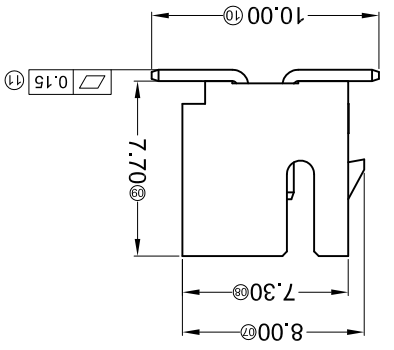
REVISION	SHEET	WEIGHT	XKB INDUSTRIAL PRECISION CO., LIMITED			
A0	1/1	1.0g	DATE	DATE	DATE	DATE
DWG NO.:			UNIT: mm	SIZE: A4	PART NO.:	
2.00mm Crimp Style Connectors			VIEW:		MODEL TYPE: X2026WVS-2*XXD-9TSN	
SCALE: N/A			DATE	DATE	DATE	DATE

PART NO	Material	Material(Fin)	Finish(Fin)	Suitable XKB Terminal
X2026WVS-2*XXD-9TSN	PA9T 94V-0	Brass	Tin-Plated	X2026H-D

Poles	Dimensions (mm)			Poles	Dimensions (mm)		
	A	B	C		A	B	C
2*02	2.00	6.00	4.90	2*09	16.00	20.00	18.90
2*03	4.00	8.00	6.90	2*10	18.00	22.00	20.90
2*04	6.00	10.00	8.90	2*11	20.00	22.90	22.00
2*05	8.00	12.00	10.90	2*12	22.00	24.90	24.00
2*06	10.00	14.00	12.90	2*13	24.00	26.90	26.00
2*07	12.00	16.00	14.90	2*14	26.00	28.90	28.00
2*08	14.00	18.00	16.90	2*15	28.00	30.90	30.00

- ① Series No. X2026 W V S-2*XX D -9T SN XX
- ② Category: W-WAFER
- ③ Welding Board Angle: V-Straight 180°
- ④ Welding Way: S-SMT
- ⑤ Row No.-Pin No.: 2*XX-2*2P-2*30P
- ⑥ Plug the Pin & Special No.: D-With Lock in the middle
- ⑦ Material: 9T -PA9T 94V-0
- ⑧ Plating Category: SN-Bright Tin Plating
- ⑨ Color : Blank-Natural Color

- Specifications :
- Voltage rating: 250V AC / DC
 - Current rating: 3A AC / DC
 - Withstanding voltage: 1000V AC/minute
 - Temperature range: -25°C~+85°C
 - Insulation resistance: ≥1000MΩ
 - Contact resistance: ≤30mΩ
 - After environmental testing: ≤50mΩ



For and on behalf of
XKB INDUSTRIAL PRECISION CO., LIMITED
 香港星坤工業精密有限公司
 Revisions Authorized Signatures(s)

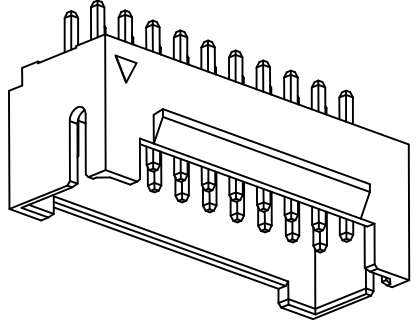
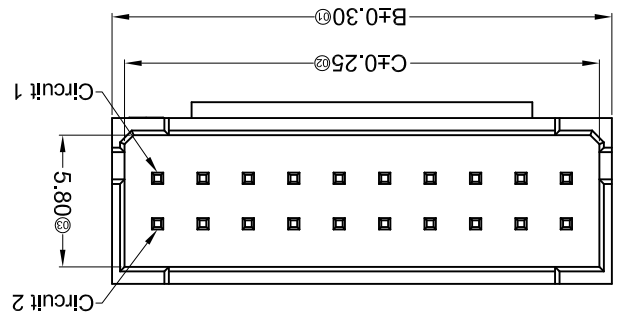
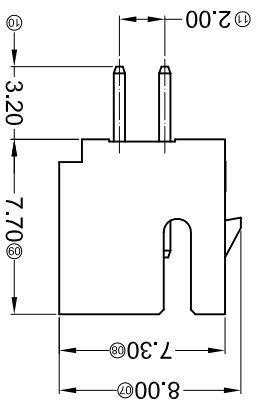
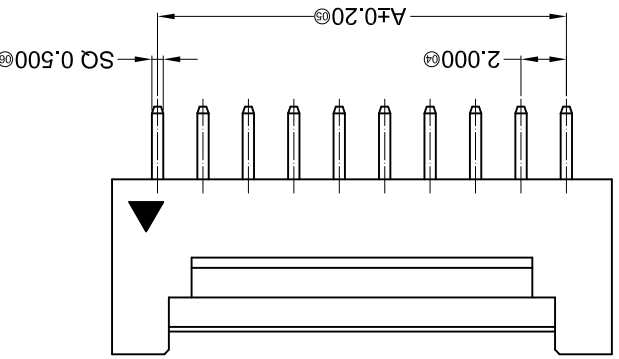
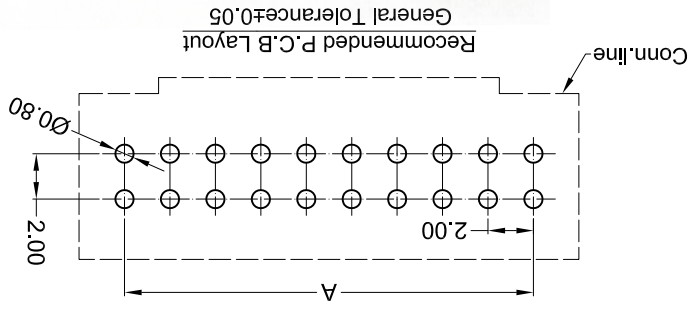
MARK	DESCRIPTION	DATE	REVISED	APPROVED	UNSPECIFIED TOLERANCES
△ X					L > 63
△ X					16 < L ≤ 63
△ X					4 < L ≤ 16
△ X					L ≤ 4
					ANGULAR
					±5°

REVISION	SHEET	WEIGHT	DATE	DATE	DATE	DATE	DATE
A0	1/1	1.0g					

APPD	CHKD	DWN	DSND

SIZE	UNIT	VIEW	SCALE
A4	mm	2-View	N/A

MODEL TYPE	PART NO.	DWG NO.
X2026WV-2*XXD-XXXXX		



Poles	A	B	C	Dimensions (mm)
2*02	2.00	6.00	2*09	18.90
2*03	4.00	8.00	6.90	2*10
2*04	6.00	10.00	8.90	2*11
2*05	8.00	12.00	10.90	2*12
2*06	10.00	14.00	12.90	2*13
2*07	12.00	16.00	14.90	2*14
2*08	14.00	18.00	16.90	2*15
Poles				
Dimensions (mm)				
A	B	C	Dimensions (mm)	
2*16	30.00	34.00	2*16	18.90
2*17	32.00	36.00	2*17	20.90
2*18	34.00	38.00	2*18	22.90
2*19	36.00	40.00	2*19	24.90
2*20	38.00	42.00	2*20	26.90
2*21	40.00	44.00	2*21	28.90
2*22	42.00	46.00	2*22	30.00
2*23	44.00	48.00	2*23	32.00
2*24	46.00	50.00	2*24	34.00
2*25	48.00	52.00	2*25	36.00
2*26	50.00	54.00	2*26	38.00
2*27	52.00	56.00	2*27	40.00
2*28	54.00	58.00	2*28	42.00
2*29	56.00	60.00	2*29	44.00
2*30	58.00	62.00	2*30	46.00
2*31	60.00	64.00	2*31	48.00
2*32	62.00	66.00	2*32	50.00
2*33	64.00	68.00	2*33	52.00
2*34	66.00	70.00	2*34	54.00
2*35	68.00	72.00	2*35	56.00
2*36	70.00	74.00	2*36	58.00
2*37	72.00	76.00	2*37	60.00
2*38	74.00	78.00	2*38	62.00
2*39	76.00	80.00	2*39	64.00
2*40	78.00	82.00	2*40	66.00
2*41	80.00	84.00	2*41	68.00
2*42	82.00	86.00	2*42	70.00
2*43	84.00	88.00	2*43	72.00
2*44	86.00	90.00	2*44	74.00
2*45	88.00	92.00	2*45	76.00
2*46	90.00	94.00	2*46	78.00
2*47	92.00	96.00	2*47	80.00
2*48	94.00	98.00	2*48	82.00
2*49	96.00	100.00	2*49	84.00
2*50	98.00	102.00	2*50	86.00
2*51	100.00	104.00	2*51	88.00
2*52	102.00	106.00	2*52	90.00
2*53	104.00	108.00	2*53	92.00
2*54	106.00	110.00	2*54	94.00
2*55	108.00	112.00	2*55	96.00
2*56	110.00	114.00	2*56	98.00
2*57	112.00	116.00	2*57	100.00
2*58	114.00	118.00	2*58	102.00
2*59	116.00	120.00	2*59	104.00
2*60	118.00	122.00	2*60	106.00
2*61	120.00	124.00	2*61	108.00
2*62	122.00	126.00	2*62	110.00
2*63	124.00	128.00	2*63	112.00
2*64	126.00	130.00	2*64	114.00
2*65	128.00	132.00	2*65	116.00
2*66	130.00	134.00	2*66	118.00
2*67	132.00	136.00	2*67	120.00
2*68	134.00	138.00	2*68	122.00
2*69	136.00	140.00	2*69	124.00
2*70	138.00	142.00	2*70	126.00
2*71	140.00	144.00	2*71	128.00
2*72	142.00	146.00	2*72	130.00
2*73	144.00	148.00	2*73	132.00
2*74	146.00	150.00	2*74	134.00
2*75	148.00	152.00	2*75	136.00
2*76	150.00	154.00	2*76	138.00
2*77	152.00	156.00	2*77	140.00
2*78	154.00	158.00	2*78	142.00
2*79	156.00	160.00	2*79	144.00
2*80	158.00	162.00	2*80	146.00
2*81	160.00	164.00	2*81	148.00
2*82	162.00	166.00	2*82	150.00
2*83	164.00	168.00	2*83	152.00
2*84	166.00	170.00	2*84	154.00
2*85	168.00	172.00	2*85	156.00
2*86	170.00	174.00	2*86	158.00
2*87	172.00	176.00	2*87	160.00
2*88	174.00	178.00	2*88	162.00
2*89	176.00	180.00	2*89	164.00
2*90	178.00	182.00	2*90	166.00
2*91	180.00	184.00	2*91	168.00
2*92	182.00	186.00	2*92	170.00
2*93	184.00	188.00	2*93	172.00
2*94	186.00	190.00	2*94	174.00
2*95	188.00	192.00	2*95	176.00
2*96	190.00	194.00	2*96	178.00
2*97	192.00	196.00	2*97	180.00
2*98	194.00	198.00	2*98	182.00
2*99	196.00	200.00	2*99	184.00
2*100	198.00	202.00	2*100	186.00

- ① Series No.
- ② Category: W-WAFER
- ③ Welding Board Angle: V-Straight 180°
- ④ Welding Way: Blank-DIP
- ⑤ Row No.-Pin No.: 2*XX-2*04P~2*30P
- ⑥ Plug the Pin & Special No.: D-With Lock in the middle
- ⑦ Material: 46 -PA46 94V-0, 9T-PA9T 94V-0,
- ⑧ 4T-PA4T 94V-0
- ⑨ Plating Category: SN-Bright Tin Plating, V03-All Gold-Plated 3u"
- ⑩ Color : Blank-Natural Color

- Specifications :**
- Voltage rating: 250V AC / DC
 - Current rating: 3A AC / DC
 - Withstanding voltage: 1000V AC/minute
 - Temperature range: -25°C~+85°C
 - Insulation resistance: ≥1000MΩ
 - Contact resistance: ≤30mΩ
 - After environmental testing: ≤50mΩ

X2026 W V X-2*XX D -XX XX XX

For and on behalf of
XKB INDUSTRIAL PRECISION CO., LIMITED
 香港星坤工業精密有限公司
 REVISIONS
 Authorized Signatures(s)

MARK	DESCRIPTION	DATE	REVISED	APPROVED	UNSPECIFIED TOLERANCES
△ X					L > 63 ± 0.5
△ X					16 > L ≤ 63 ± 0.4
△ X					4 < L ≤ 16 ± 0.3
△ X					L ≤ 4 ± 0.2
					ANGULAR ± 5°

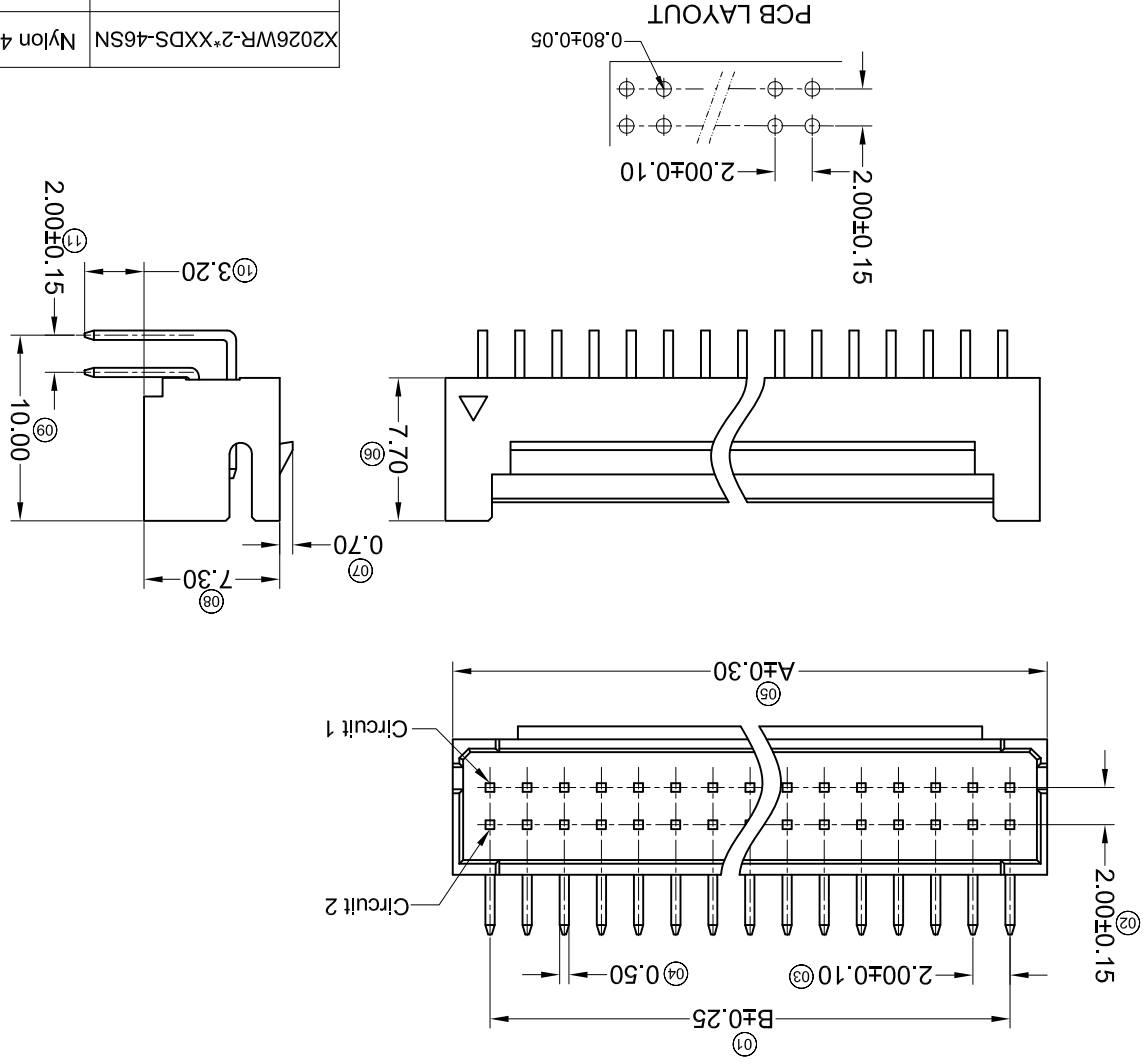
DSND	DATE	SCALE: N/A	MODEL TYPE: X2026WR-2*XXDS-XXSN
DWN	DATE <td>VIEW: </td> <td>PART NO.:</td>	VIEW:	PART NO.:
CHKD	DATE <td>UNIT: mm</td> <td>DWG NO.:</td>	UNIT: mm	DWG NO.:
APPD	DATE <td>SIZE: A4</td> <td>REVISION</td>	SIZE: A4	REVISION
		WEIGHT	1.0g
		SHEET	1/1
		REVISION	A0

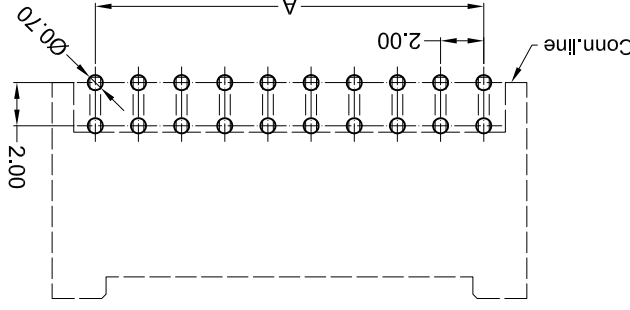
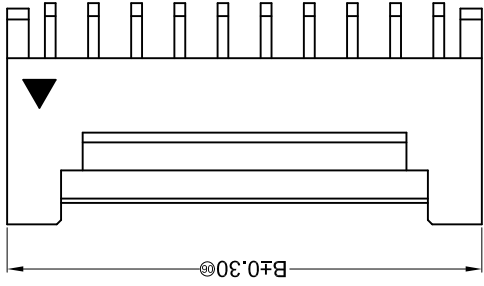
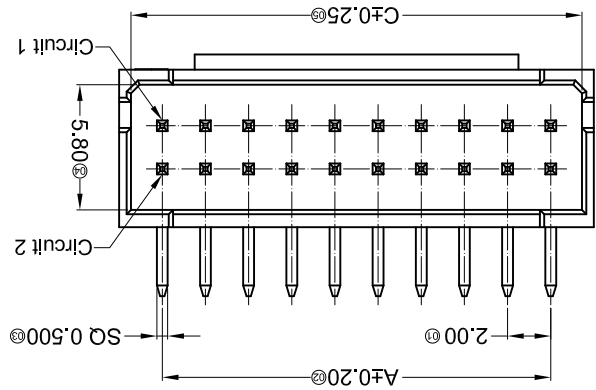
PART NO	Material	Material(Pin)	Finish(Pin)	Suitable XKB Terminal	Q'ty/Bag
X2026WR-2*XXDS-46SN	Nylon 46 UL 94V-0	Brass	Tin-Plated	X2026H-D	1,000Pcs

Poles	A	B
08	10.00	6.00
10	12.00	8.00
12	14.00	10.00
14	16.00	12.00
16	18.00	14.00
18	20.00	16.00
20	22.00	18.00
22	24.00	20.00
24	26.00	22.00
26	28.00	24.00
28	30.00	26.00
30	32.00	28.00
32	34.00	30.00
34	36.00	32.00
36	38.00	34.00
38	40.00	36.00
40	42.00	38.00
60	62.00	58.00

- ① Series No. X2026 WR X-2*XX DS -XX SN XX
 ② Category: W-WAFER
 ③ Welding Board Angle: V-180°; R-90°
 ④ Welding Way: Blank-DIP; S-SMT
 ⑤ Row No.-Pin No.: XX-Single Row; 2*XX-Double Row
 ⑥ Plug the Pin & Special No.:
 ⑦ Material: 46-PA46 94V-0
 ⑧ Plating Category: G**-Gold Plated Contact
 V**- All Gold-Plated
 01-Gold Flash 02-2u" 03-3u"
 05-5u" 10-10u" 15-15u"
 SN-Bright Tin Plating (70-120u")
 SN1-Bright Tin Plating (120u" Min).
 0-No Plating Material
 SW-Fog Tin Plating
 HS-Hight temperature Tin
 ⑨ Color: Blank-Natural Color

- Specifications:
- Voltage rating: 250V AC / DC
 - Current rating: 3A AC / DC
 - Withstanding voltage: 1000V AC/minute
 - Temperature range: -25°C~+85°C
 - Insulation resistance: ≥1000MΩ
 - Contact resistance: ≤30mΩ
 - After environmental testing: ≤50mΩ



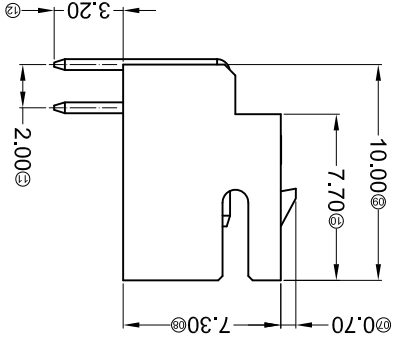
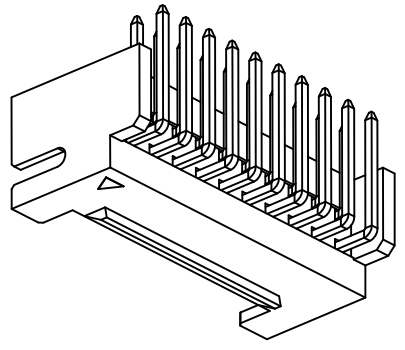


Recommended P.C.B Layout
General Tolerance±0.05

For and on behalf of
XKB INDUSTRIAL PRECISION CO., LIMITED
香港星坤工業精密有限公司

REVISIONS
Authorized Signature(s)

MARK	DESCRIPTION	DATE	REVISED	APPROVED	UNSPECIFIED TOLERANCES
△X					L > 63 ±0.5
△X					16 > L ≤ 63 ±0.4
△X					4 < L ≤ 16 ±0.3
△X					L ≤ 4 ±0.2
					ANGULAR ±5°



Poles	Dimensions (mm)			Poles	Dimensions (mm)		
	A	B	C		A	B	C
2*02	2.00	6.00	4.90	2*09	16.00	20.00	18.90
2*03	4.00	8.00	6.90	2*10	18.00	22.00	20.90
2*04	6.00	10.00	8.90	2*11	20.00	24.00	22.90
2*05	8.00	12.00	10.90	2*12	22.00	26.00	24.90
2*06	10.00	14.00	12.90	2*13	24.00	28.00	26.90
2*07	12.00	16.00	14.90	2*14	26.00	30.00	28.90
2*08	14.00	18.00	16.90	2*15	28.00	32.00	30.90

PART NO	Material	Material(Pin)	Finish(Pin)	Suitable XKB Terminal
X2026WR-2*XXD-4TSN	PA4T 94V-0	Brass	Tin-Plated	2026H-D
X2026WR-2*XXD-46SN	PA46 94V-0	Brass	Tin-Plated	2026H-D

- Specifications :
- Voltage rating: 250V AC / DC
 - Current rating: 3A AC / DC
 - Withstanding voltage: 1000V AC/minute
 - Temperature range: -25°C~+85°C
 - Insulation resistance: ≥1000MΩ
 - Contact resistance: ≤30mΩ
 - After environmental testing: ≤50mΩ

X2026 W R X-2*XX D -46 SN XX
① ② ③ ④ ⑤ ⑥ ⑦ ⑧ ⑨

- Series No.
- Category: W-WAFER
- Welding Board Angle: R-Right Angle 90°
- Welding Way: Blank-DIP
- Row No.-Pin No.: 2*XX-2*04P~2*30P
- Plug the Pin & Special No.: D-With Lock in the middle
- Material: 46 -PA46 94V-0, 4T -PA4T 94V-0
- Plating Category: SN-Bright Tin Plating
- Color : Blank-Natural Color

DSND	DATE	SCALE: N/A	MODEL TYPE:
			X2026WR-2*XXD-XXSN
DWN	DATE	VIEW:	PART NO.:
			2.00mm Crimp Style Connectors
CHKD	DATE	UNIT: mm	DWG NO.:
APPD	DATE	SIZE: A4	REVISION
			WEIGHT 1.0g
			SHEET 1/1
			REVISION A0

XKB INDUSTRIAL PRECISION CO., LIMITED

For and on behalf of
XKB INDUSTRIAL PRECISION CO., LIMITED
 香港星坤工業精密有限公司

Authorized Signature(s)

MARK	DESCRIPTION	DATE	REVISED	APPROVED	UNSPECIFIED TOLERANCES
△ X					L > 63 ± 0.5
△ X					16 < L ≤ 63 ± 0.4
△ X					4 < L ≤ 16 ± 0.3
△ X					L ≤ 4 ± 0.2
					ANGULAR ± 5°

REVISION	SHEET	WEIGHT	DATE	DATE	DATE	DATE	DATE
A0	1/1	1.0g					

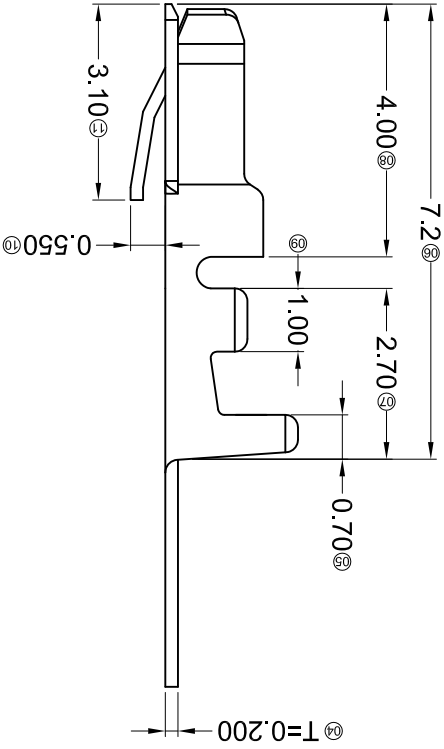
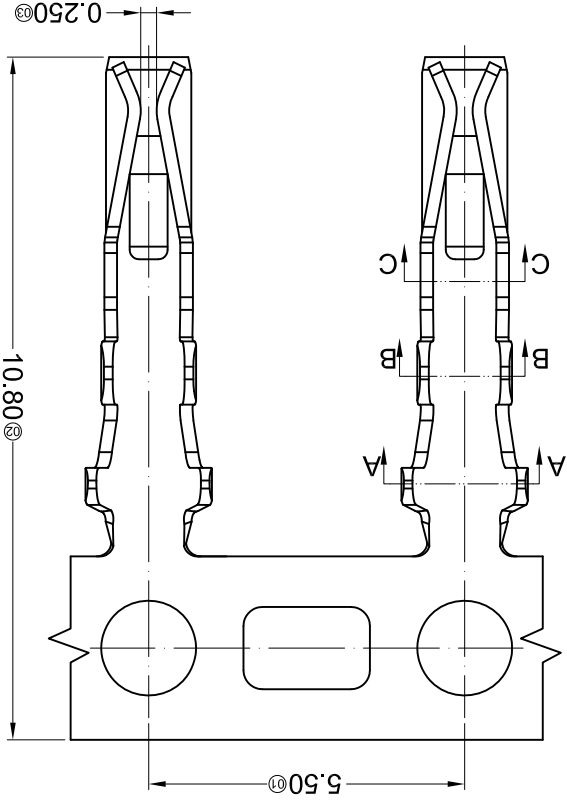
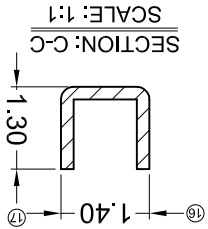
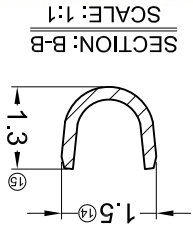
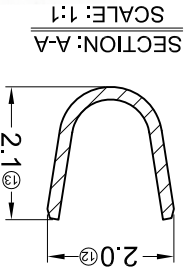
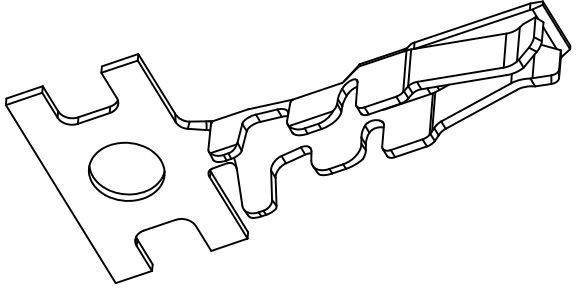
DSND	SCALE: N/A	DATE	VIEW:	UNIT: mm	SIZE: A4

DWN	DATE	PART NO.:	DWG NO.:
		X2026T-PXXX-D	

CHKD	DATE	MODEL TYPE:
		X2026T-PXXX-D

APPD	DATE	REVISION

PART NO	Material	Wire Range	Insulation O.D.	Finish	Suitable XKB
X2026T-PG03-D	Phosphor Bronze	AWG#22-28	1.60mm(Max)	Stamping Before plating:30u" MIN. Ni: 70u" Sn	X2026H-D
X2026T-P22-28	Phosphor Bronze	AWG#22-28	1.60mm(Max)	Stamping Before plating:30u" MIN. Ni: Contact 3u" Au	X2026H-D



■ Specifications :

- Voltage rating: 250V AC / DC
- Current rating: 3A AC / DC
- Withstanding voltage: 1000V AC/minute
- Temperature range: -25°C~+85°C
- Insulation resistance: ≥1000MΩ
- Contact resistance: ≤30mΩ
- After environmental testing: ≤50mΩ

X2026 T X-P SN X - D

①

Series Number

②

Category: T-terminal

③

Shape: Blank-ordinary

④

Material: P-Phosphor bronze

⑤

Plating style:

⑥

SN-Bright tin plating ; G03-Contact Gold Plating 3u"

⑦

Plating method : Blank-Stamping before plating

⑧

Mold No./Mark/Special No.:

⑨

D-Mating 2026H-2*08D Series Following Housing

⑩

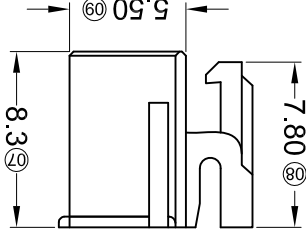
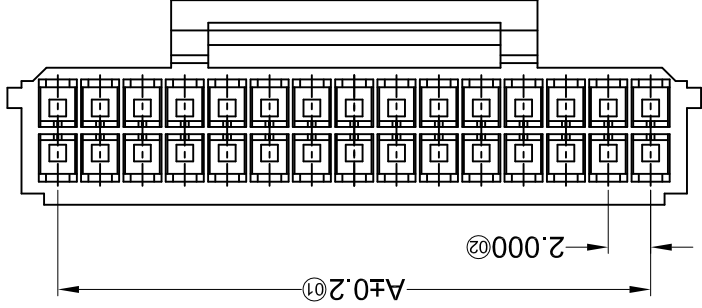
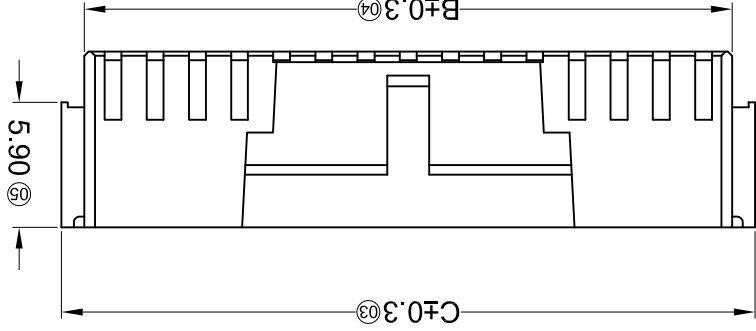
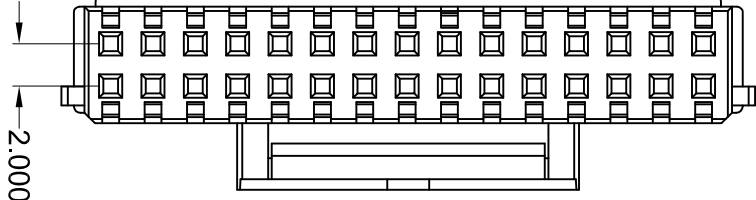
For and on behalf of
XKB INDUSTRIAL PRECISION CO., LIMITED
 香港星坤工業精密有限公司

MARK	DESCRIPTION	DATE	REVISED	APPROVED	UNSPECIFIED TOLERANCES
△ X					L > 63 ± 0.5
△ X					16 > L ≤ 63 ± 0.4
△ X					4 < L ≤ 16 ± 0.3
					L ≤ 4 ± 0.2
					ANGULAR ± 5°

XKB INDUSTRIAL PRECISION CO., LIMITED

WEIGHT	1.0g
SHEET	1/1
REVISION	A0

DATE	DATE	DATE	DATE	DATE	DATE
VIEW:	UNIT: mm	SIZE: A4			
MODEL TYPE: X2026H-2*XXD-N0	PART NO.: X2026H-2*XXD-N0	DWG NO.:			
DNSD	DWN	CHKD	APPD		



PART NO	Material	Suitable XKB Terminal	Suitable XKB Terminal
X2026H-2*XXD-N0	Nylon 66 UL 94V-0	X2026T-D	X2026W-D

Poles	Dimensions (mm)		
	A	B	C
2*02	2.00	4.60	2*12
2*03	4.00	6.60	2*13
2*04	6.00	8.60	2*14
2*05	8.00	10.60	2*15
2*06	10.00	12.60	2*16
2*07	12.00	14.60	2*17
2*08	14.00	16.60	2*18
2*09	16.00	18.60	2*19
2*10	18.00	20.60	2*20
2*11	20.00	22.60	2*21
			2*22

- ① Series No.
 ② Category: H-HSG
 ③ Appearance type: Blank-Ordinary
 ④ Row No.-Pin No.: 2*XX-2*02P~2*22P
 ⑤ Plug the Pin & special No.
 ⑥ Material: N0-PA66 94V-0
 ⑦ Color: Blank-Natural Color

- Specifications :
- Voltage rating: 250V AC / DC
 - Current rating: 3A AC / DC
 - Withstanding voltage: 1000V AC/minute
 - Temperature range: -25°C~+85°C
 - Insulation resistance: ≥100MΩ
 - Contact resistance: ≤30mΩ
 - After environmental testing: ≤50mΩ

X2026 H X-2*XX D-N0 XX
 ① ② ③ ④ ⑤ ⑥ ⑦

X-ON Electronics

Largest Supplier of Electrical and Electronic Components

Click to view similar products for [Headers & Wire Housings](#) category:

Click to view products by [XKB](#) manufacturer:

Other Similar products are found below :

[95000-104TRLF](#) [10135584-644402LF](#) [DF62W-EP2022PCA](#) [95000-106TRLF](#) [DF62W-2022SCA](#) [DF62W-EP2022PC](#) [2203348](#) [DF62W-2022SC](#) [1084018](#) [1029039](#) [1084017](#) [802-10-012-10-002000](#) [1112640](#) [1112639](#) [891-007-9SS-BST1T](#) [000-34000](#) [0008550134](#) [0009482033](#) [0009507031](#) [57102-F02-18ULF](#) [57102-S06-03LF](#) [57202-S52-04LF](#) [PCN6-15S-2.5E](#) [0039019024](#) [58102-G61-06LF](#) [582553-1](#) [0009485154](#) [0009508121](#) [0022285053](#) [0050291907](#) [018731A](#) [LY20-4P-DT1-P1E-BR](#) [02.125.8002.8](#) [60101931](#) [60598-1 \(Cut Strip\)](#) [M1625-3R/100](#) [61062-3](#) [61082-181009](#) [CSU011177004](#) [636-1427](#) [638009-1](#) [641938-9](#) [641991-4](#) [644168-1](#) [644827-2](#) [647662-1](#) [65039-019ELF](#) [65692-001LF](#) [65781-018](#) [65781-047](#)