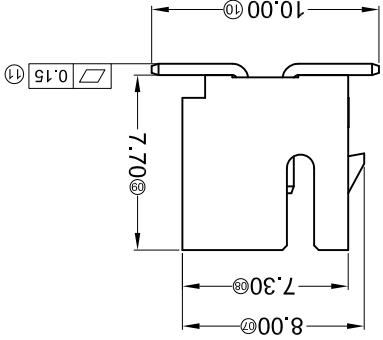
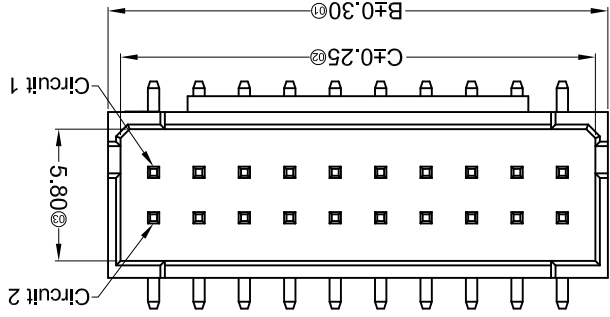
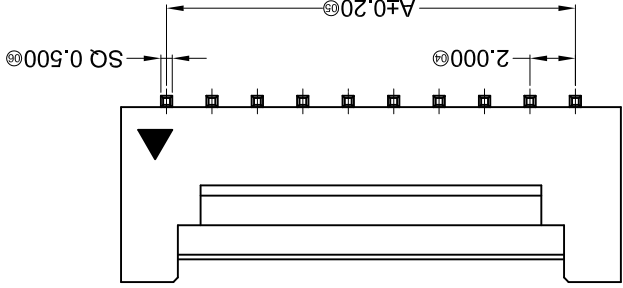
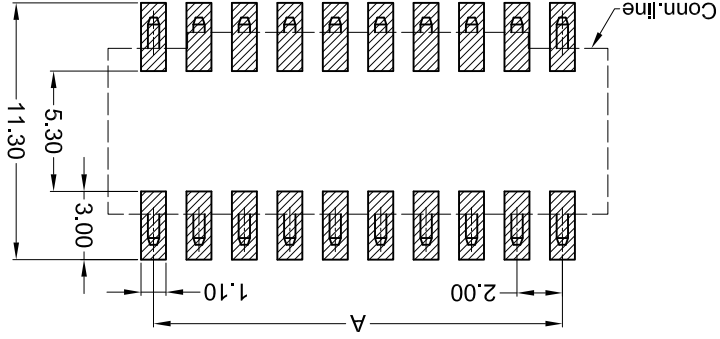


For and on behalf of
XKB INDUSTRIAL PRECISION CO., LIMITED
 香港星坤工業精密有限公司

MARK	DESCRIPTION	DATE	REVISD	APPROVED	UNSPCIFIED TOLERANCES
△ X					L > 63 ± 0.5
△ X					16 < L ≤ 63 ± 0.4
△ X					4 < L ≤ 16 ± 0.3
△ X					L ≤ 4 ± 0.2
					ANGULAR ± 5°

Recommended P.C.B Layout
 General Tolerance ± 0.05



X2026 W V S-2*XX D -9T SN XX

① Series No.

② Category: W-WAFER

③ Welding Board Angle: V-Straight 180°

④ Welding Way: S-SMT

⑤ Row No.-Pin No.: 2*XX-2*2P-2*30P

⑥ Plug the Pin & Special No.: D-With Lock in the middle

⑦ Material: 9T -PA9T 94V-0

⑧ Plating Category: SN-Bright Tin Plating

⑨ Color : Blank-Natural Color

- Voltage rating: 250V AC / DC
- Current rating: 3A AC / DC
- Withstanding voltage: 1000V AC/minute
- Temperature range: -25°C~+85°C
- Insulation resistance: ≥1000MΩ
- Contact resistance: ≤30mΩ
- After environmental testing: ≤50mΩ

■ Specifications :

Poles	Dimensions (mm)		
	A	B	C
2*02	2.00	6.00	4.90
2*03	4.00	8.00	6.90
2*04	6.00	10.00	8.90
2*05	8.00	12.00	10.90
2*06	10.00	14.00	12.90
2*07	12.00	16.00	14.90
2*08	14.00	18.00	16.90
Poles			
Dimensions (mm)			
A	B	C	
2*16	30.00	34.00	32.90
2*17	32.00	36.00	34.90
2*18	34.00	38.00	36.90
2*19	36.00	40.00	38.90
2*20	38.00	42.00	40.90
2*30	58.00	62.00	60.90

PART NO	Material	Material(Fin)	Finish(Fin)	Suitable XKB Terminal
X2026WV-S-2*XXD-9TSN	PA9T 94V-0	Brass	Tin-Plated	X2026H-D

DSND	DATE	SCALE: N/A	MODEL TYPE: X2026WV-S-2*XXD-9TSN
DWN	DATE <td>VIEW: </td> <td>PART NO.: 2.00mm Crimp Style Connectors</td>	VIEW:	PART NO.: 2.00mm Crimp Style Connectors
CHKD	DATE <td>UNIT: mm</td> <td>DWG NO.:</td>	UNIT: mm	DWG NO.:
APPD	DATE <td>SIZE: A4</td> <td></td>	SIZE: A4	

WEIGHT	SHEET	REVISION
1.0g	1/1	A0

For and on behalf of
XKB INDUSTRIAL PRECISION CO., LIMITED
 香港星坤工業精密有限公司
 REVISIONS
 Authorized Signatures(s)

MARK	DESCRIPTION	DATE	REVISED	APPROVED	UNSPECIFIED TOLERANCES
△ X					L > 63 ±0.5
△ X					16 > L ≤ 63 ±0.4
△ X					4 < L ≤ 16 ±0.3
△ X					L ≤ 4 ±0.2
					ANGULAR ±5°

REVISION	SHEET	WEIGHT	SCALE: N/A	DATE	DATE	DATE	DATE	DATE	DATE
A0	1/1	1.0g							

XKB INDUSTRIAL PRECISION CO., LIMITED

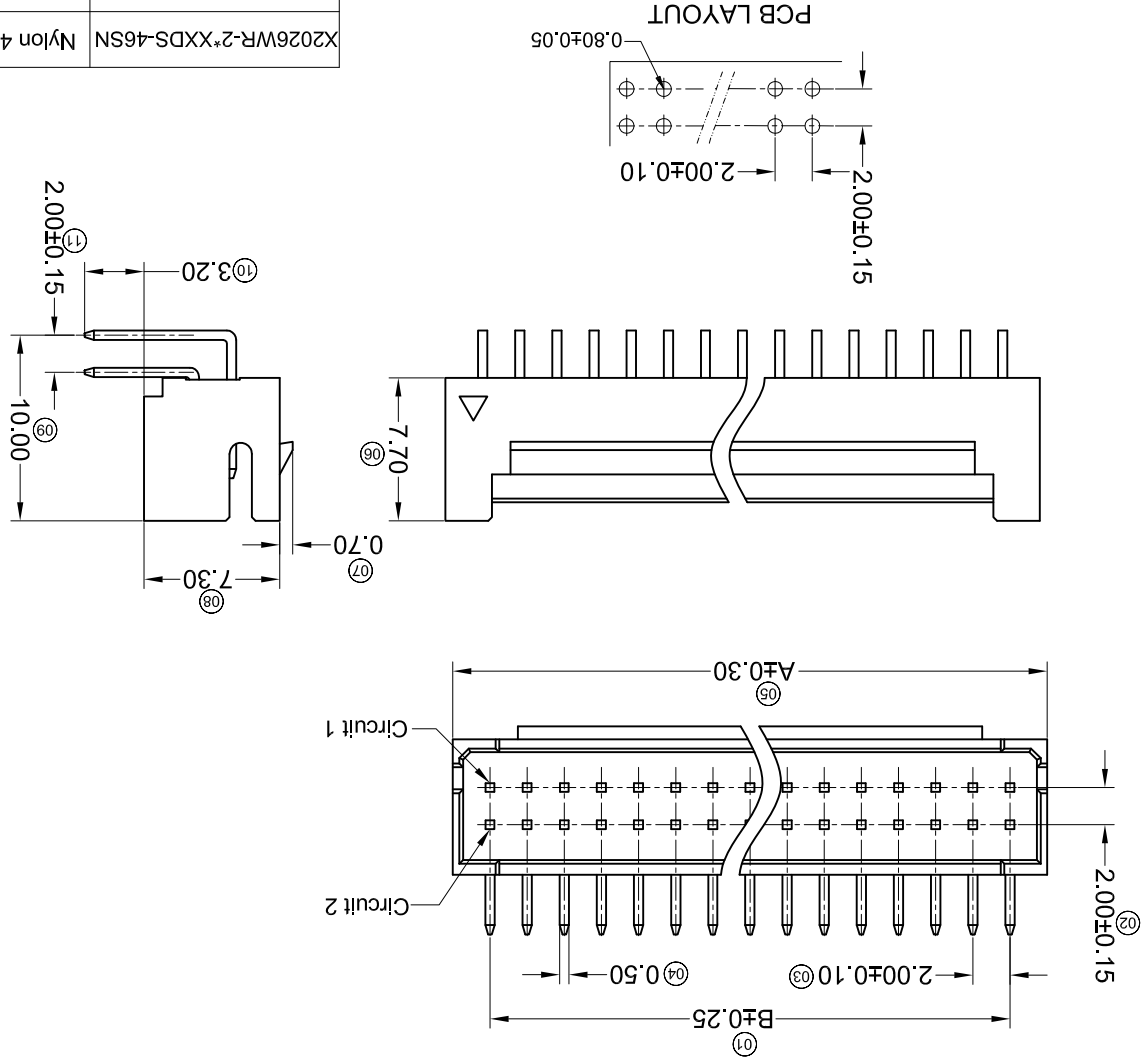
DSND	MODEL TYPE: X2026WR-2*XXDS-XXSN	SCALE: N/A	DATE
DWN	PART NO.: X2026WR-2*XXDS-XXSN	VIEW:	DATE
CHKD	DWG NO.: 2.00 mm Crimp Style Connector	UNIT: mm	DATE
APPD	SIZE: A4		DATE

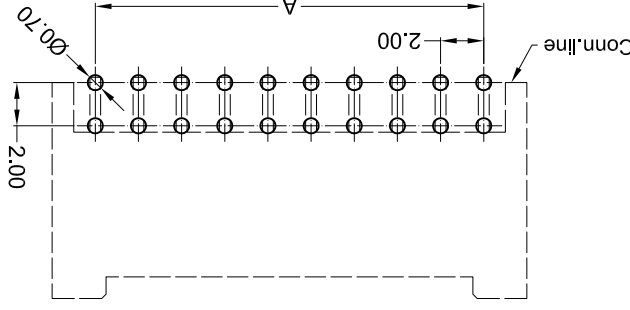
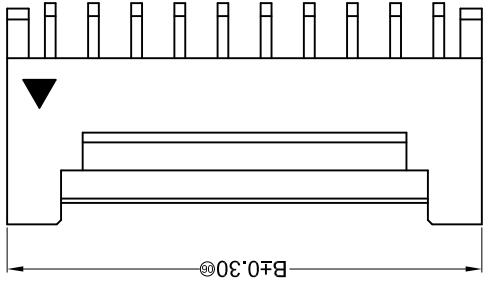
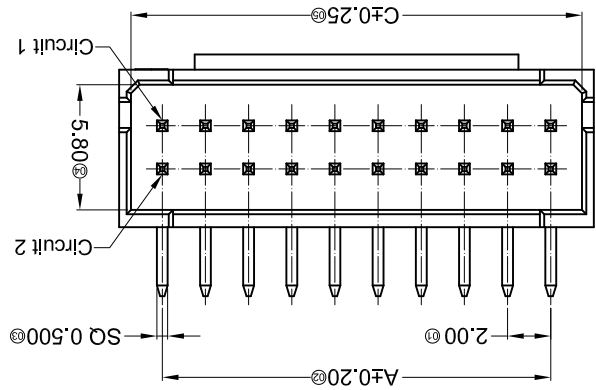
PART NO	Material	Material(Pin)	Finish(Pin)	Suitable XKB Terminal	Q'ty/Bag
X2026WR-2*XXDS-46SN	Nylon 46 UL 94V-0	Brass	Tin-Plated	X2026H-D	1,000Pcs

Poles	A	B
08	10.00	6.00
10	12.00	8.00
12	14.00	10.00
14	16.00	12.00
16	18.00	14.00
18	20.00	16.00
20	22.00	18.00
22	24.00	20.00
24	26.00	22.00
26	28.00	24.00
28	30.00	26.00
30	32.00	28.00
32	34.00	30.00
34	36.00	32.00
36	38.00	34.00
38	40.00	36.00
40	42.00	38.00
60	62.00	58.00

- ① Series No. X2026 WR X-2*XX DS -XX SN XX
- ② Category: W-WAFER
- ③ Welding Board Angle: V-180°; R-90°
- ④ Welding Way: Blank-DIP; S-SMT
- ⑤ Row No.-Pin No.: XX-Single Row; 2*XX-Double Row
- ⑥ Plug the Pin & Special No.:
- ⑦ Material: 46-PA46 94V-0
- ⑧ Plating Category: G**-Gold Plated Contact
- ⑨ V**-All Gold-Plated
- ⑩ 01-Gold Flash 02-2u" 03-3u"
- ⑪ 05-5u" 10-10u" 15-15u"
- ⑫ SN-Bright Tin Plating (70-120u")
- ⑬ SN1-Bright Tin Plating (120u" Min).
- ⑭ 0-No Plating Material
- ⑮ SW-Fog Tin Plating
- ⑯ HS-Hight temperature Tin
- ⑰ Color: Blank-Natural Color

- Specifications:
- Voltage rating: 250V AC / DC
 - Current rating: 3A AC / DC
 - Withstanding voltage: 1000V AC/minute
 - Temperature range: -25°C~+85°C
 - Insulation resistance: ≥1000MΩ
 - Contact resistance: ≤30mΩ
 - After environmental testing: ≤50mΩ



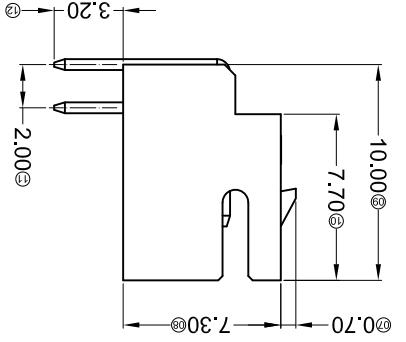
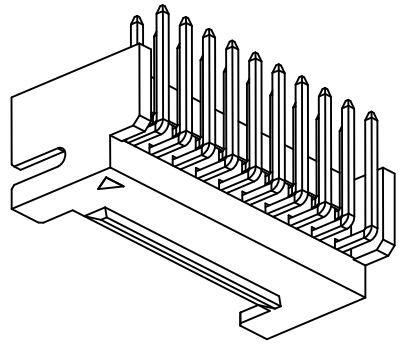


Recommended P.C.B Layout
General Tolerance±0.05

For and on behalf of
XKB INDUSTRIAL PRECISION CO., LIMITED
香港星坤工業精密有限公司

REVISIONS
Authorized Signature(s)

MARK	DESCRIPTION	DATE	REVISED	APPROVED	UNSPECIFIED TOLERANCES
△X					L > 63 ±0.5
△X					16 > L ≤ 63 ±0.4
△X					4 < L ≤ 16 ±0.3
△X					L ≤ 4 ±0.2
					ANGULAR ±5°



Poles	Dimensions (mm)			Poles	Dimensions (mm)		
	A	B	C		A	B	C
2*02	2.00	6.00	4.90	2*09	16.00	20.00	18.90
2*03	4.00	8.00	6.90	2*10	18.00	22.00	20.90
2*04	6.00	10.00	8.90	2*11	20.00	24.00	22.90
2*05	8.00	12.00	10.90	2*12	22.00	26.00	24.90
2*06	10.00	14.00	12.90	2*13	24.00	28.00	26.90
2*07	12.00	16.00	14.90	2*14	26.00	30.00	28.90
2*08	14.00	18.00	16.90	2*15	28.00	32.00	30.90

PART NO	Material	Material(Pin)	Finish(Pin)	Suitable XKB Terminal
X2026WR-2*XXD-4TSN	PA4T 94V-0	Brass	Tin-Plated	2026H-D
X2026WR-2*XXD-46SN	PA46 94V-0	Brass	Tin-Plated	2026H-D

DSND	DATE	SCALE: N/A	MODEL TYPE: X2026WR-2*XXD-XXSN
CHKD	DATE	UNIT: mm	DWG NO.:
APPD	DATE	SIZE: A4	REVISION

XKB INDUSTRIAL PRECISION CO., LIMITED

- Specifications :
- Voltage rating: 250V AC / DC
 - Current rating: 3A AC / DC
 - Withstanding voltage: 1000V AC/minute
 - Temperature range: -25°C~+85°C
 - Insulation resistance: ≥1000MΩ
 - Contact resistance: ≤30mΩ
 - After environmental testing: ≤50mΩ

X2026 W R X-2*XX D -46 SN XX

- Series No.
- Category: W-WAFER
- Welding Board Angle: R-Right Angle 90°
- Welding Way: Blank-DIP
- Row No.-Pin No.: 2*XX-2*04P~2*30P
- Plug the Pin & Special No.: D-With Lock in the middle
- Material: 46 -PA46 94V-0, 4T -PA4T 94V-0
- Plating Category: SN-Bright Tin Plating
- Color : Blank-Natural Color

For and on behalf of
XKB INDUSTRIAL PRECISION CO., LIMITED
 香港星坤工業精密有限公司

Authorized Signature(s)

MARK	DESCRIPTION	DATE	REVISED	APPROVED	UNSPECIFIED TOLERANCES
△ X					L > 63 ±0.5
△ X					16 < L ≤ 63 ±0.4
△ X					4 < L ≤ 16 ±0.3
△ X					L ≤ 4 ±0.2
					ANGULAR ±5°

REVISION	SHEET	WEIGHT	DATE	DATE	DATE	DATE	DATE
A0	1/1	1.0g					

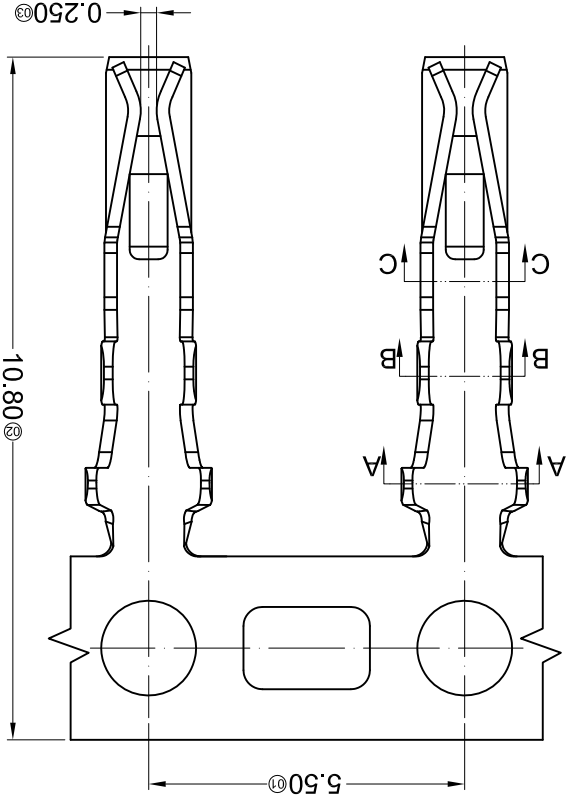
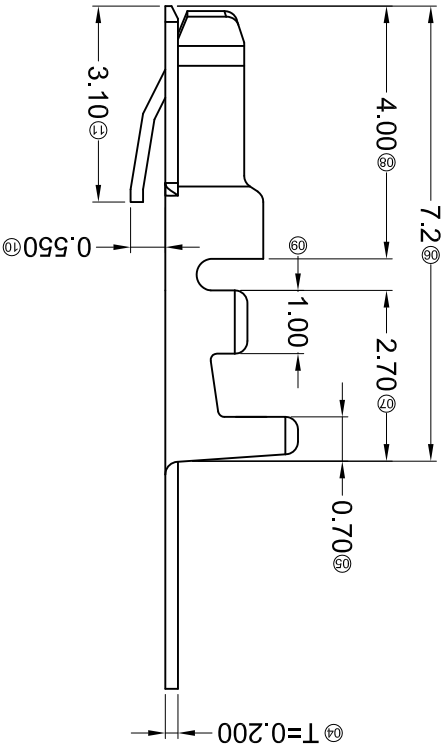
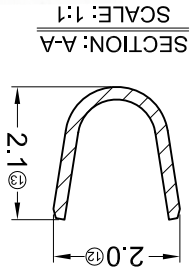
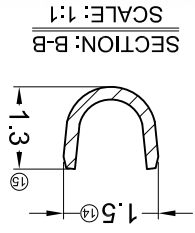
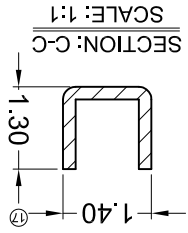
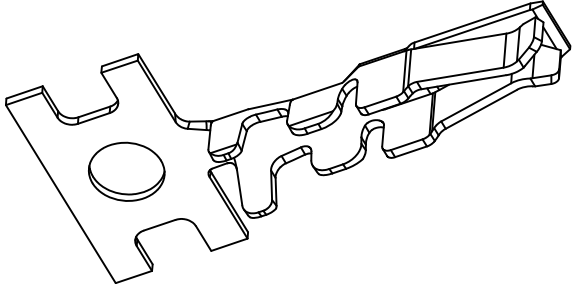
DSND	SCALE: N/A	DATE	VIEW:	UNIT: mm	SIZE: A4

DWN	DATE	PART NO.:	DWG NO.:
		X2026T-PXXX-D	

CHKD	DATE	MODEL TYPE:
		X2026T-PXXX-D

APPD	DATE	REVISION

PART NO	Material	Wire Range	Insulation O.D.	Finish	Suitable XKB
X2026T-PG03-D	Phosphor Bronze	AWG#22-28	1.60mm(Max)	Stamping Before plating:30u" MIN. Ni; 70u" Sn	X2026H-D
X2026T-P22-28	Phosphor Bronze	AWG#22-28	1.60mm(Max)	Stamping Before plating:30u" MIN. Ni; Contact 3u" Au	X2026H-D



- Specifications :
- Voltage rating: 250V AC / DC
 - Current rating: 3A AC / DC
 - Withstanding voltage: 1000V AC/minute
 - Temperature range: -25°C~+85°C
 - Insulation resistance: ≥1000MΩ
 - Contact resistance: ≤30mΩ
 - After environmental testing: ≤50mΩ
- X2026 T X-P SN X - D
- Series Number
 - Category: T-terminal
 - Shape: Blank-ordinary
 - Material: P-Phosphor bronze
 - Plating style:
 - SN-Bright tin plating ; G03-Contact Gold Plating 3u"
 - Plating method : Blank-Stamping before plating
 - Mold No./Mark/Special No.:
 - D-Mating 2026H-2*08D Series Following Housing

For and on behalf of
XKB INDUSTRIAL PRECISION CO., LIMITED
 香港星坤工業精密有限公司

MARK	DESCRIPTION	DATE	REVISED	APPROVED	UNSPECIFIED TOLERANCES
△ X					L > 63 ± 0.5
△ X					16 > L ≤ 63 ± 0.4
△ X					4 < L ≤ 16 ± 0.3
					L ≤ 4 ± 0.2
					ANGULAR ± 5°

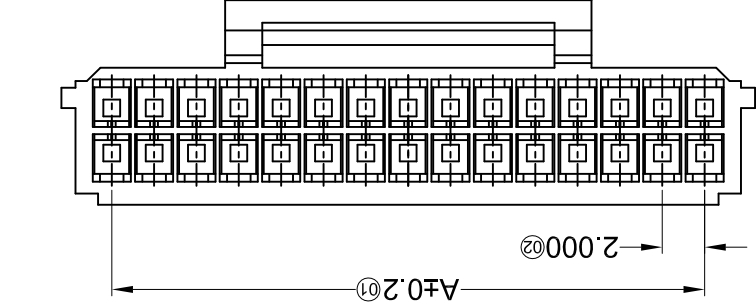
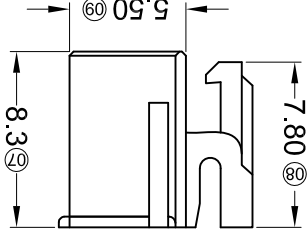
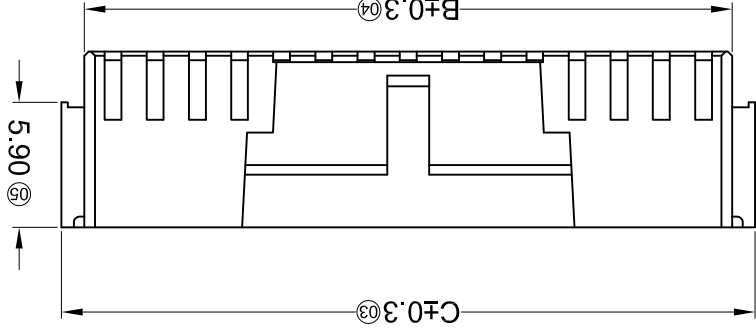
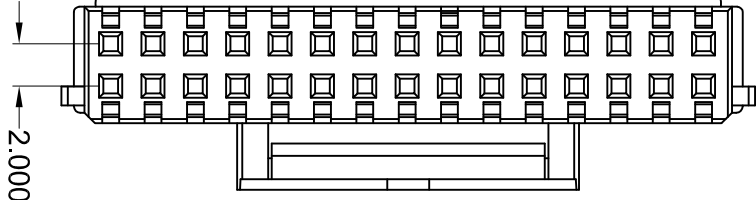
REVISIONS	REVISION		WEIGHT	SHEET	REVISION
			1.0g	1/1	A0

DATE	SCALE: N/A	MODEL TYPE:
		X2026H-2*XXD-N0

DATE	VIEW:	PART NO.:
		2.00mm Crimp Style Connectors

DATE	UNIT: mm	DWG NO.:

DATE	SIZE: A4



- Specifications :
- Voltage rating: 250V AC / DC
 - Current rating: 3A AC / DC
 - Withstanding voltage: 1000V AC/minute
 - Temperature range: -25°C~+85°C
 - Insulation resistance: ≥100MΩ
 - Contact resistance: ≤30mΩ
 - After environmental testing : ≤50mΩ

X2026 H X-2*XX D-N0 XX

① Series No.

② Category: H-HSG

③ Appearance type: Blank-Ordinary

④ Row No.-Pin No.: 2*XX-2*02P~2*22P

⑤ Plug the Pin & special No.:

D-With Lock in the middle

⑥ Material: N0-PA66 94V-0

⑦ Color: Blank-Natural Color

PART NO	Material	Suitable XKB Terminal	Suitable XKB Terminal
X2026H-2*XXD-N0	Nylon 66 UL 94V-0	X2026T-D	X2026W-D

Poles	Dimensions (mm)		
	A	B	C
2*02	2.00	4.60	2*12
2*03	4.00	6.60	2*13
2*04	6.00	8.60	2*14
2*05	8.00	10.60	2*15
2*06	10.00	12.60	2*16
2*07	12.00	14.60	2*17
2*08	14.00	16.60	2*18
2*09	16.00	18.60	2*19
2*10	18.00	20.60	2*20
2*11	20.00	22.60	2*21

X-ON Electronics

Largest Supplier of Electrical and Electronic Components

Click to view similar products for [Headers & Wire Housings](#) category:

Click to view products by [XKB](#) manufacturer:

Other Similar products are found below :

[95000-104TRLF](#) [10135584-644402LF](#) [DF62W-EP2022PCA](#) [95000-106TRLF](#) [DF62W-2022SCA](#) [DF62W-EP2022PC](#) [2203348](#) [DF62W-2022SC](#) [1084018](#) [1029039](#) [1084017](#) [802-10-012-10-002000](#) [1112640](#) [1112639](#) [891-007-9SS-BST1T](#) [000-34000](#) [0008550134](#) [0009482033](#) [0009507031](#) [57102-F02-18ULF](#) [57102-S06-03LF](#) [57202-S52-04LF](#) [PCN6-15S-2.5E](#) [0039019024](#) [58102-G61-06LF](#) [582553-1](#) [0009485154](#) [0009508121](#) [0022285053](#) [0050291907](#) [018731A](#) [LY20-4P-DT1-P1E-BR](#) [02.125.8002.8](#) [60101931](#) [60598-1 \(Cut Strip\)](#) [M1625-3R/100](#) [61062-3](#) [61082-181009](#) [CSU011177004](#) [636-1427](#) [638009-1](#) [641938-9](#) [641991-4](#) [644168-1](#) [644827-2](#) [647662-1](#) [65039-019ELF](#) [65692-001LF](#) [65781-018](#) [65781-047](#)