

For and on behalf of
XKB INDUSTRIAL PRECISION CO., LIMITED
 香港星坤工業精密有限公司

REVISIONS
 Authorized Signature(s)

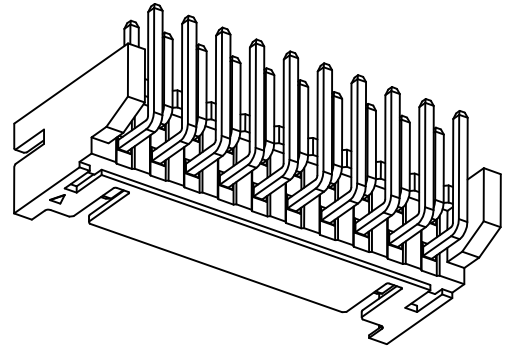
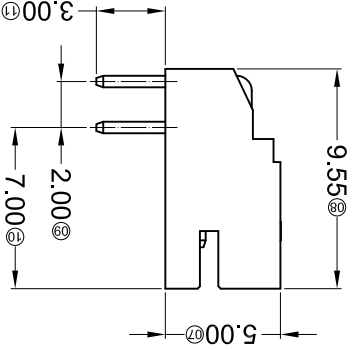
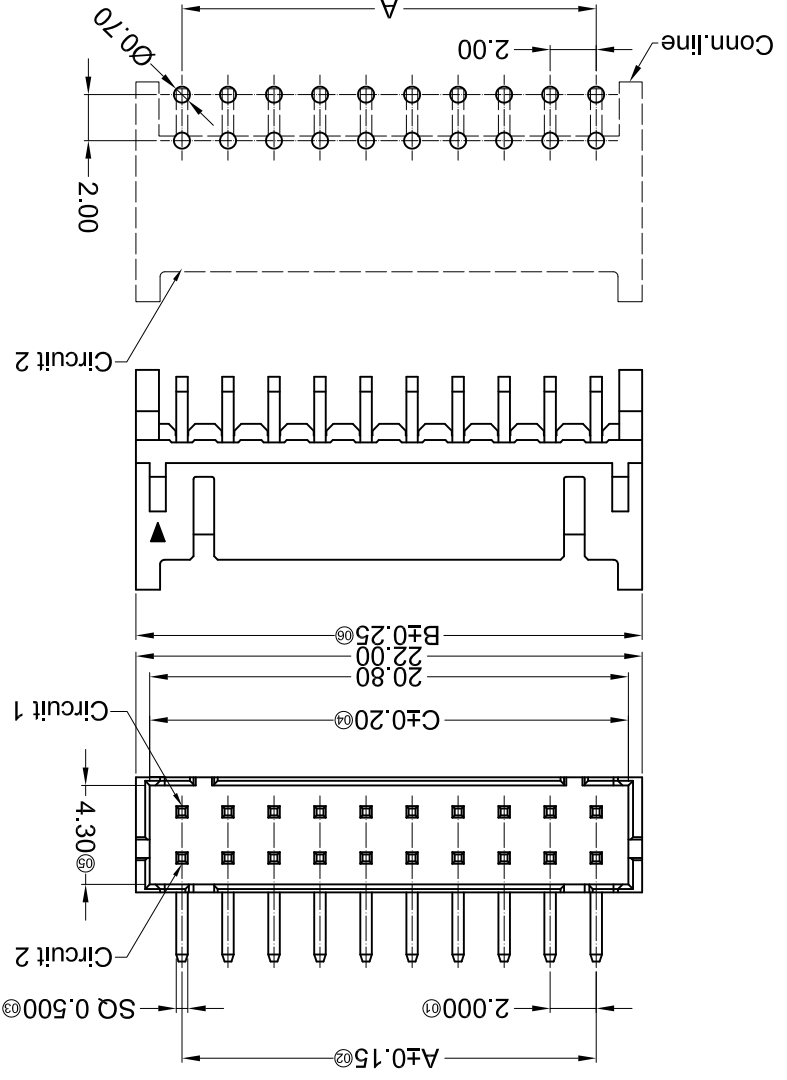
MARK	DESCRIPTION	DATE	REVISED	APPROVED	UNSPECIFIED TOLERANCES
△ X					L > 63
△ X					16 < L ≤ 63
△ X					4 < L ≤ 16
△ X					L ≤ 4
					ANGULAR
					±5°

REVISION	SHEET	WEIGHT	SIZE	DATE	DATE	DATE	DATE
A0	1/1	1.0g	A4				

XKB INDUSTRIAL PRECISION CO., LIMITED

DNSD	SCALE: N/A	MODEL TYPE: X2026WR-2*XX-N0XXX
DWN	VIEW:	PART NO.:
CHKD	UNIT: mm	DWG NO.:
APPD	DATE:	2.00mm Crimp Style Connectors

Recommended P.C.B Layout
 General Tolerance ±0.05



Dimensions (mm)	Poles	Material	Dimensions (mm)	Poles	Material	Dimensions (mm)	Poles
2.08	A	PA66 UL 94V-0	2.09	A	PA66 UL 94V-0	2.08	A
2.07	B		2.11	B		2.07	B
2.06	C		2.10	C		2.06	C
2.05	A		2.09	A		2.05	A
2.04	B		2.11	B		2.04	B
2.03	C		2.10	C		2.03	C
2.02	A		2.09	A		2.02	A
2.01	B		2.11	B		2.01	B
2.00	C		2.10	C		2.00	C
1.99	A		2.09	A		1.99	A
1.98	B		2.11	B		1.98	B
1.97	C		2.10	C		1.97	C
1.96	A		2.09	A		1.96	A
1.95	B		2.11	B		1.95	B
1.94	C		2.10	C		1.94	C
1.93	A		2.09	A		1.93	A
1.92	B		2.11	B		1.92	B
1.91	C		2.10	C		1.91	C
1.90	A		2.09	A		1.90	A
1.89	B		2.11	B		1.89	B
1.88	C		2.10	C		1.88	C
1.87	A		2.09	A		1.87	A
1.86	B		2.11	B		1.86	B
1.85	C		2.10	C		1.85	C
1.84	A		2.09	A		1.84	A
1.83	B		2.11	B		1.83	B
1.82	C		2.10	C		1.82	C
1.81	A		2.09	A		1.81	A
1.80	B		2.11	B		1.80	B
1.79	C		2.10	C		1.79	C
1.78	A		2.09	A		1.78	A
1.77	B		2.11	B		1.77	B
1.76	C		2.10	C		1.76	C
1.75	A		2.09	A		1.75	A
1.74	B		2.11	B		1.74	B
1.73	C		2.10	C		1.73	C
1.72	A		2.09	A		1.72	A
1.71	B		2.11	B		1.71	B
1.70	C		2.10	C		1.70	C
1.69	A		2.09	A		1.69	A
1.68	B		2.11	B		1.68	B
1.67	C		2.10	C		1.67	C
1.66	A		2.09	A		1.66	A
1.65	B		2.11	B		1.65	B
1.64	C		2.10	C		1.64	C
1.63	A		2.09	A		1.63	A
1.62	B		2.11	B		1.62	B
1.61	C		2.10	C		1.61	C
1.60	A		2.09	A		1.60	A
1.59	B		2.11	B		1.59	B
1.58	C		2.10	C		1.58	C
1.57	A		2.09	A		1.57	A
1.56	B		2.11	B		1.56	B
1.55	C		2.10	C		1.55	C
1.54	A		2.09	A		1.54	A
1.53	B		2.11	B		1.53	B
1.52	C		2.10	C		1.52	C
1.51	A		2.09	A		1.51	A
1.50	B		2.11	B		1.50	B
1.49	C		2.10	C		1.49	C
1.48	A		2.09	A		1.48	A
1.47	B		2.11	B		1.47	B
1.46	C		2.10	C		1.46	C
1.45	A		2.09	A		1.45	A
1.44	B		2.11	B		1.44	B
1.43	C		2.10	C		1.43	C
1.42	A		2.09	A		1.42	A
1.41	B		2.11	B		1.41	B
1.40	C		2.10	C		1.40	C
1.39	A		2.09	A		1.39	A
1.38	B		2.11	B		1.38	B
1.37	C		2.10	C		1.37	C
1.36	A		2.09	A		1.36	A
1.35	B		2.11	B		1.35	B
1.34	C		2.10	C		1.34	C
1.33	A		2.09	A		1.33	A
1.32	B		2.11	B		1.32	B
1.31	C		2.10	C		1.31	C
1.30	A		2.09	A		1.30	A
1.29	B		2.11	B		1.29	B
1.28	C		2.10	C		1.28	C
1.27	A		2.09	A		1.27	A
1.26	B		2.11	B		1.26	B
1.25	C		2.10	C		1.25	C
1.24	A		2.09	A		1.24	A
1.23	B		2.11	B		1.23	B
1.22	C		2.10	C		1.22	C
1.21	A		2.09	A		1.21	A
1.20	B		2.11	B		1.20	B
1.19	C		2.10	C		1.19	C
1.18	A		2.09	A		1.18	A
1.17	B		2.11	B		1.17	B
1.16	C		2.10	C		1.16	C
1.15	A		2.09	A		1.15	A
1.14	B		2.11	B		1.14	B
1.13	C		2.10	C		1.13	C
1.12	A		2.09	A		1.12	A
1.11	B		2.11	B		1.11	B
1.10	C		2.10	C		1.10	C
1.09	A		2.09	A		1.09	A
1.08	B		2.11	B		1.08	B
1.07	C		2.10	C		1.07	C
1.06	A		2.09	A		1.06	A
1.05	B		2.11	B		1.05	B
1.04	C		2.10	C		1.04	C
1.03	A		2.09	A		1.03	A
1.02	B		2.11	B		1.02	B
1.01	C		2.10	C		1.01	C

- ① Series No. X2026 W R X-2*XX X -N0 XXX XX
- ② Category: W-WAFER
- ③ Welding Board Angle: R-Right Angle 90°
- ④ Welding Way: Blank-DIP
- ⑤ Row No.-Pin No.: 2*XX-2*02P~2*22P
- ⑥ Plug the Pin & Special No.:
- ⑦ Material: N0-PA66 94V-0
- ⑧ Plating Category: SN-Bright Tin Plating;
- ⑨ V01-All Gold Flash
- ⑩ Color: Blank-Natural Color

- Specifications:
- Voltage rating: 250V AC / DC
 - Current rating: 3A AC / DC
 - Withstanding voltage: 800V AC/minute
 - Temperature range: -25°C~+85°C
 - Insulation resistance: ≥1000MΩ
 - Contact resistance: ≤10mΩ
 - After environmental testing: ≤20mΩ

X-ON Electronics

Largest Supplier of Electrical and Electronic Components

Click to view similar products for [Headers & Wire Housings](#) category:

Click to view products by [XKB](#) manufacturer:

Other Similar products are found below :

[95000-104TRLF](#) [10135584-644402LF](#) [DF62W-EP2022PCA](#) [95000-106TRLF](#) [DF62W-2022SCA](#) [DF62W-EP2022PC](#) [2203348](#) [DF62W-2022SC](#) [1084018](#) [1029039](#) [1084017](#) [802-10-012-10-002000](#) [1112640](#) [1112639](#) [891-007-9SS-BST1T](#) [000-34000](#) [0008550134](#) [0009482033](#) [0009507031](#) [57102-F02-18ULF](#) [57102-S06-03LF](#) [57202-S52-04LF](#) [PCN6-15S-2.5E](#) [0039019024](#) [58102-G61-06LF](#) [582553-1](#) [0009485154](#) [0009508121](#) [0022285053](#) [0050291907](#) [018731A](#) [LY20-4P-DT1-P1E-BR](#) [02.125.8002.8](#) [60101931](#) [60598-1 \(Cut Strip\)](#) [M1625-3R/100](#) [61062-3](#) [61082-181009](#) [CSU011177004](#) [636-1427](#) [638009-1](#) [641938-9](#) [641991-4](#) [644168-1](#) [644827-2](#) [647662-1](#) [65039-019ELF](#) [65692-001LF](#) [65781-018](#) [65781-047](#)