

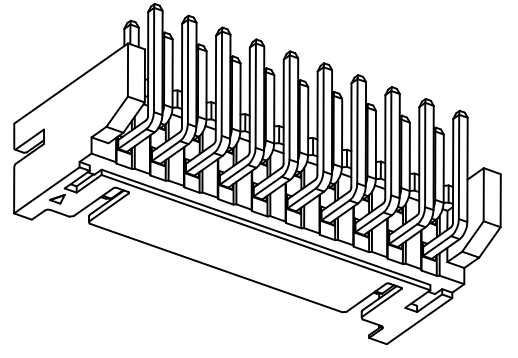
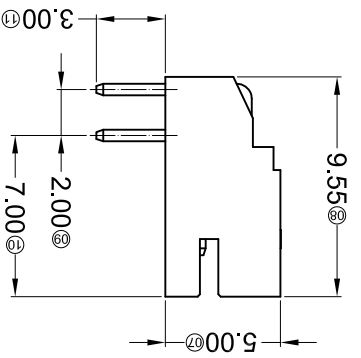
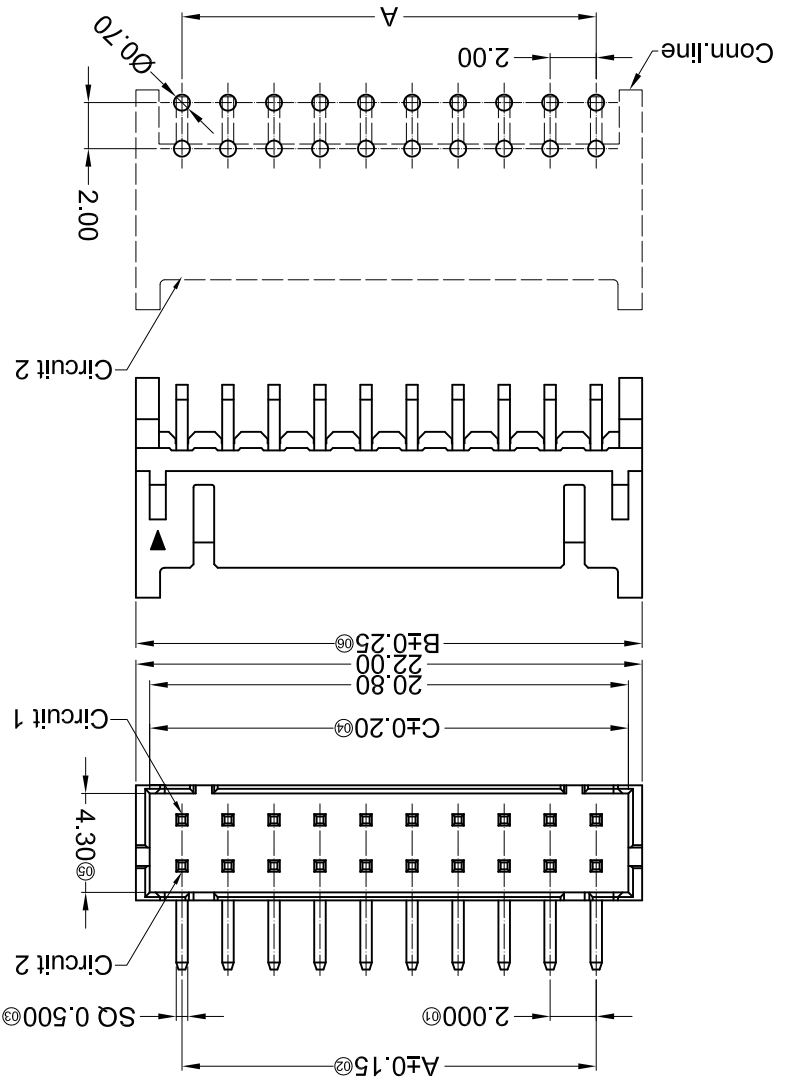
For and on behalf of  
**XKB INDUSTRIAL PRECISION CO., LIMITED**  
 香港星坤工業精密有限公司

REVISIONS  
 Authorized Signature(s)

MARK	DESCRIPTION	DATE	REVISED	APPROVED	UNSPECIFIED TOLERANCES
△ X					L > 63
△ X					16 < L ≤ 63
△ X					4 < L ≤ 16
△ X					L ≤ 4
					ANGULAR ±5°

<b>DSND</b>	DATE	SCALE: N/A	MODEL TYPE: X2026WR-2*XX-N0XXX
<b>DWN</b>	DATE	VIEW:	PART NO.:
<b>CHKD</b>	DATE	UNIT: mm	DWG NO.:
<b>APPD</b>	DATE	SIZE: A4	WEIGHT 1.0g
			SHEET 1/1
			REVISION A0

Recommended P.C.B Layout  
 General Tolerance±0.05



Dimensions (mm)	Poles	Material	Dimensions (mm)	Poles	Dimensions (mm)
2*08	A	PA66 UL 94V-0	2*15	A	2*08
2*07	B		2*14	B	2*07
2*06	C	Brass	2*13	C	2*06
2*05	A		2*12	A	2*05
2*04	B	Gold-Flash	2*11	B	2*04
2*03	C		2*10	C	2*03
2*02	A	Thru-Plated	2*09	A	2*02
2*01	B		2*08	B	2*01
2*00	C	Suitable XKB Terminal	2*07	C	2*00
1*99	A		2*06	A	1*99

- ① Series No. X2026 W R X-2\*XX X -N0 XXX XX
- ② Category: W-WAFER
- ③ Welding Board Angle: R-Right Angle 90°
- ④ Welding Way: Blank-DIP
- ⑤ Row No.-Pin No.: 2\*XX-2\*02P~2\*22P
- ⑥ Plug the Pin & Special No.:
- ⑦ Material: N0-PA66 94V-0
- ⑧ Plating Category: SN-Bright Tin Plating;
- ⑨ Color: Blank-Natural Color

- Specifications:
- Voltage rating: 250V AC / DC
  - Current rating: 3A AC / DC
  - Withstanding voltage: 800V AC/minute
  - Temperature range: -25°C~+85°C
  - Insulation resistance: ≥1000MΩ
  - Contact resistance: ≤10mΩ
  - After environmental testing: ≤20mΩ

## X-ON Electronics

Largest Supplier of Electrical and Electronic Components

*Click to view similar products for [Headers & Wire Housings](#) category:*

*Click to view products by [XKB](#) manufacturer:*

Other Similar products are found below :

[95000-104TRLF](#) [10135584-644402LF](#) [DF62W-EP2022PCA](#) [95000-106TRLF](#) [DF62W-2022SCA](#) [DF62W-EP2022PC](#) [2203348](#) [DF62W-2022SC](#) [1084018](#) [1029039](#) [1084017](#) [802-10-012-10-002000](#) [1112640](#) [1112639](#) [891-007-9SS-BST1T](#) [000-34000](#) [0008550134](#) [0009482033](#) [0009507031](#) [57102-F02-18ULF](#) [57102-S06-03LF](#) [57202-S52-04LF](#) [PCN6-15S-2.5E](#) [0039019024](#) [58102-G61-06LF](#) [582553-1](#) [0009485154](#) [0009508121](#) [0022285053](#) [0050291907](#) [018731A](#) [LY20-4P-DT1-P1E-BR](#) [02.125.8002.8](#) [60101931](#) [60598-1 \(Cut Strip\)](#) [M1625-3R/100](#) [61062-3](#) [61082-181009](#) [CSU011177004](#) [636-1427](#) [638009-1](#) [641938-9](#) [641991-4](#) [644168-1](#) [644827-2](#) [647662-1](#) [65039-019ELF](#) [65692-001LF](#) [65781-018](#) [65781-047](#)