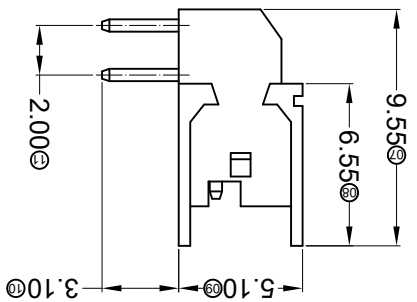
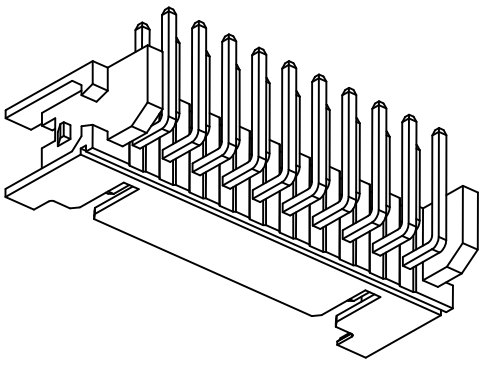
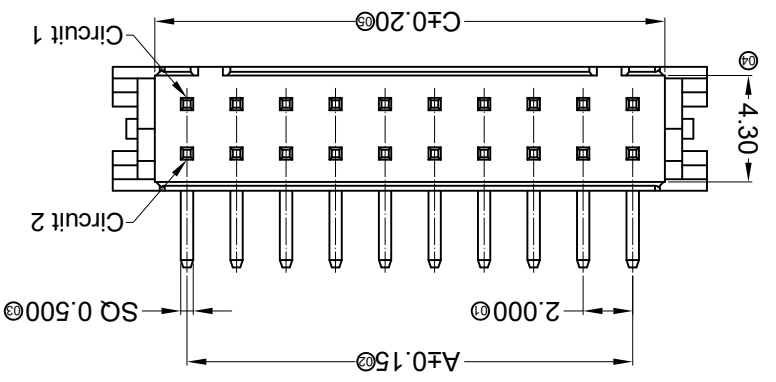
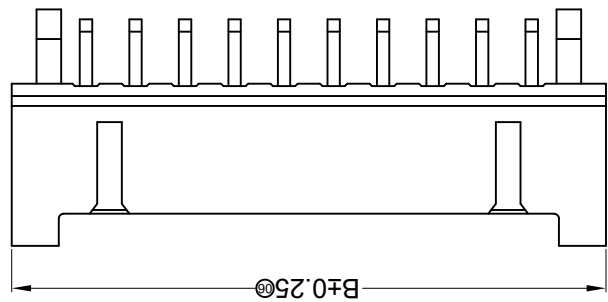
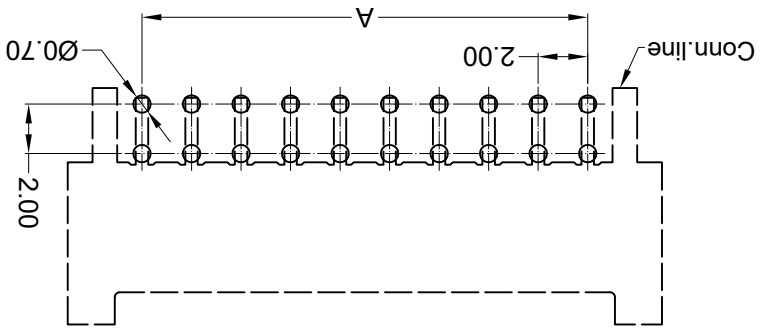


REVISIONS		UNSPECIFIED TOLERANCES	
MARK	DESCRIPTION	DATE	APPROVED
△ X		L > 63	± 0.5
△ X		16 < L ≤ 63	± 0.4
△ X		4 < L ≤ 16	± 0.3
△ X		L ≤ 4	± 0.2
		ANGULAR	± 5°

For and on behalf of
XKB INDUSTRIAL PRECISION CO., LIMITED
 香港星坤工業精密有限公司

REVISION	SHEET	WEIGHT	XKB INDUSTRIAL PRECISION CO., LIMITED		
A0	1/1	1.0g	DATE	DATE	DATE
DWG NO.:			UNIT: mm	SIZE: A4	
PART NO.:			VIEW:	DATE	
MODEL TYPE: X2026WR-2*XXA-XXSN			SCALE: N/A	DATE	



PART NO	Material	Material(Pln)	Finish(Pln)	Suitable XRB Terminal
X2026WR-2*XXA-9TSN	PA9T UL 94V-0	Brass	Tin-Plated	X2026H-A
X2026WR-2*XXA-N0SN	PA66 UL 94V-0			

Poles	Dimensions (mm)		
	A	B	C
2*02	2.00	8.00	4.60
2*03	4.00	10.00	6.60
2*04	6.00	12.00	8.60
2*05	8.00	14.00	10.60
2*06	10.00	16.00	12.60
2*07	12.00	18.00	14.60
2*08	14.00	20.00	16.60
	2*15	28.00	28.00
	2*14	26.00	32.00
	2*13	24.00	30.00
	2*12	22.00	28.00
	2*11	20.00	26.00
	2*10	18.00	24.00
	2*09	16.00	22.00
	2*16	30.00	36.00
	2*17	32.00	38.00
	2*18	34.00	40.00
	2*19	36.00	42.00
	2*20	38.00	44.00
	2*21	40.00	46.00
	2*22	42.00	48.00
	2*23	44.00	50.00

- ① Series No. X2026 W R-2*XX A-XX SN
- ② Category: W-WAFER
- ③ Welding Board Angle: R-Right Angle 90°
- ④ Row No.-Pin No.: 2*XX-2*02P-2*20P
- ⑤ Plug the Pin & Special No.:
- ⑥ A- With Lock on both side
- ⑦ Material: 9T-PA9T 94V-0; NO-PA66 94V-0
- ⑧ Plating Category: SN-Bright Tin Plating

- Specifications:
- Voltage rating: 250V AC / DC
 - Current rating: 3A AC / DC
 - Withstanding voltage: 800V AC/minute
 - Temperature range: -25°C~+85°C
 - Insulation resistance: ≥1000MΩ
 - Contact resistance: ≤10mΩ
 - After environmental testing: ≤20mΩ

X-ON Electronics

Largest Supplier of Electrical and Electronic Components

Click to view similar products for [Headers & Wire Housings](#) category:

Click to view products by [XKB](#) manufacturer:

Other Similar products are found below :

[95000-104TRLF](#) [10135584-644402LF](#) [DF62W-EP2022PCA](#) [95000-106TRLF](#) [DF62W-2022SCA](#) [DF62W-EP2022PC](#) [2203348](#) [DF62W-2022SC](#) [1084018](#) [1029039](#) [1084017](#) [802-10-012-10-002000](#) [1112640](#) [1112639](#) [891-007-9SS-BST1T](#) [000-34000](#) [0008550134](#) [0009482033](#) [0009507031](#) [57102-F02-18ULF](#) [57102-S06-03LF](#) [57202-S52-04LF](#) [PCN6-15S-2.5E](#) [0039019024](#) [58102-G61-06LF](#) [582553-1](#) [0009485154](#) [0009508121](#) [0022285053](#) [0050291907](#) [018731A](#) [LY20-4P-DT1-P1E-BR](#) [02.125.8002.8](#) [60101931](#) [60598-1 \(Cut Strip\)](#) [M1625-3R/100](#) [61062-3](#) [61082-181009](#) [CSU011177004](#) [636-1427](#) [638009-1](#) [641938-9](#) [641991-4](#) [644168-1](#) [644827-2](#) [647662-1](#) [65039-019ELF](#) [65692-001LF](#) [65781-018](#) [65781-047](#)