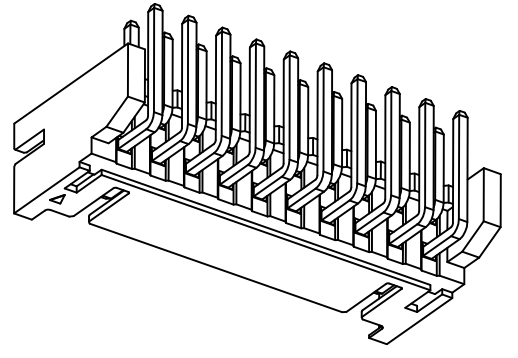
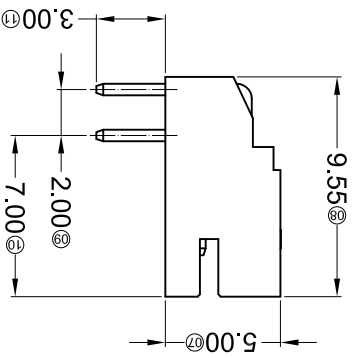
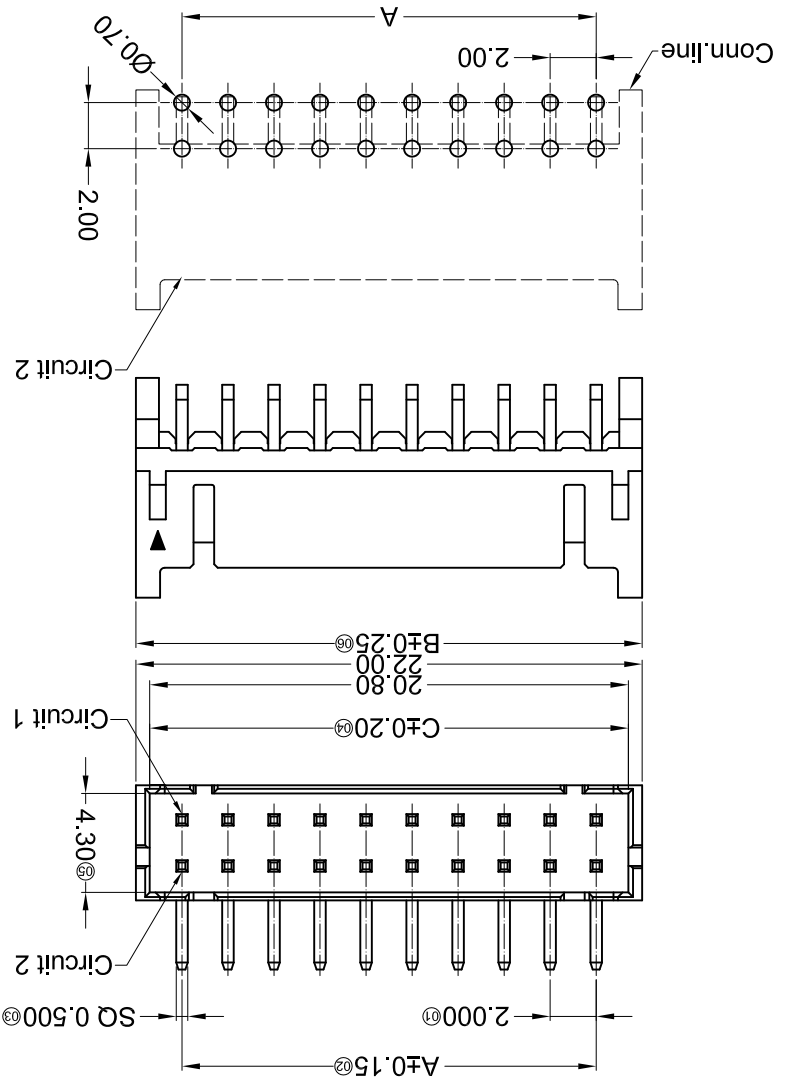


For and on behalf of
XKB INDUSTRIAL PRECISION CO., LIMITED
 香港星洲工業精密有限公司
 REVISIONS
 Authorized Signature(s)

MARK	DESCRIPTION	DATE	REVISED	APPROVED	UNSPECIFIED TOLERANCES
△ X					L > 63
△ X					16 < L ≤ 63
△ X					4 < L ≤ 16
△ X					L ≤ 4
					ANGULAR ±5°

REVISION	SHEET	WEIGHT	SIZE	DATE	DATE	DATE	DATE
A0	1/1	1.0g	A4				

Recommended P.C.B Layout
 General Tolerance ±0.05



Dimensions (mm)	Poles	Dimensions (mm)	Poles	Material	Material (Pn)	Finish (Pn)	Suitable XKB Terminal
2'08	A	2'09	A	PA66 UL 94V-0	Brass	Th-Plated	X2026HR-2*XX-N05N
2'07	B	2'11	B			Gold-Flash	X2026H
2'06	C	2'10	C				
2'05	A	2'09	A				
2'04	B	2'11	B				
2'03	C	2'10	C				
2'02	A	2'09	A				
2'01	B	2'11	B				
2'00	C	2'10	C				
1'99	A	2'09	A				
1'98	B	2'11	B				
1'97	C	2'10	C				
1'96	A	2'09	A				
1'95	B	2'11	B				
1'94	C	2'10	C				
1'93	A	2'09	A				
1'92	B	2'11	B				
1'91	C	2'10	C				
1'90	A	2'09	A				
1'89	B	2'11	B				
1'88	C	2'10	C				
1'87	A	2'09	A				
1'86	B	2'11	B				
1'85	C	2'10	C				
1'84	A	2'09	A				
1'83	B	2'11	B				
1'82	C	2'10	C				
1'81	A	2'09	A				
1'80	B	2'11	B				
1'79	C	2'10	C				
1'78	A	2'09	A				
1'77	B	2'11	B				
1'76	C	2'10	C				
1'75	A	2'09	A				
1'74	B	2'11	B				
1'73	C	2'10	C				
1'72	A	2'09	A				
1'71	B	2'11	B				
1'70	C	2'10	C				
1'69	A	2'09	A				
1'68	B	2'11	B				
1'67	C	2'10	C				
1'66	A	2'09	A				
1'65	B	2'11	B				
1'64	C	2'10	C				
1'63	A	2'09	A				
1'62	B	2'11	B				
1'61	C	2'10	C				
1'60	A	2'09	A				
1'59	B	2'11	B				
1'58	C	2'10	C				
1'57	A	2'09	A				
1'56	B	2'11	B				
1'55	C	2'10	C				
1'54	A	2'09	A				
1'53	B	2'11	B				
1'52	C	2'10	C				
1'51	A	2'09	A				
1'50	B	2'11	B				
1'49	C	2'10	C				
1'48	A	2'09	A				
1'47	B	2'11	B				
1'46	C	2'10	C				
1'45	A	2'09	A				
1'44	B	2'11	B				
1'43	C	2'10	C				
1'42	A	2'09	A				
1'41	B	2'11	B				
1'40	C	2'10	C				
1'39	A	2'09	A				
1'38	B	2'11	B				
1'37	C	2'10	C				
1'36	A	2'09	A				
1'35	B	2'11	B				
1'34	C	2'10	C				
1'33	A	2'09	A				
1'32	B	2'11	B				
1'31	C	2'10	C				
1'30	A	2'09	A				
1'29	B	2'11	B				
1'28	C	2'10	C				
1'27	A	2'09	A				
1'26	B	2'11	B				
1'25	C	2'10	C				
1'24	A	2'09	A				
1'23	B	2'11	B				
1'22	C	2'10	C				
1'21	A	2'09	A				
1'20	B	2'11	B				
1'19	C	2'10	C				
1'18	A	2'09	A				
1'17	B	2'11	B				
1'16	C	2'10	C				
1'15	A	2'09	A				
1'14	B	2'11	B				
1'13	C	2'10	C				
1'12	A	2'09	A				
1'11	B	2'11	B				
1'10	C	2'10	C				
1'09	A	2'09	A				
1'08	B	2'11	B				
1'07	C	2'10	C				
1'06	A	2'09	A				
1'05	B	2'11	B				
1'04	C	2'10	C				
1'03	A	2'09	A				
1'02	B	2'11	B				
1'01	C	2'10	C				
1'00	A	2'09	A				

- ① Series No. X2026 W R X-2*XX X -N0 XXX XX
- ② Category: W-WAFER
- ③ Welding Board Angle: R-Right Angle 90°
- ④ Welding Way: Blank-DIP
- ⑤ Row No.-Pin No.: 2*XX-2*02P~2*22P
- ⑥ Plug the Pin & Special No.:
- ⑦ Material: N0-PA66 94V-0
- ⑧ Plating Category: SN-Bright Tin Plating; V01-All Gold Flash
- ⑨ Color: Blank-Natural Color

- Specifications:
- Voltage rating: 250V AC / DC
 - Current rating: 3A AC / DC
 - Withstanding voltage: 800V AC/minute
 - Temperature range: -25°C~+85°C
 - Insulation resistance: ≥1000MΩ
 - Contact resistance: ≤10mΩ
 - After environmental testing: ≤20mΩ

X-ON Electronics

Largest Supplier of Electrical and Electronic Components

Click to view similar products for [Headers & Wire Housings](#) category:

Click to view products by [XKB](#) manufacturer:

Other Similar products are found below :

[95000-104TRLF](#) [10135584-644402LF](#) [DF62W-EP2022PCA](#) [95000-106TRLF](#) [DF62W-2022SCA](#) [DF62W-EP2022PC](#) [2203348](#) [DF62W-2022SC](#) [1084018](#) [1029039](#) [1084017](#) [802-10-012-10-002000](#) [1112640](#) [1112639](#) [891-007-9SS-BST1T](#) [000-34000](#) [0008550134](#) [0009482033](#) [0009507031](#) [57102-F02-18ULF](#) [57102-S06-03LF](#) [57202-S52-04LF](#) [PCN6-15S-2.5E](#) [0039019024](#) [58102-G61-06LF](#) [582553-1](#) [0009485154](#) [0009508121](#) [0022285053](#) [0050291907](#) [018731A](#) [LY20-4P-DT1-P1E-BR](#) [02.125.8002.8](#) [60101931](#) [60598-1 \(Cut Strip\)](#) [M1625-3R/100](#) [61062-3](#) [61082-181009](#) [CSU011177004](#) [636-1427](#) [638009-1](#) [641938-9](#) [641991-4](#) [644168-1](#) [644827-2](#) [647662-1](#) [65039-019ELF](#) [65692-001LF](#) [65781-018](#) [65781-047](#)