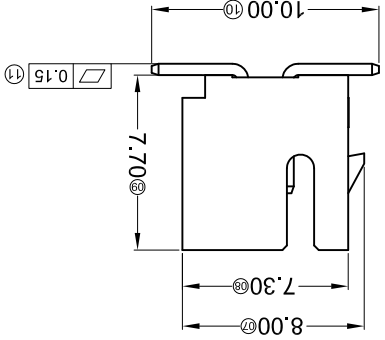
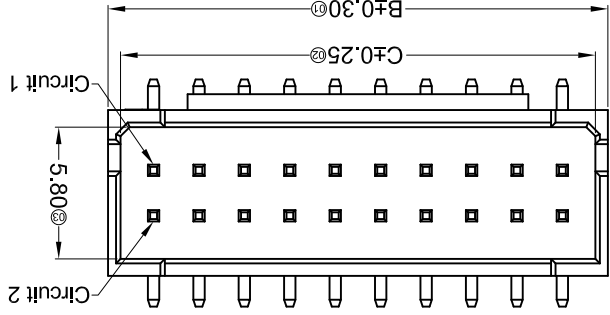
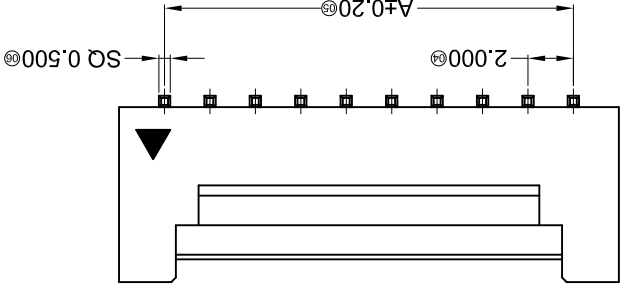
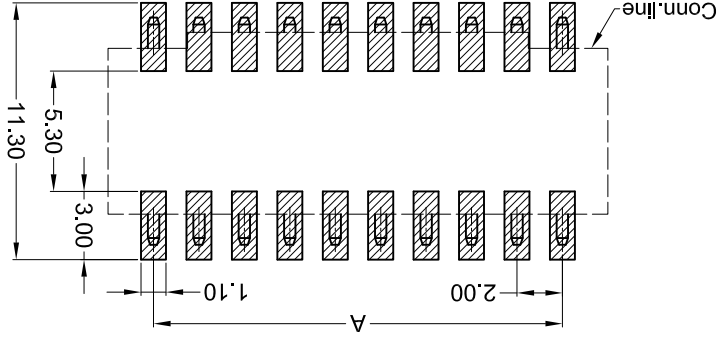


For and on behalf of  
**XKB INDUSTRIAL PRECISION CO., LIMITED**  
 香港星坤工業精密有限公司

Recommended P.C.B Layout  
 General Tolerance±0.05



MARK	DESCRIPTION	DATE	REVISED	APPROVED	UNSPECIFIED TOLERANCES
△ X					L > 63 ±0.5
△ X					16 < L ≤ 63 ±0.4
△ X					4 < L ≤ 16 ±0.3
△ X					L ≤ 4 ±0.2
					ANGULAR ±5°

REVISIONS	XKB INDUSTRIAL PRECISION CO., LIMITED				
MARK	DESCRIPTION	DATE	REVISED	APPROVED	UNSPECIFIED TOLERANCES
△ X					L > 63 ±0.5
△ X					16 < L ≤ 63 ±0.4
△ X					4 < L ≤ 16 ±0.3
△ X					L ≤ 4 ±0.2
					ANGULAR ±5°

PART NO	Material	Material(Fin)	Finish(Fin)	Suitable XKB Terminal
X2026WV-S-2*XXD-9TSN	PA9T 94V-0	Brass	Tin-Plated	X2026H-D

Poles	Dimensions (mm)		
	A	B	C
2*02	2.00	6.00	4.90
2*03	4.00	8.00	6.90
2*04	6.00	10.00	8.90
2*05	8.00	12.00	10.90
2*06	10.00	14.00	12.90
2*07	12.00	16.00	14.90
2*08	14.00	18.00	16.90

- Voltage rating: 250V AC / DC
- Current rating: 3A AC / DC
- Withstanding voltage: 1000V AC/minute
- Temperature range: -25°C~+85°C
- Insulation resistance: ≥1000MΩ
- Contact resistance: ≤30mΩ
- After environmental testing: ≤50mΩ

① Series No. X2026 W V S-2\*XX D -9T SN XX

- ① Series No.
- ② Category: W-WAFER
- ③ Welding Board Angle: V-Straight 180°
- ④ Welding Way: S-SMT
- ⑤ Row No.-Pin No.: 2\*XX-2\*02P-2\*30P
- ⑥ Plug the Pin & Special No.: D-With Lock in the middle
- ⑦ Material: 9T -PA9T 94V-0
- ⑧ Plating Category: SN-Bright Tin Plating
- ⑨ Color : Blank-Natural Color

REVISIONS	XKB INDUSTRIAL PRECISION CO., LIMITED				
MARK	DESCRIPTION	DATE	REVISED	APPROVED	UNSPECIFIED TOLERANCES
△ X					L > 63 ±0.5
△ X					16 < L ≤ 63 ±0.4
△ X					4 < L ≤ 16 ±0.3
△ X					L ≤ 4 ±0.2
					ANGULAR ±5°

PART NO	Material	Material(Fin)	Finish(Fin)	Suitable XKB Terminal
X2026WV-S-2*XXD-9TSN	PA9T 94V-0	Brass	Tin-Plated	X2026H-D

Poles	Dimensions (mm)		
	A	B	C
2*02	2.00	6.00	4.90
2*03	4.00	8.00	6.90
2*04	6.00	10.00	8.90
2*05	8.00	12.00	10.90
2*06	10.00	14.00	12.90
2*07	12.00	16.00	14.90
2*08	14.00	18.00	16.90

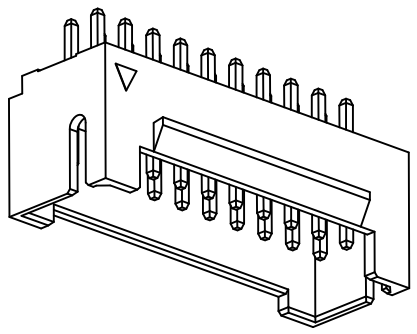
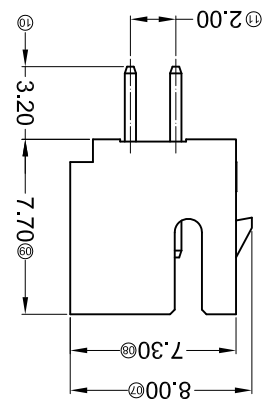
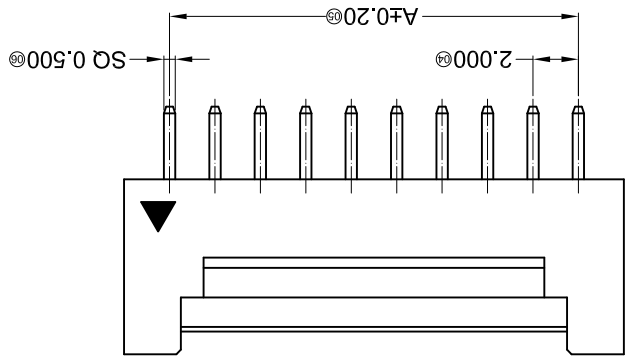
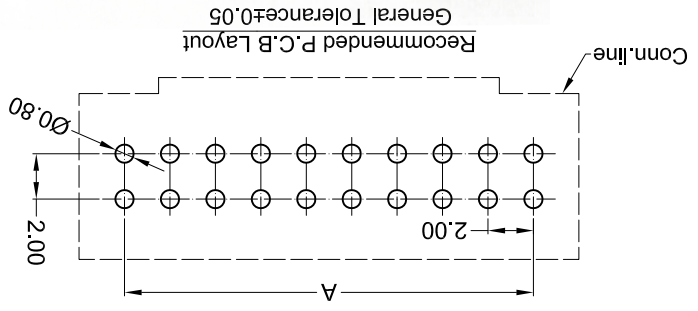
REVISIONS		UNSPECIFIED TOLERANCES	
MARK	DESCRIPTION	APPROVED	DATE
△ X			
△ X			
△ X			

For and on behalf of  
**XKB INDUSTRIAL PRECISION CO., LIMITED**  
 香港星坤工業精密有限公司

REVISIONS		UNSPECIFIED TOLERANCES	
MARK	DESCRIPTION	APPROVED	DATE
△ X			
△ X			
△ X			

**XKB INDUSTRIAL PRECISION CO., LIMITED**

DSND	DATE	SCALE: N/A	MODEL TYPE: X2026WV-2*XXD-XXXXX
DWN	DATE	VIEW:	PART NO.: 2.00mm Crimp Style Connectors
CHKD	DATE	UNIT: mm	DWG NO.:
APPD	DATE	SIZE: A4	WEIGHT: 1.0g
			SHEET: 1/1
			REVISION: A0



Poles	A	B	C	Dimensions (mm)
2*02	2.00	6.00	2*09	18.90
2*03	4.00	8.00	6.90	2*10
2*04	6.00	10.00	8.90	2*11
2*05	8.00	12.00	10.90	2*12
2*06	10.00	14.00	12.90	2*13
2*07	12.00	16.00	14.90	2*14
2*08	14.00	18.00	16.90	2*15
				28.00
				32.00
				30.90

Poles	A	B	C	Dimensions (mm)
2*09	20.00	18.90	2*16	30.00
2*10	30.00	34.00	2*17	32.00
2*11	24.00	22.90	2*18	34.00
2*12	26.00	24.90	2*19	36.00
2*13	28.00	26.90	2*20	38.00
2*14	30.00	28.90	2*21	40.00
2*15	32.00	30.90	2*22	42.00
				44.00
				46.00
				48.00
				50.00

- ① Series No. X2026 W V X-2\*XX D -XX XX XX
- ② Category: W-WAFER
- ③ Welding Board Angle: V-Straight 180°
- ④ Welding Way: Blank-DIP
- ⑤ Row No.-Pin No.: 2\*XX-2\*04P~2\*30P
- ⑥ Plug the Pin & Special No.: D-With Lock in the middle
- ⑦ Material: 46 -PA46 94V-0, 9T-PA9T 94V-0,
- ⑧ 4T-PA4T 94V-0
- ⑨ Plating Category: SN-Bright Tin Plating, V03-All Gold-Plated 3u"
- ⑩ Color: Blank-Natural Color

- Specifications:
- Voltage rating: 250V AC / DC
  - Current rating: 3A AC / DC
  - Withstanding voltage: 1000V AC/minute
  - Temperature range: -25°C~+85°C
  - Insulation resistance: ≥1000MΩ
  - Contact resistance: ≤30mΩ
  - After environmental testing: ≤50mΩ

For and on behalf of  
**XKB INDUSTRIAL PRECISION CO., LIMITED**  
 香港星坤工業精密有限公司  
 REVISIONS  
 Authorized Signatures(s)

MARK	DESCRIPTION	DATE	REVISED	APPROVED	UNSPECIFIED TOLERANCES
△ X					L > 63 ±0.5
△ X					16 > L ≤ 63 ±0.4
△ X					4 < L ≤ 16 ±0.3
△ X					L ≤ 4 ±0.2
					ANGULAR ±5°

REVISION	SHEET	WEIGHT	SIZE: A4
A0	1/1	1.0g	

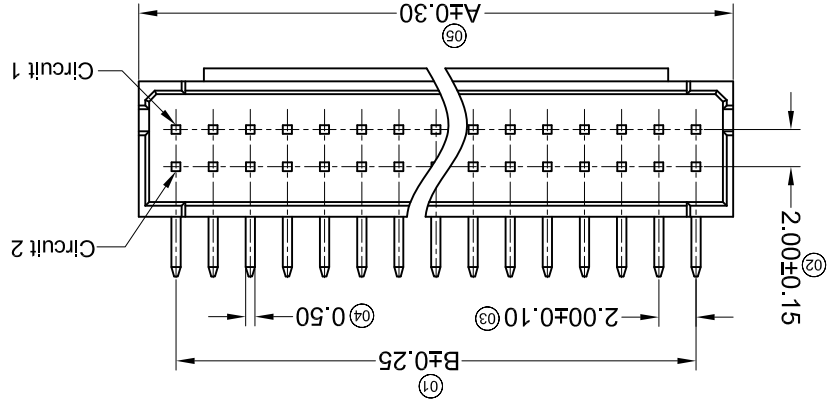
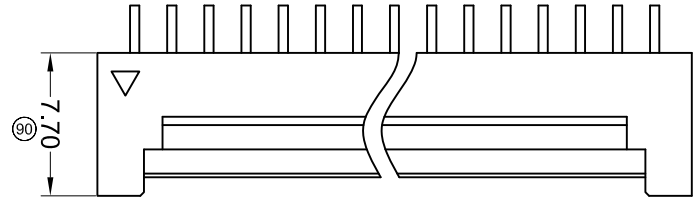
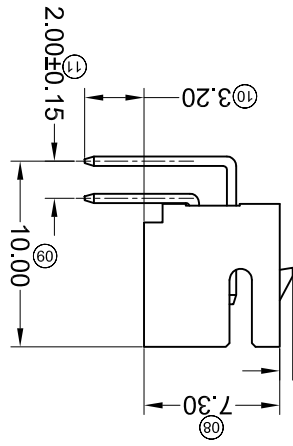
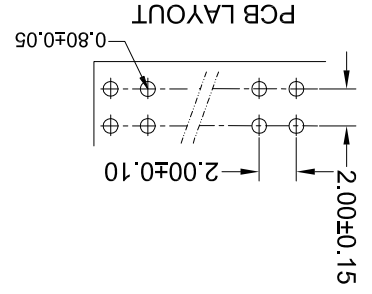
DSND	DATE	SCALE: N/A	MODEL TYPE: X2026WR-2*XXDS-XXSN
DWN	DATE <td>VIEW: </td> <td>PART NO.:</td>	VIEW:	PART NO.:
CHKD	DATE <td>UNIT: mm</td> <td>DWG NO.:</td>	UNIT: mm	DWG NO.:
APPD	DATE <td></td> <td></td>		

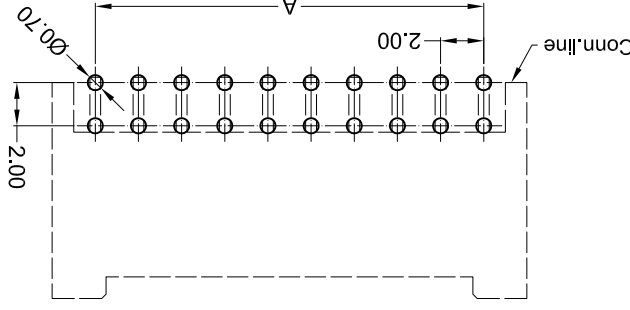
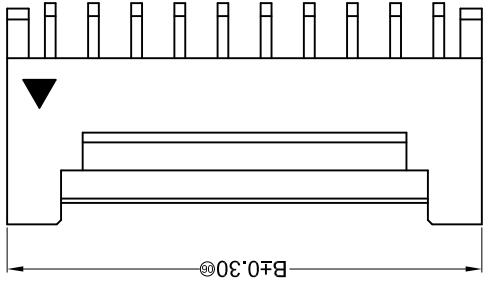
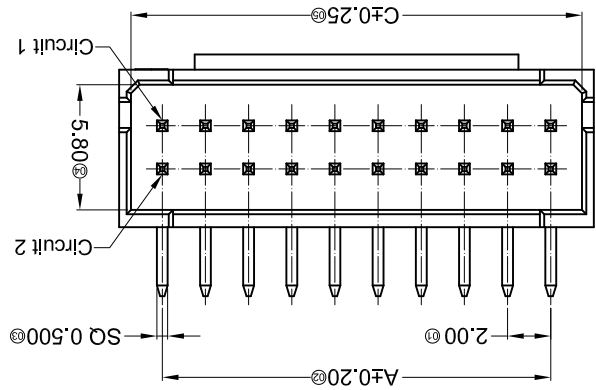
PART NO	Material	Material(Pin)	Finish(Pin)	Suitable XKB Terminal	Q'ty/Bag
X2026WR-2*XXDS-46SN	Nylon 46 UL 94V-0	Brass	Tin-Plated	X2026H-D	1,000Pcs

Poles	A	B
08	10.00	6.00
10	12.00	8.00
12	14.00	10.00
14	16.00	12.00
16	18.00	14.00
18	20.00	16.00
20	22.00	18.00
22	24.00	20.00
24	26.00	22.00
26	28.00	24.00
28	30.00	26.00
30	32.00	28.00
32	34.00	30.00
34	36.00	32.00
36	38.00	34.00
38	40.00	36.00
40	42.00	38.00
60	62.00	58.00

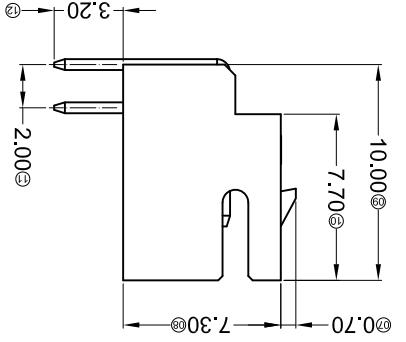
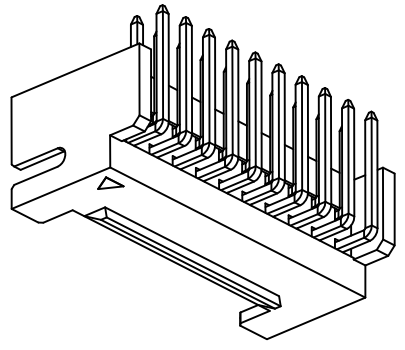
- ① Series No. X2026 WR X-2\*XX DS -XX SN XX
- ② Category: W-WAFER
- ③ Welding Board Angle: V-180°; R-90°
- ④ Welding Way: Blank-DIP; S-SMT
- ⑤ Row No.-Pin No.: XX-Single Row; 2\*XX-Double Row
- ⑥ Plug the Pin & Special No.:
- ⑦ Material: 46-PA46 94V-0
- ⑧ Plating Category: G\*\*-Gold Plated Contact
- V\*\*- All Gold-Plated
- 01-Gold Flash 02-2u" 03-3u"
- 05-5u" 10-10u" 15-15u"
- SN-Bright Tin Plating (70-120u")
- SN1-Bright Tin Plating (120u" Min).
- 0-No Plating Material
- SW-Fog Tin Plating
- HS-Hight temperature Tin
- ⑨ Color: Blank-Natural Color

- Specifications:
- Voltage rating: 250V AC / DC
  - Current rating: 3A AC / DC
  - Withstanding voltage: 1000V AC/minute
  - Temperature range: -25°C~+85°C
  - Insulation resistance: ≥1000MΩ
  - Contact resistance: ≤30mΩ
  - After environmental testing: ≤50mΩ





Recommended P.C.B Layout  
General Tolerance±0.05



REVISIONS		APPROVED		REVISED		DATE		DESCRIPTION		MARK
△X										
△X										
△X										

For and on behalf of  
**XKB INDUSTRIAL PRECISION CO., LIMITED**  
香港星坤工業精密有限公司  
*Authorized Signatures*

±5°	ANGULAR				
±0.2	L ≤ 4				
±0.3	4 < L ≤ 16				
±0.4	16 < L ≤ 63				
±0.5	L > 63				

DATE	SCALE: N/A	MODEL TYPE: X2026WR-2*XXD-XXSN	DWN	DATE	VIEW:	PART NO.:	CHKD	DATE	UNIT: mm	SIZE: A4	WEIGHT	SHEET	REVISION
DATE			APPD	DATE				DATE			1.0g	1/1	A0

PART NO	Material	Material(Pin)	Finish(Pin)	Suitable XKB Terminal
X2026WR-2*XXD-4TSN	PA4T 94V-0	Brass	Tin-Plated	2026H-D
X2026WR-2*XXD-46SN	PA46 94V-0	Brass	Tin-Plated	2026H-D

Poles	Dimensions (mm)			Poles	Dimensions (mm)		
	A	B	C		A	B	C
2*02	2.00	6.00	4.90	2*09	16.00	20.00	18.90
2*03	4.00	8.00	6.90	2*10	18.00	22.00	20.90
2*04	6.00	10.00	8.90	2*11	20.00	24.00	22.90
2*05	8.00	12.00	10.90	2*12	22.00	26.00	24.90
2*06	10.00	14.00	12.90	2*13	24.00	28.00	26.90
2*07	12.00	16.00	14.90	2*14	26.00	30.00	28.90
2*08	14.00	18.00	16.90	2*15	28.00	32.00	30.90

- ① Series No.
- ② Category: W-WAFER
- ③ Welding Board Angle: R-Right Angle 90°
- ④ Welding Way: Blank-DIP
- ⑤ Row No.-Pin No.: 2\*XX-2\*04P~2\*30P
- ⑥ Plug the Pin & Special No.: D-With Lock in the middle
- ⑦ Material: 46 -PA46 94V-0, 4T -PA4T 94V-0
- ⑧ Plating Category: SN-Bright Tin Plating
- ⑨ Color : Blank-Natural Color

X2026 W R X-2\*XX D -46 SN XX

- Voltage rating: 250V AC / DC
- Current rating: 3A AC / DC
- Withstanding voltage: 1000V AC/minute
- Temperature range: -25°C~+85°C
- Insulation resistance: ≥1000MΩ
- Contact resistance: ≤30mΩ
- After environmental testing: ≤50mΩ

■ Specifications :

*For and on behalf of*  
**XKB INDUSTRIAL PRECISION CO., LIMITED**  
 香港星坤工業精密有限公司  
 REVISIONS  
 Authorized Signatures(s)

MARK	DESCRIPTION	DATE	REVISED	APPROVED	UNSPECIFIED TOLERANCES
△ X					L > 63 ± 0.5
△ X					16 < L ≤ 63 ± 0.4
△ X					4 < L ≤ 16 ± 0.3
△ X					L ≤ 4 ± 0.2
					ANGULAR ± 5°

REVISION	SHEET	WEIGHT	DATE	DATE	DATE	DATE	DATE
A0	1/1	1.0g					

DSND	SCALE: N/A	DATE	VIEW:	UNIT: mm	SIZE: A4

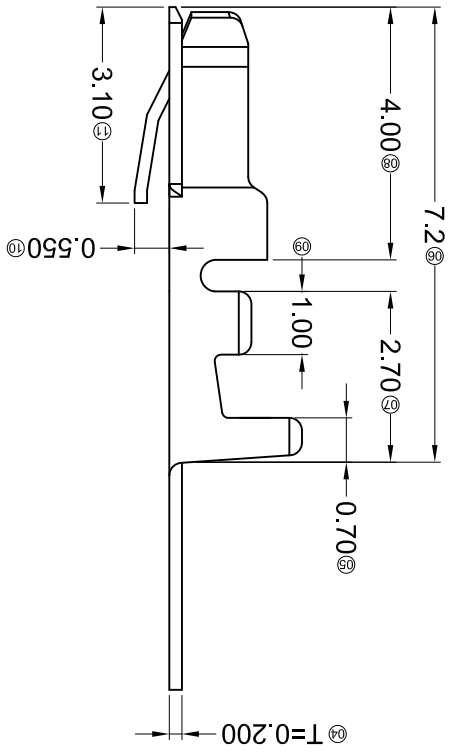
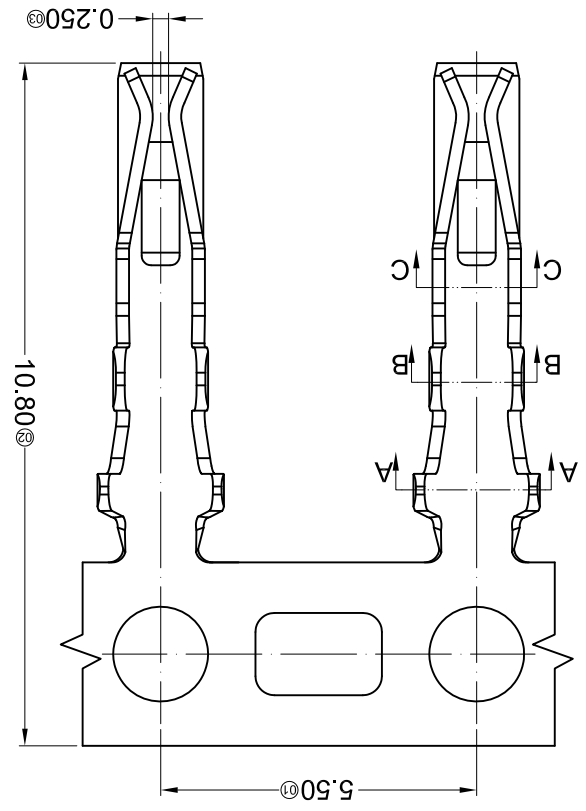
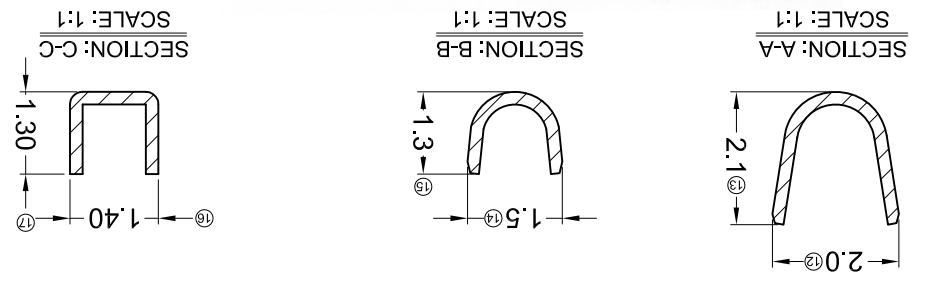
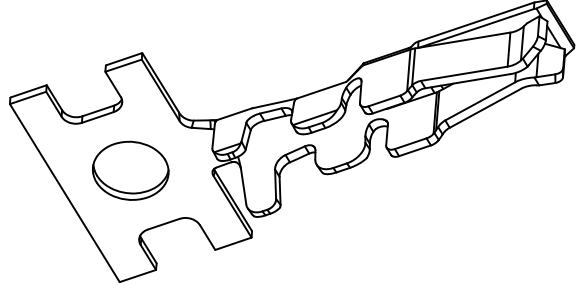
DWN	DATE	PART NO.:	DWG NO.:
		X2026T-PXXX-D	

CHKD	DATE	MODEL TYPE:
		X2026T-PXXX-D

APPD	DATE	MODEL TYPE:
		X2026T-PXXX-D

**XKB INDUSTRIAL PRECISION CO., LIMITED**

PART NO	Material	Wire Range	Insulation O.D.	Finish	Suitable XKB
X2026T-PG03-D	Phosphor Bronze	AWG#22-28	1.60mm(Max)	Stamping Before plating:30u" MIN. Ni: 70u" Sn	X2026H-D
X2026T-PSN-D	Phosphor Bronze	AWG#22-28	1.60mm(Max)	Stamping Before plating:30u" MIN. Ni: 70u" Sn	X2026H-D



- Specifications :**
- Voltage rating: 250V AC / DC
  - Current rating: 3A AC / DC
  - Withstanding voltage: 1000V AC/minute
  - Temperature range: -25°C~+85°C
  - Insulation resistance: ≥1000MΩ
  - Contact resistance: ≤30mΩ
  - After environmental testing: ≤50mΩ
- X2026 T X-P SN X - D**
- Series Number
  - Category: T-terminal
  - Shape: Blank-ordinary
  - Material: P-Phosphor bronze
  - Plating style:
  - SN-Bright tin plating ; G03-Contact Gold Plating 3u"
  - Plating method : Blank-Stamping before plating
  - Mold No./Mark/Special No.:
  - D-Mating 2026H-2\*08D Series Following Housing

For and on behalf of  
**XKB INDUSTRIAL PRECISION CO., LIMITED**  
 香港星坤工業精密有限公司

REVISIONS  
 Authorized Signature(s)

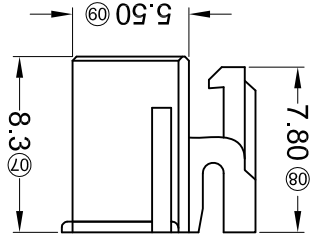
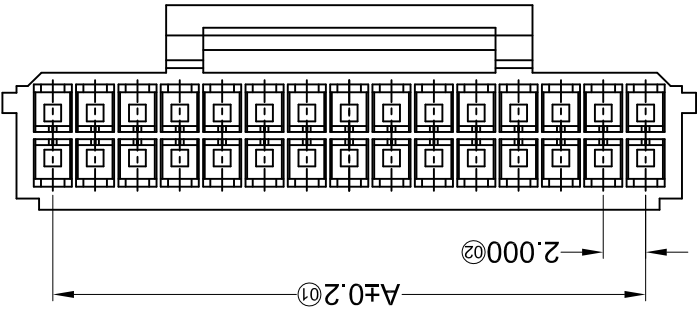
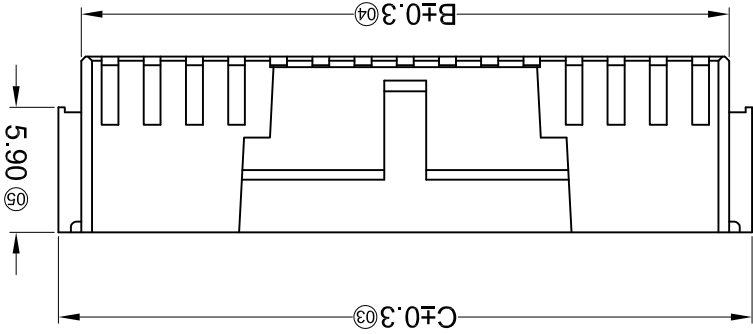
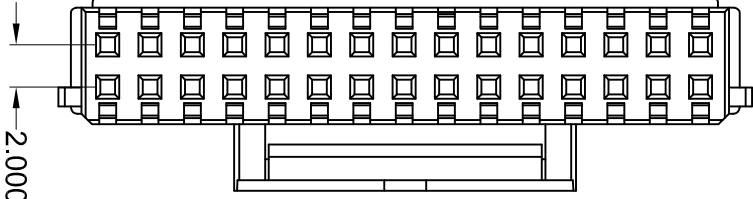
MARK	DESCRIPTION	DATE	REVISED	APPROVED	UNSPECIFIED TOLERANCES
△ X					L > 63 ± 0.5
△ X					16 > L ≤ 63 ± 0.4
△ X					4 < L ≤ 16 ± 0.3
					L ≤ 4 ± 0.2
					ANGULAR ± 5°

REVISION	SHEET	WEIGHT	DATE	DATE	DATE	DATE	DATE
A0	1/1	1.0g					

APPD	CHKD	DWN	DSND

SIZE: A4	UNIT: mm	VIEW:	SCALE: N/A

PART NO.:	MODEL TYPE:
X2026H-2*XXD-N0	X2026H-2*XXD-N0



- Specifications :
- Voltage rating: 250V AC / DC
  - Current rating: 3A AC / DC
  - Withstanding voltage: 1000V AC/minute
  - Temperature range: -25°C~+85°C
  - Insulation resistance: ≥100MΩ
  - Contact resistance: ≤30mΩ
  - After environmental testing : ≤50mΩ

X2026 H X-2\*XX D-N0 XX

- Series No.
- Category: H-HSG
- Appearance type: Blank-Ordinary
- Row No.-Pin No.: 2\*XX-2\*02P~2\*22P
- Plug the Pin & special No.
- D-With Lock in the middle
- Material: N0-PA66 94V-0
- Color: Blank-Natural Color

Poles	Dimensions (mm)		
	A	B	C
2*02	2.00	4.60	2*12
2*03	4.00	6.60	2*13
2*04	6.00	8.60	2*14
2*05	8.00	10.60	2*15
2*06	10.00	12.60	2*16
2*07	12.00	14.60	2*17
2*08	14.00	16.60	2*18
2*09	16.00	18.60	2*19
2*10	18.00	20.60	2*20
2*11	20.00	22.60	2*21

PART NO	Material	Suitable XKB Terminal	Suitable XKB Terminal
X2026H-2*XXD-N0	Nylon 66 UL 94V-0	X2026T-D	X2026W-D

## X-ON Electronics

Largest Supplier of Electrical and Electronic Components

*Click to view similar products for [Headers & Wire Housings](#) category:*

*Click to view products by [XKB](#) manufacturer:*

Other Similar products are found below :

[95000-104TRLF](#) [10135584-644402LF](#) [DF62W-EP2022PCA](#) [95000-106TRLF](#) [DF62W-2022SCA](#) [DF62W-EP2022PC](#) [2203348](#) [DF62W-2022SC](#) [1084018](#) [1029039](#) [1084017](#) [802-10-012-10-002000](#) [1112640](#) [1112639](#) [891-007-9SS-BST1T](#) [000-34000](#) [0008550134](#) [0009482033](#) [0009507031](#) [57102-F02-18ULF](#) [57102-S06-03LF](#) [57202-S52-04LF](#) [PCN6-15S-2.5E](#) [0039019024](#) [58102-G61-06LF](#) [582553-1](#) [0009485154](#) [0009508121](#) [0022285053](#) [0050291907](#) [018731A](#) [LY20-4P-DT1-P1E-BR](#) [02.125.8002.8](#) [60101931](#) [60598-1 \(Cut Strip\)](#) [M1625-3R/100](#) [61062-3](#) [61082-181009](#) [CSU011177004](#) [636-1427](#) [638009-1](#) [641938-9](#) [641991-4](#) [644168-1](#) [644827-2](#) [647662-1](#) [65039-019ELF](#) [65692-001LF](#) [65781-018](#) [65781-047](#)