

For and on behalf of
XKB INDUSTRIAL PRECISION CO., LIMITED
 香港星洲工業精密有限公司
 REVISIONS
 Authorized Signature(s)

MARK	DESCRIPTION	DATE	REVISD	APPROVED	UNSPCIFIED TOLERANCES
△X					L > 63
△X					16 < L ≤ 63
△X					4 < L ≤ 16
					L ≤ 4
					ANGULAR
					±5°

REVISION	SHEET	WEIGHT	SIZE: A4
A0	1/1	1.0g	

DATE	DATE	DATE	DATE

SCALE: N/A	VIEW:	UNIT: mm	VIEW:

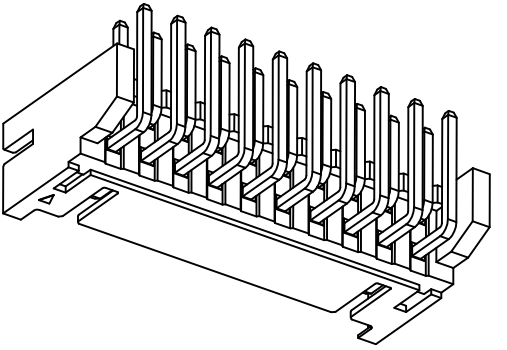
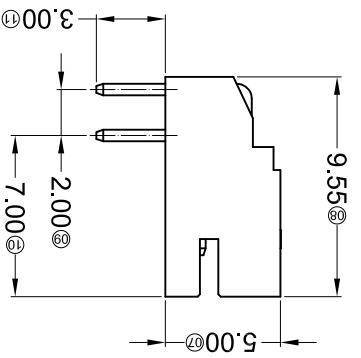
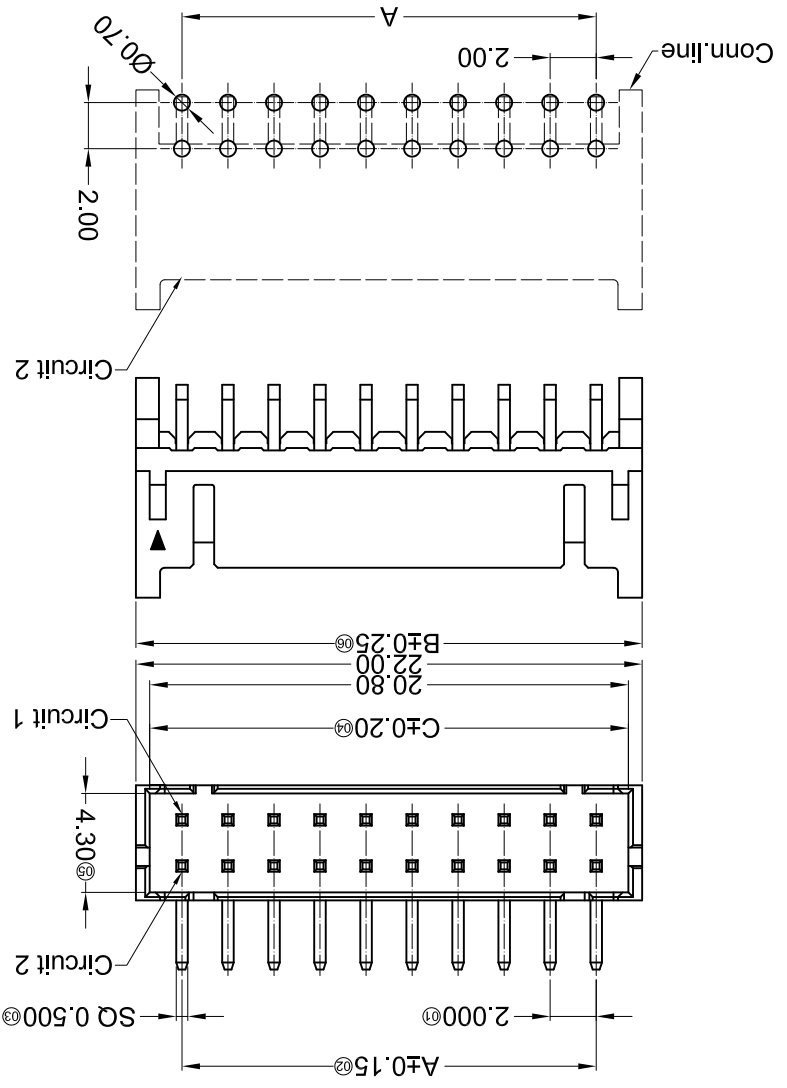
MODEL TYPE:	PART NO.:	DWG NO.:
X2026WR-2*XX-N0XXX		

DATE	DATE	DATE	DATE

DATE	DATE	DATE	DATE

DATE	DATE	DATE	DATE

Recommended P.C.B Layout
 General Tolerance±0.05



PART NO	Material	Material(Ph)	Finish(Ph)	Suitable XKB Terminal
X2026WR-2*XX-N0V01	PA66 UL 94V-0	Brass	Thn-Plated	X2026H
X2026WR-2*XX-N0V01	PA66 UL 94V-0	Brass	Gold-Flash	X2026H

Dimensions (mm)	Dimensions (mm)	Dimensions (mm)	Dimensions (mm)	Dimensions (mm)	Dimensions (mm)	Dimensions (mm)	Dimensions (mm)	Dimensions (mm)	Dimensions (mm)	
2*08	14.00	18.00	2*15	28.00	32.00	30.80	2*22	42.00	46.00	44.80
2*07	12.00	16.00	2*14	26.00	30.00	28.80	2*21	40.00	44.00	42.80
2*06	10.00	14.00	2*13	24.00	28.00	26.80	2*20	38.00	42.00	40.80
2*05	8.00	12.00	2*12	22.00	26.00	24.80	2*19	36.00	40.00	38.80
2*04	6.00	10.00	2*11	20.00	24.00	22.80	2*18	34.00	38.00	36.80
2*03	4.00	8.00	2*10	18.00	22.00	20.80	2*17	32.00	36.00	34.80
2*02	2.00	6.00	2*09	16.00	20.00	18.80	2*16	30.00	34.00	32.80
Poles A			Poles A							
Poles B			Poles B							
Poles C			Poles C							

- ① Series No. X2026 WR X-2*XX X-N0 XXX XX
- ② Category: W-WAFER
- ③ Welding Board Angle: R-Right Angle 90°
- ④ Welding Way: Blank-DIP
- ⑤ Row No.-Pin No.: 2*XX-2*02P~2*22P
- ⑥ Plug the Pin & Special No.:
- ⑦ Material: N0-PA66 94V-0
- ⑧ Plating Category: SN-Bright Tin Plating;
- ⑨ V01-All Gold Flash
- ⑩ Color: Blank-Natural Color

- Specifications :
- Voltage rating: 250V AC / DC
 - Current rating: 3A AC / DC
 - Withstanding voltage: 800V AC/minute
 - Temperature range: -25°C~+85°C
 - Insulation resistance: ≥1000MΩ
 - Contact resistance: ≤10mΩ
 - After environmental testing: ≤20mΩ

X-ON Electronics

Largest Supplier of Electrical and Electronic Components

Click to view similar products for [Headers & Wire Housings](#) category:

Click to view products by [XKB](#) manufacturer:

Other Similar products are found below :

[95000-104TRLF](#) [10135584-644402LF](#) [DF62W-EP2022PCA](#) [95000-106TRLF](#) [DF62W-2022SCA](#) [DF62W-EP2022PC](#) [2203348](#) [DF62W-2022SC](#) [1084018](#) [1029039](#) [1084017](#) [802-10-012-10-002000](#) [1112640](#) [1112639](#) [891-007-9SS-BST1T](#) [000-34000](#) [0008550134](#) [0009482033](#) [0009507031](#) [57102-F02-18ULF](#) [57102-S06-03LF](#) [57202-S52-04LF](#) [PCN6-15S-2.5E](#) [0039019024](#) [58102-G61-06LF](#) [582553-1](#) [0009485154](#) [0009508121](#) [0022285053](#) [0050291907](#) [018731A](#) [LY20-4P-DT1-P1E-BR](#) [02.125.8002.8](#) [60101931](#) [60598-1 \(Cut Strip\)](#) [M1625-3R/100](#) [61062-3](#) [61082-181009](#) [CSU011177004](#) [636-1427](#) [638009-1](#) [641938-9](#) [641991-4](#) [644168-1](#) [644827-2](#) [647662-1](#) [65039-019ELF](#) [65692-001LF](#) [65781-018](#) [65781-047](#)