

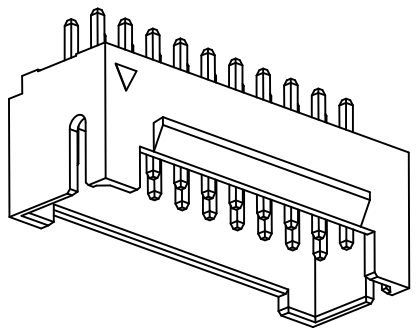
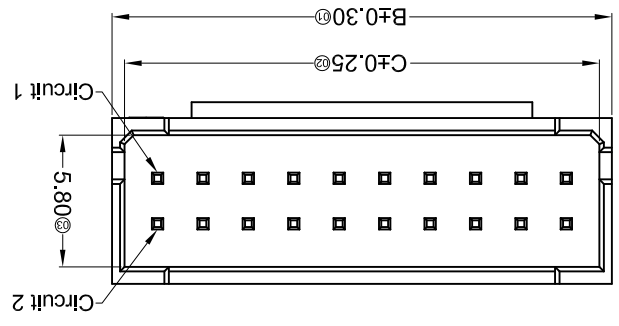
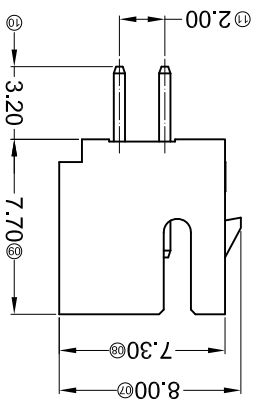
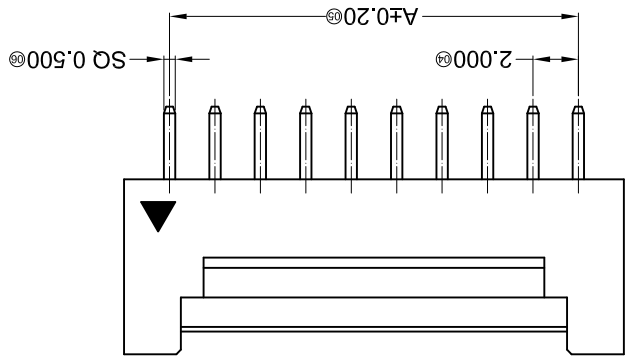
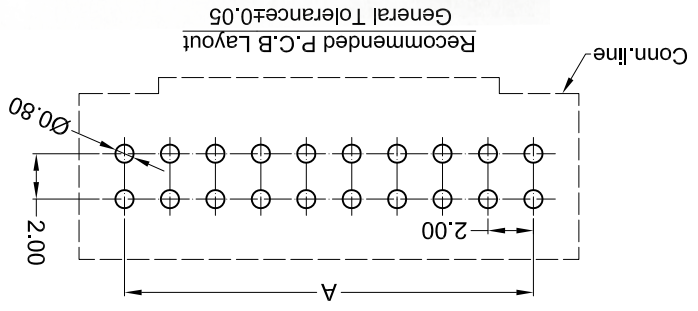
REVISIONS		UNSPECIFIED TOLERANCES	
MARK	DESCRIPTION	APPROVED	DATE
△ X		REVISD	
△ X		APPROVED	DATE
△ X		REVISD	
△ X		APPROVED	DATE

For and on behalf of
XKB INDUSTRIAL PRECISION CO., LIMITED
 香港星坤工業精密有限公司
 Authorized Signatures

REVISION		UNSPECIFIED TOLERANCES	
WEIGHT	1.0g	APPD	DATE
SHEET	1/1	CHKD	DATE
REVISION	AO	DWN	DATE
		DNSD	DATE

XKB INDUSTRIAL PRECISION CO., LIMITED

MODEL TYPE: X2026WV-2*XXD-XXXXX
 PART NO.: X2026WV-2*XXD-XXXXX
 2.00mm Crimp Style Connectors
 DWG NO.:
 UNIT: mm
 VIEW:
 SCALE: N/A
 SIZE: A4



Poles	Dimensions (mm)	Poles	Dimensions (mm)	Poles	Dimensions (mm)
A	2.00	A	2.00	A	2.00
B	2.00	B	2.00	B	2.00
C	2.00	C	2.00	C	2.00
Poles			Poles		
A			A		
B			B		
C			C		
Dimensions (mm)			Dimensions (mm)		
2*02	2.00	2*09	18.00	2*16	30.00
2*03	4.00	2*10	18.00	2*17	32.00
2*04	6.00	2*11	20.00	2*18	34.00
2*05	8.00	2*12	22.00	2*19	36.00
2*06	10.00	2*13	24.00	2*20	38.00
2*07	12.00	2*14	26.00	2*21	40.00
2*08	14.00	2*15	28.00	2*22	42.00
				2*23	44.00
				2*24	46.00
				2*25	48.00
				2*26	50.00
				2*27	52.00
				2*28	54.00
				2*29	56.00
				2*30	58.00
				2*31	60.00

- ① Series No.
- ② Category: W-WAFER
- ③ Welding Board Angle: V-Straight 180°
- ④ Welding Way: Blank-DIP
- ⑤ Row No.-Pin No.: 2*XX-2*04P~2*30P
- ⑥ Plug the Pin & Special No.: D-With Lock in the middle
- ⑦ Material: 46 -PA46 94V-0, 9T-PA9T 94V-0,
- ⑧ 4T-PA4T 94V-0
- ⑨ Plating Category: SN-Bright Tin Plating, V03-All Gold-Plated 3u"
- ⑩ Color: Blank-Natural Color

- Specifications:**
- Voltage rating: 250V AC / DC
 - Current rating: 3A AC / DC
 - Withstanding voltage: 1000V AC/minute
 - Temperature range: -25°C~+85°C
 - Insulation resistance: ≥1000MΩ
 - Contact resistance: ≤30mΩ
 - After environmental testing: ≤50mΩ

X2026 W V X-2*XX D -XX XX XX

X-ON Electronics

Largest Supplier of Electrical and Electronic Components

Click to view similar products for [Headers & Wire Housings](#) category:

Click to view products by [XKB](#) manufacturer:

Other Similar products are found below :

[95000-104TRLF](#) [10135584-644402LF](#) [DF62W-EP2022PCA](#) [95000-106TRLF](#) [DF62W-2022SCA](#) [DF62W-EP2022PC](#) [2203348](#) [DF62W-2022SC](#) [1084018](#) [1029039](#) [1084017](#) [802-10-012-10-002000](#) [1112640](#) [1112639](#) [891-007-9SS-BST1T](#) [000-34000](#) [0008550134](#) [0009482033](#) [0009507031](#) [57102-F02-18ULF](#) [57102-S06-03LF](#) [57202-S52-04LF](#) [PCN6-15S-2.5E](#) [0039019024](#) [58102-G61-06LF](#) [582553-1](#) [0009485154](#) [0009508121](#) [0022285053](#) [0050291907](#) [018731A](#) [LY20-4P-DT1-P1E-BR](#) [02.125.8002.8](#) [60101931](#) [60598-1 \(Cut Strip\)](#) [M1625-3R/100](#) [61062-3](#) [61082-181009](#) [CSU011177004](#) [636-1427](#) [638009-1](#) [641938-9](#) [641991-4](#) [644168-1](#) [644827-2](#) [647662-1](#) [65039-019ELF](#) [65692-001LF](#) [65781-018](#) [65781-047](#)