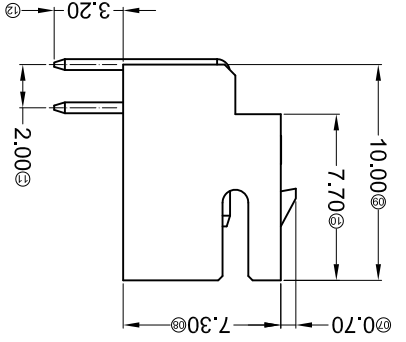
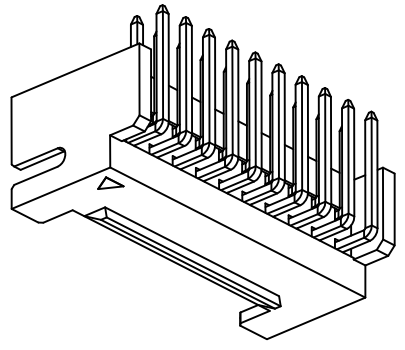


Recommended P.C.B Layout
General Tolerance±0.05

For and on behalf of
XKB INDUSTRIAL PRECISION CO., LIMITED
香港星坤工業精密有限公司

REVISIONS
Unauthorized Signature(s)

MARK	DESCRIPTION	DATE	REVISED	APPROVED	UNSPECIFIED TOLERANCES
△X					L > 63 ±0.5
△X					16 > L ≤ 63 ±0.4
△X					4 < L ≤ 16 ±0.3
△X					L ≤ 4 ±0.2
					ANGULAR ±5°



Poles	Dimensions (mm)			Poles	Dimensions (mm)		
	A	B	C		A	B	C
2*02	2.00	6.00	4.90	2*09	16.00	20.00	18.90
2*03	4.00	8.00	6.90	2*10	18.00	22.00	20.90
2*04	6.00	10.00	8.90	2*11	20.00	24.00	22.90
2*05	8.00	12.00	10.90	2*12	22.00	26.00	24.90
2*06	10.00	14.00	12.90	2*13	24.00	28.00	26.90
2*07	12.00	16.00	14.90	2*14	26.00	30.00	28.90
2*08	14.00	18.00	16.90	2*15	28.00	32.00	30.90

PART NO	Material	Material(Pin)	Finish(Pin)	Suitable XKB Terminal
X2026WR-2*XXD-4TSN	PA4T 94V-0	Brass	Tin-Plated	2026H-D
X2026WR-2*XXD-46SN	PA46 94V-0	Brass	Tin-Plated	2026H-D

- Specifications :
- Voltage rating: 250V AC / DC
 - Current rating: 3A AC / DC
 - Withstanding voltage: 1000V AC/minute
 - Temperature range: -25°C~+85°C
 - Insulation resistance: ≥1000MΩ
 - Contact resistance: ≤30mΩ
 - After environmental testing: ≤50mΩ

X2026 W R X-2*XX D -46 SN XX

- Series No.
- Category: W-WAFER
- Welding Board Angle: R-Right Angle 90°
- Welding Way: Blank-DIP
- Row No.-Pin No.: 2*XX-2*04P~2*30P
- Plug the Pin & Special No.: D-With Lock in the middle
- Material: 46 -PA46 94V-0, 4T -PA4T 94V-0
- Plating Category: SN-Bright Tin Plating
- Color : Blank-Natural Color

DATE	SCALE: N/A	MODEL TYPE:	X2026WR-2*XXD-XXSN
DNSD	DATE	VIEW:	PART NO.:
DWN	DATE	UNIT: mm	DWG NO.:
CHKD	DATE	SIZE: A4	REVISION
APPD	DATE	WEIGHT	SHEET
		1.0g	1/1
			AO

XKB INDUSTRIAL PRECISION CO., LIMITED

X-ON Electronics

Largest Supplier of Electrical and Electronic Components

Click to view similar products for [Headers & Wire Housings](#) category:

Click to view products by [XKB](#) manufacturer:

Other Similar products are found below :

[95000-104TRLF](#) [10135584-644402LF](#) [DF62W-EP2022PCA](#) [95000-106TRLF](#) [DF62W-2022SCA](#) [DF62W-EP2022PC](#) [2203348](#) [DF62W-2022SC](#) [1084018](#) [1029039](#) [1084017](#) [802-10-012-10-002000](#) [1112640](#) [1112639](#) [891-007-9SS-BST1T](#) [000-34000](#) [0008550134](#) [0009482033](#) [0009507031](#) [57102-F02-18ULF](#) [57102-S06-03LF](#) [57202-S52-04LF](#) [PCN6-15S-2.5E](#) [0039019024](#) [58102-G61-06LF](#) [582553-1](#) [0009485154](#) [0009508121](#) [0022285053](#) [0050291907](#) [018731A](#) [LY20-4P-DT1-P1E-BR](#) [02.125.8002.8](#) [60101931](#) [60598-1 \(Cut Strip\)](#) [M1625-3R/100](#) [61062-3](#) [61082-181009](#) [CSU011177004](#) [636-1427](#) [638009-1](#) [641938-9](#) [641991-4](#) [644168-1](#) [644827-2](#) [647662-1](#) [65039-019ELF](#) [65692-001LF](#) [65781-018](#) [65781-047](#)