

REVISIONS		UNSPECIFIED TOLERANCES	
MARK	DESCRIPTION	APPROVED	DATE
△ X			L > 63
△ X			16 < L ≤ 63
△ X			4 < L ≤ 16
△ X			L ≤ 4
			ANGULAR
			±5°

For and on behalf of
XKB INDUSTRIAL PRECISION CO., LIMITED
 香港星坤工業精密有限公司

XKB INDUSTRIAL PRECISION CO., LIMITED

WEIGHT	1.0g
SHEET	1/1
REVISION	A0

APPD	DATE	SIZE: A4
CHKD	DATE	UNIT: mm
DWN	DATE	VIEW:
DSND	DATE	SCALE: N/A

PART NO	Material	Material(Fin)	Finish(Fin)	Suitable XKB Terminal
X2026WV-2*XXD-46SN	PA46 94V-0	Brass	Tin-Plated	X2026H-D
X2026WV-2*XXD-9TV03	PA9T 94V-0		Gold-Plated 3u"	X2026H-D
X2026WV-2*XXD-4TSN	PA4T 94V-0		Tin-Plated	X2026H-D

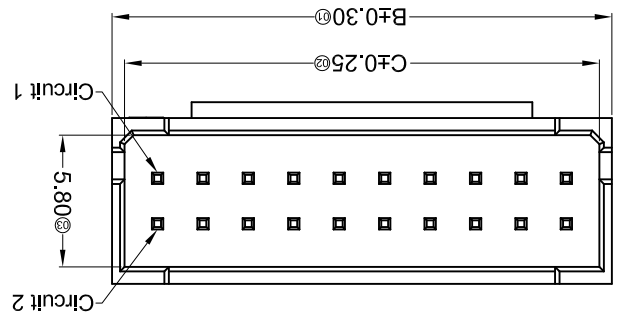
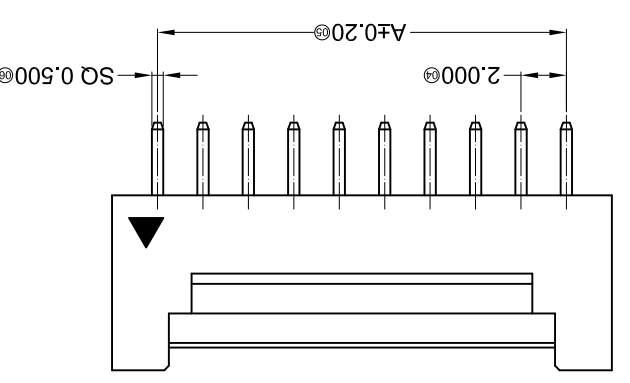
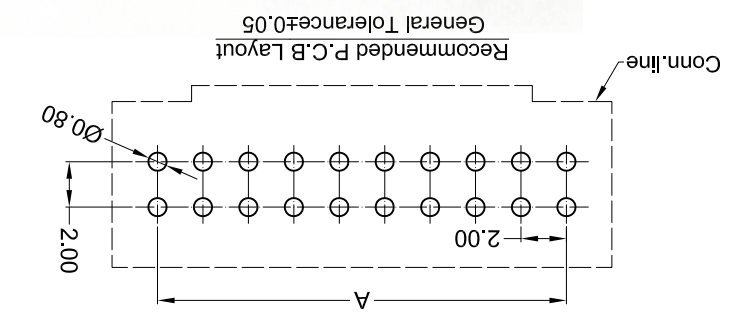
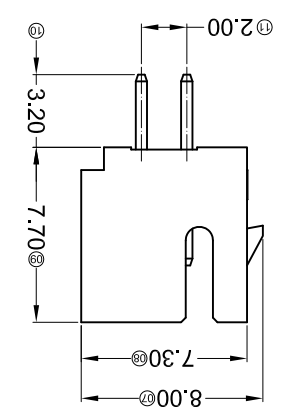
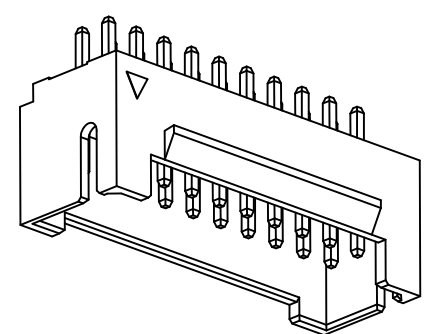
Poles	Dimensions (mm)			Poles	Dimensions (mm)		
	A	B	C		A	B	C
2*02	2.00	6.00	2*09	18.90	2*16	30.00	34.00
2*03	4.00	8.00	2*10	18.00	22.00	20.90	32.90
2*04	6.00	10.00	8.90	2*11	20.00	22.90	36.90
2*05	8.00	12.00	2*12	22.00	24.90	2*19	38.90
2*06	10.00	14.00	12.90	2*13	24.00	26.90	40.90
2*07	12.00	16.00	14.90	2*14	26.00	30.00	42.00
2*08	14.00	18.00	16.90	2*15	28.00	32.00	44.00
						30.90	

- ① Series No.
- ② Category: W-WAFER
- ③ Welding Board Angle: V-Straight 180°
- ④ Welding Way: Blank-DIP
- ⑤ Row No.-Pin No.: 2*XX-2*04P~2*30P
- ⑥ Plug the Pin & Special No.: D-With Lock in the middle
- ⑦ Material: 46-PA46 94V-0, 9T-PA9T 94V-0,
- ⑧ 4T-PA4T 94V-0
- ⑨ Plating Category: SN-Bright Tin Plating, V03-All Gold-Plated 3u"
- ⑩ Color: Blank-Natural Color

X2026 W V X-2*XX D -XX XX XX

- Voltage rating: 250V AC / DC
- Current rating: 3A AC / DC
- Withstanding voltage: 1000V AC/minute
- Temperature range: -25°C~+85°C
- Insulation resistance: ≥1000MΩ
- Contact resistance: ≤30mΩ
- After environmental testing: ≤50mΩ

Specifications :



X-ON Electronics

Largest Supplier of Electrical and Electronic Components

Click to view similar products for [Headers & Wire Housings](#) category:

Click to view products by [XKB](#) manufacturer:

Other Similar products are found below :

[95000-104TRLF](#) [10135584-644402LF](#) [DF62W-EP2022PCA](#) [95000-106TRLF](#) [DF62W-2022SCA](#) [DF62W-EP2022PC](#) [2203348](#) [DF62W-2022SC](#) [1084018](#) [1029039](#) [1084017](#) [802-10-012-10-002000](#) [1112640](#) [1112639](#) [891-007-9SS-BST1T](#) [000-34000](#) [0008550134](#) [0009482033](#) [0009507031](#) [57102-F02-18ULF](#) [57102-S06-03LF](#) [57202-S52-04LF](#) [PCN6-15S-2.5E](#) [0039019024](#) [58102-G61-06LF](#) [582553-1](#) [0009485154](#) [0009508121](#) [0022285053](#) [0050291907](#) [018731A](#) [LY20-4P-DT1-P1E-BR](#) [02.125.8002.8](#) [60101931](#) [60598-1 \(Cut Strip\)](#) [M1625-3R/100](#) [61062-3](#) [61082-181009](#) [CSU011177004](#) [636-1427](#) [638009-1](#) [641938-9](#) [641991-4](#) [644168-1](#) [644827-2](#) [647662-1](#) [65039-019ELF](#) [65692-001LF](#) [65781-018](#) [65781-047](#)