

For and on behalf of
XKB INDUSTRIAL PRECISION CO., LIMITED
 香港星坤工業精密有限公司
 Revisions Authorized Signatures(s)

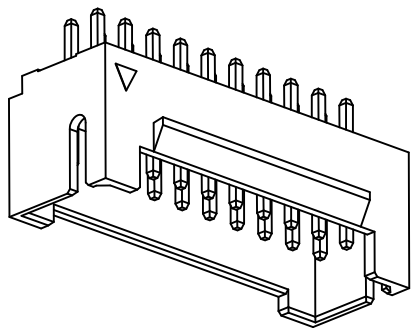
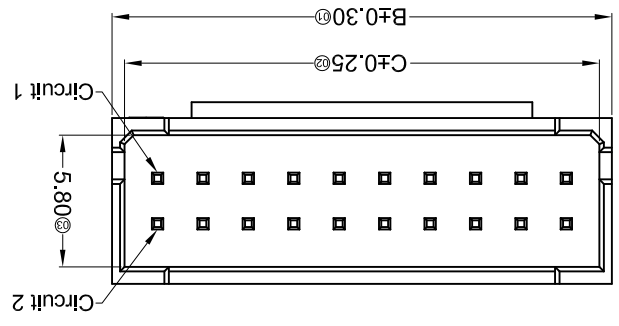
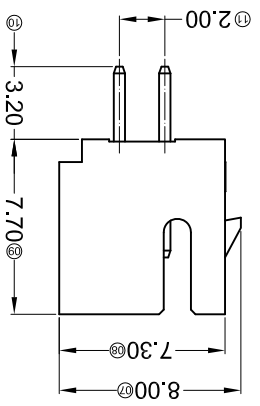
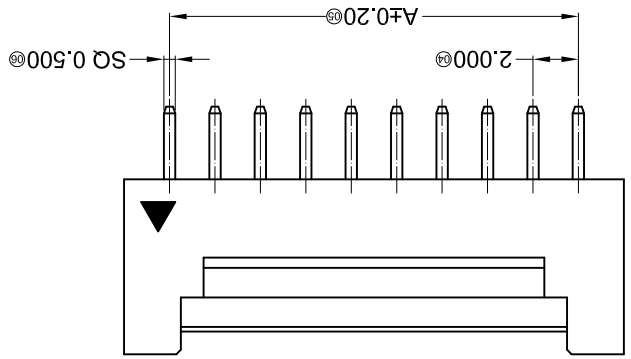
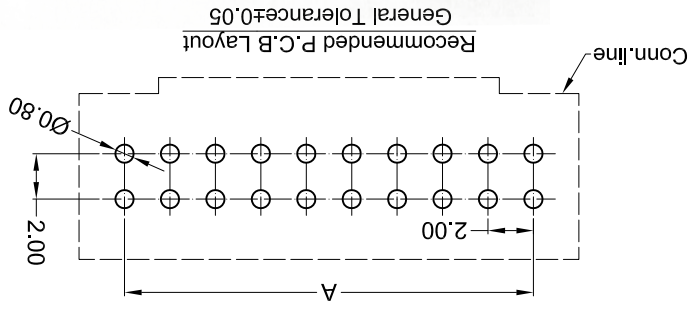
MARK	DESCRIPTION	DATE	REVISED	APPROVED	UNSPECIFIED TOLERANCES
△ X					L > 63
△ X					16 < L ≤ 63
△ X					4 < L ≤ 16
△ X					L ≤ 4
					ANGULAR
					±5°

REVISION	SHEET	WEIGHT	DATE	DATE	DATE	DATE
A0	1/1	1.0g				

XKB INDUSTRIAL PRECISION CO., LIMITED

APPD	DATE	DATE	DATE	DATE
CHKD	DATE	DATE	DATE	DATE
DWN	DATE	DATE	DATE	DATE
DSND	DATE	DATE	DATE	DATE

SIZE: A4
 UNIT: mm
 VIEW: 
 SCALE: N/A
 MODEL TYPE: X2026WV-2*XXD-XXXXX
 PART NO.:
 2.00mm Crimp Style Connectors
 DWG NO.:



Poles	A	B	C	Dimensions (mm)
2*02	2.00	6.00	2*09	18.90
2*03	4.00	8.00	6.90	2*10
2*04	6.00	10.00	8.90	2*11
2*05	8.00	12.00	10.90	2*12
2*06	10.00	14.00	12.90	2*13
2*07	12.00	16.00	14.90	2*14
2*08	14.00	18.00	16.90	2*15
Poles				
A	B	C	Dimensions (mm)	
2*16	30.00	20.90	30.90	
A	B	C	Dimensions (mm)	
2*17	32.00	22.90	32.90	
2*18	34.00	24.90	34.90	
2*19	36.00	26.90	36.90	
2*20	38.00	28.90	38.90	
2*21	40.00	30.00	40.90	
2*22	42.00	32.00	42.90	
2*23	44.00	34.00	44.90	
2*24	46.00	36.00	46.90	
2*25	48.00	38.00	48.90	
2*26	50.00	40.00	50.90	
2*27	52.00	42.00	52.90	
2*28	54.00	44.00	54.90	
2*29	56.00	46.00	56.90	
2*30	58.00	48.00	58.90	
2*31	60.00	50.00	60.90	

- ① Series No.
 ② Category: W-WAFER
 ③ Welding Board Angle: V-Straight 180°
 ④ Welding Way: Blank-DIP
 ⑤ Row No.-Pin No.: 2*XX-2*04P~2*30P
 ⑥ Plug the Pin & Special No.: D-With Lock in the middle
 ⑦ Material: 46 -PA46 94V-0, 9T-PA9T 94V-0,
 4T-PA4T 94V-0
 ⑧ Plating Category:
 SN-Bright Tin Plating, V03-All Gold-Plated 3u"
 ⑨ Color: Blank-Natural Color

- Specifications:
- Voltage rating: 250V AC / DC
 - Current rating: 3A AC / DC
 - Withstanding voltage: 1000V AC/minute
 - Temperature range: -25°C~+85°C
 - Insulation resistance: ≥1000MΩ
 - Contact resistance: ≤30mΩ
 - After environmental testing: ≤50mΩ

X2026 W V X-2*XX D -XX XX XX

X-ON Electronics

Largest Supplier of Electrical and Electronic Components

Click to view similar products for [Headers & Wire Housings](#) category:

Click to view products by [XKB](#) manufacturer:

Other Similar products are found below :

[95000-104TRLF](#) [10135584-644402LF](#) [DF62W-EP2022PCA](#) [95000-106TRLF](#) [DF62W-2022SCA](#) [DF62W-EP2022PC](#) [2203348](#) [DF62W-2022SC](#) [1084018](#) [1029039](#) [1084017](#) [802-10-012-10-002000](#) [1112640](#) [1112639](#) [891-007-9SS-BST1T](#) [000-34000](#) [0008550134](#) [0009482033](#) [0009507031](#) [57102-F02-18ULF](#) [57102-S06-03LF](#) [57202-S52-04LF](#) [PCN6-15S-2.5E](#) [0039019024](#) [58102-G61-06LF](#) [582553-1](#) [0009485154](#) [0009508121](#) [0022285053](#) [0050291907](#) [018731A](#) [LY20-4P-DT1-P1E-BR](#) [02.125.8002.8](#) [60101931](#) [60598-1 \(Cut Strip\)](#) [M1625-3R/100](#) [61062-3](#) [61082-181009](#) [CSU011177004](#) [636-1427](#) [638009-1](#) [641938-9](#) [641991-4](#) [644168-1](#) [644827-2](#) [647662-1](#) [65039-019ELF](#) [65692-001LF](#) [65781-018](#) [65781-047](#)