

For and on behalf of  
**XKB INDUSTRIAL PRECISION CO., LIMITED**  
 香港星坤工業精密有限公司

REVISIONS  
 Authorized Signatures(s)

MARK	DESCRIPTION	DATE	REVISED	APPROVED	UNSPECIFIED TOLERANCES
△ X					L > 63
△ X					16 < L ≤ 63
△ X					4 < L ≤ 16
△ X					L ≤ 4
					ANGULAR ±5°

REVISION	SHEET	WEIGHT	SIZE	DATE	DATE	DATE	DATE
A0	1/1	1.0g	A4				

MODEL TYPE	SCALE	VIEW	UNIT	DATE	DATE	DATE	DATE
X2026WV-2*XX-N0XXXX	N/A	VIEW:	mm				

Part No	Material	Material (Pn)	Finish (Pn)	Suitable XKB Terminal
X2026WV-2*XX-N0NSN	PA66 UL 94V-0		Thn-Plated	X2026H
X2026WV-2*XX-N0V01	PA66 UL 94V-0		Gold-Flash	
X2026WV-2*XX-N0SNMWH	PA66 UL 94V-0 White		Thn-Plated	
X2026WV-2*XXHF-N0SNBK (Halogen Free)	PA66 UL 94V-0 Black		Thn-Plated	

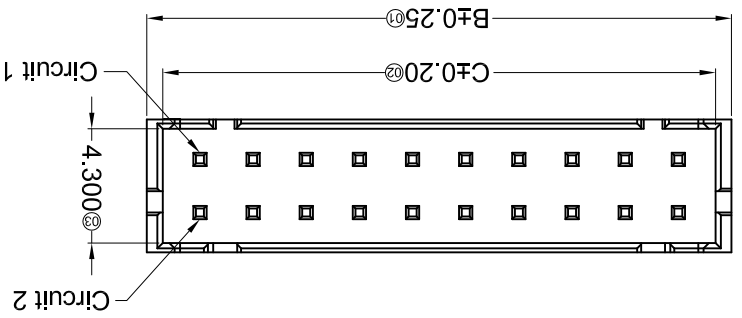
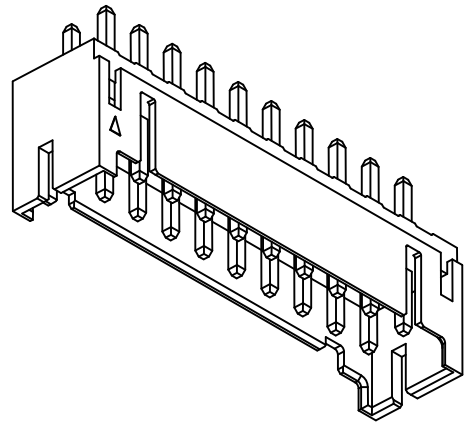
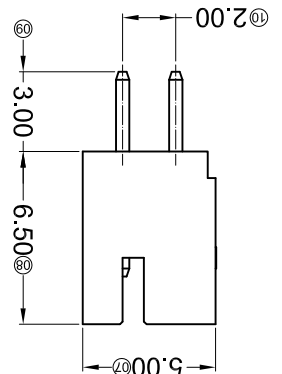
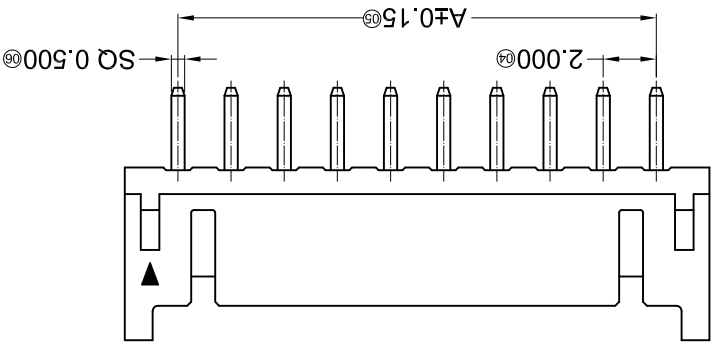
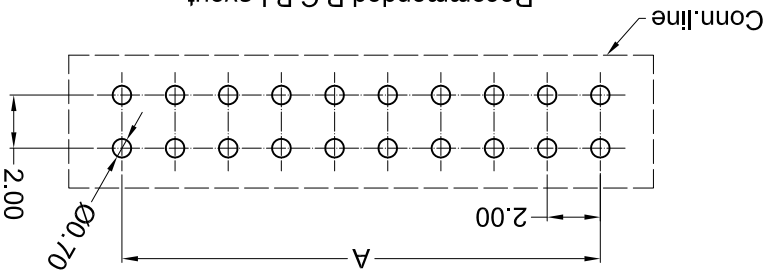
Poles	Dimensions (mm)			Poles	Dimensions (mm)			Poles	Dimensions (mm)			
	A	B	C		A	B	C		A	B	C	
2	2.00	6.00	2.09	4.80	2.09	16.00	20.00	18.80	2.16	30.00	34.00	32.80
3	4.00	8.00	2.10	6.80	2.10	18.00	22.00	20.80	2.17	32.00	36.00	34.80
4	6.00	10.00	2.11	8.80	2.11	20.00	24.00	22.80	2.18	34.00	38.00	36.80
5	8.00	12.00	2.12	10.80	2.12	22.00	26.00	24.80	2.19	36.00	40.00	38.80
6	10.00	14.00	2.13	12.80	2.13	24.00	28.00	26.80	2.20	38.00	42.00	40.80
7	12.00	16.00	2.14	14.80	2.14	26.00	30.00	28.80	2.21	40.00	44.00	42.80
8	14.00	18.00	2.15	16.80	2.15	28.00	32.00	30.80	2.22	42.00	46.00	44.80

**Specifications :**

- Voltage rating: 250V AC / DC
- Current rating: 3A AC / DC
- Withstanding voltage: 800V AC/minute
- Temperature range: -25°C~+85°C
- Insulation resistance: ≥1000MΩ
- Contact resistance: ≤10mΩ
- After environmental testing: ≤20mΩ

① Series No.  
 ② Category: W-WAFER  
 ③ Welding Board Angle: V-Straight 180°  
 ④ Welding Way: Blank-DIP  
 ⑤ Row No.-Pin No.: 2\*XX-2\*02P~2\*22P  
 ⑥ Plug the Pin & Special No.: HF-Halogen Free  
 ⑦ Material: NO-PA66 94V-0  
 ⑧ Plating Category: SN-Bright Tin Plating;  
 V01-Gold Flash  
 ⑨ Color : Blank-Natural Color ; BK-Black;WH-White

Recommended P.C.B Layout  
 General Tolerance±0.05



## X-ON Electronics

Largest Supplier of Electrical and Electronic Components

*Click to view similar products for [Headers & Wire Housings](#) category:*

*Click to view products by [XKB](#) manufacturer:*

Other Similar products are found below :

[95000-104TRLF](#) [10135584-644402LF](#) [DF62W-EP2022PCA](#) [95000-106TRLF](#) [DF62W-2022SCA](#) [DF62W-EP2022PC](#) [2203348](#) [DF62W-2022SC](#) [1084018](#) [1029039](#) [1084017](#) [802-10-012-10-002000](#) [1112640](#) [1112639](#) [891-007-9SS-BST1T](#) [000-34000](#) [0008550134](#) [0009482033](#) [0009507031](#) [57102-F02-18ULF](#) [57102-S06-03LF](#) [57202-S52-04LF](#) [PCN6-15S-2.5E](#) [0039019024](#) [58102-G61-06LF](#) [582553-1](#) [0009485154](#) [0009508121](#) [0022285053](#) [0050291907](#) [018731A](#) [LY20-4P-DT1-P1E-BR](#) [02.125.8002.8](#) [60101931](#) [60598-1 \(Cut Strip\)](#) [M1625-3R/100](#) [61062-3](#) [61082-181009](#) [CSU011177004](#) [636-1427](#) [638009-1](#) [641938-9](#) [641991-4](#) [644168-1](#) [644827-2](#) [647662-1](#) [65039-019ELF](#) [65692-001LF](#) [65781-018](#) [65781-047](#)