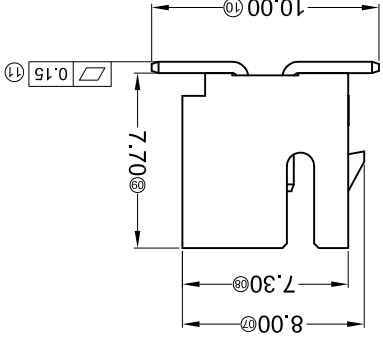
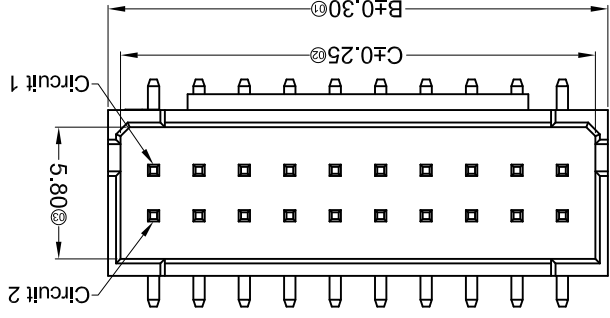
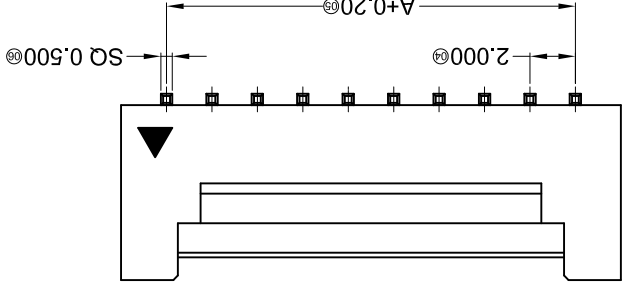
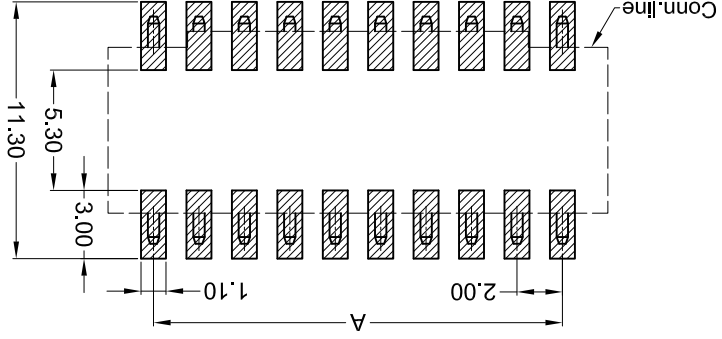


For and on behalf of
XKB INDUSTRIAL PRECISION CO., LIMITED
 香港星洲工業精密有限公司

| MARK | DESCRIPTION | DATE | REVISD | APPROVED | UNSPCIFIED TOLERANCES |
|------|-------------|------|--------|----------|-----------------------|
| △ X | | | | | ±0.5 |
| △ X | | | | | 16 < L ≤ 63 |
| △ X | | | | | 4 < L ≤ 16 |
| | | | | | L ≤ 4 |
| | | | | | ANGULAR |
| | | | | | ±5° |

Recommended P.C.B Layout
 General Tolerance ±0.05



| PART NO | Material | Material(Fin) | Finish(Fin) | Suitable XKB Terminal |
|----------------------|------------|---------------|-------------|-----------------------|
| X2026WV-S-2*XXD-9TSN | PA9T 94V-0 | Brass | Tin-Plated | X2026H-D |

| Poles | Dimensions (mm) | | |
|-------|-----------------|-------|-------|
| | A | B | C |
| 2*02 | 2.00 | 6.00 | 4.90 |
| 2*03 | 4.00 | 8.00 | 6.90 |
| 2*04 | 6.00 | 10.00 | 8.90 |
| 2*05 | 8.00 | 12.00 | 10.90 |
| 2*06 | 10.00 | 14.00 | 12.90 |
| 2*07 | 12.00 | 16.00 | 14.90 |
| 2*08 | 14.00 | 18.00 | 16.90 |
| | 16.00 | 20.00 | 18.90 |
| | 18.00 | 22.00 | 20.90 |
| | 20.00 | 24.00 | 22.90 |
| | 22.00 | 26.00 | 24.90 |
| | 24.00 | 28.00 | 26.90 |
| | 26.00 | 30.00 | 28.90 |
| | 28.00 | 32.00 | 30.90 |
| | 30.00 | 34.00 | 32.90 |
| | 32.00 | 36.00 | 34.90 |
| | 34.00 | 38.00 | 36.90 |
| | 36.00 | 40.00 | 38.90 |
| | 38.00 | 42.00 | 40.90 |
| | 40.00 | 44.00 | 42.90 |
| | 42.00 | 46.00 | 44.90 |
| | 44.00 | 48.00 | 46.90 |
| | 46.00 | 50.00 | 48.90 |
| | 48.00 | 52.00 | 50.90 |
| | 50.00 | 54.00 | 52.90 |
| | 52.00 | 56.00 | 54.90 |
| | 54.00 | 58.00 | 56.90 |
| | 56.00 | 60.00 | 58.90 |
| | 58.00 | 62.00 | 60.90 |
| | 60.00 | 64.00 | 62.90 |

- ① Series No. X2026 W V S-2*XX D -9T SN XX
- ② Category: W-WAFER
- ③ Welding Board Angle: V-Straight 180°
- ④ Welding Way: S-SMT
- ⑤ Row No.-Pin No.: 2*XX-2*02P-2*30P
- ⑥ Plug the Pin & Special No.: D-With Lock in the middle
- ⑦ Material: 9T -PA9T 94V-0
- ⑧ Plating Category: SN-Bright Tin Plating
- ⑨ Color : Blank-Natural Color

- Specifications :
- Voltage rating: 250V AC / DC
 - Current rating: 3A AC / DC
 - Withstanding voltage: 1000V AC/minute
 - Temperature range: -25°C~+85°C
 - Insulation resistance: ≥1000MΩ
 - Contact resistance: ≤30mΩ
 - After environmental testing: ≤50mΩ

| REVISION | SHEET | WEIGHT | REVISION |
|----------|-------|--------|----------|
| A0 | 1/1 | 1.0g | |

| DATE | SCALE: N/A | MODEL TYPE: X2026WV-S-2*XXD-9TSN |
|------|------------|----------------------------------|
| | | |

| DATE | VIEW: | PART NO.: 2.00mm Crimp Style Connectors |
|------|-------|---|
| | | |

| DATE | UNIT: mm | DWG NO.: |
|------|----------|----------|
| | | |

| DATE | SIZE: A4 | APPD |
|------|----------|------|
| | | |

| DATE | CHKD | UNSPCIFIED TOLERANCES |
|------|------|-----------------------|
| | | |

| DATE | DWN | REVISD | APPROVED |
|------|-----|--------|----------|
| | | | |

| DATE | DNSD | ANGULAR |
|------|------|---------|
| | | |

| DATE | REVISION |
|------|----------|
| | |

| DATE | REVISION |
|------|----------|
| | |

| DATE | REVISION |
|------|----------|
| | |

| DATE | REVISION |
|------|----------|
| | |

| DATE | REVISION |
|------|----------|
| | |

| REVISIONS | | UNSPECIFIED TOLERANCES | |
|-----------|-------------|------------------------|-------------|
| MARK | DESCRIPTION | APPROVED | DATE |
| △ X | | | L > 63 |
| △ X | | | 16 < L ≤ 63 |
| △ X | | | 4 < L ≤ 16 |
| △ X | | | L ≤ 4 |
| | | | ANGULAR ±5° |

For and on behalf of
XKB INDUSTRIAL PRECISION CO., LIMITED
 香港星坤工業精密有限公司

| REVISIONS | | UNSPECIFIED TOLERANCES | |
|-----------|-------------|------------------------|-------------|
| MARK | DESCRIPTION | APPROVED | DATE |
| △ X | | | L > 63 |
| △ X | | | 16 < L ≤ 63 |
| △ X | | | 4 < L ≤ 16 |
| △ X | | | L ≤ 4 |
| | | | ANGULAR ±5° |

For and on behalf of
XKB INDUSTRIAL PRECISION CO., LIMITED
 香港星坤工業精密有限公司

| | |
|----------|------|
| WEIGHT | 1.0g |
| SHEET | 1/1 |
| REVISION | A0 |

| | |
|-------------|---------------------|
| MODEL TYPE: | X2026WV-2*XXD-XXXXX |
| PART NO.: | X2026WV-2*XXD-XXXXX |
| DWG NO.: | |

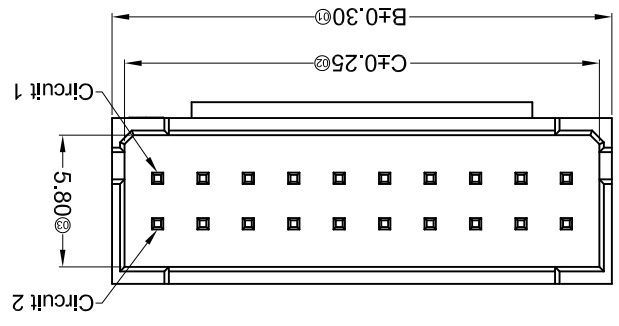
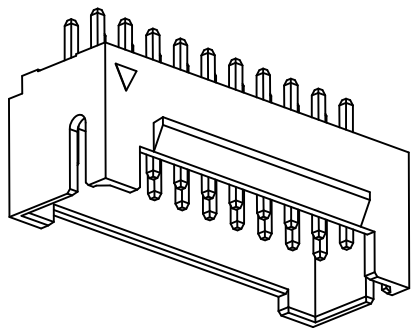
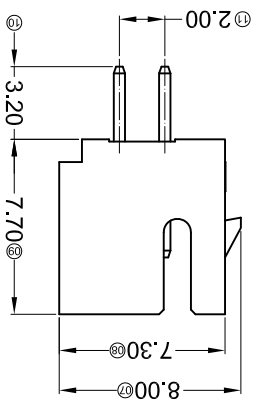
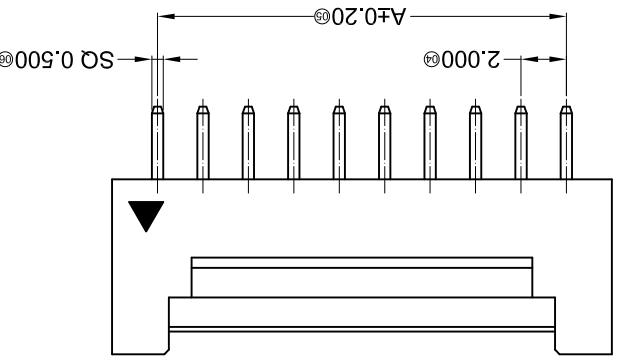
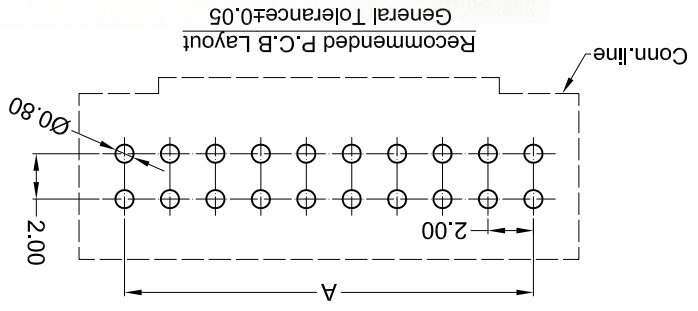
| DATE | DATE | DATE | DATE | DATE | DATE |
|------------|-------|----------|----------|------|------|
| DNSD | CHKD | APPD | | | |
| SCALE: N/A | VIEW: | UNIT: mm | SIZE: A4 | | |

| PART NO | Material | Material(Fin) | Finish(Fin) | Suitable XKB Terminal |
|----------------------|------------|---------------|-----------------|-----------------------|
| X2026WV-2*XXD-46SN | PA46 94V-0 | | Tin-Plated | X2026H-D |
| X2026WV-2*XXD-9T*V03 | PA9T 94V-0 | | Gold-Plated 3u" | X2026H-D |
| X2026WV-2*XXD-4T*SN | PA4T 94V-0 | | Tin-Plated | X2026H-D |

| Poles | Dimensions (mm) | | |
|-------|-----------------|-------|-------|
| | A | B | C |
| 2*02 | 2.00 | 6.00 | 2*09 |
| 2*03 | 4.00 | 8.00 | 6.90 |
| 2*04 | 6.00 | 10.00 | 8.90 |
| 2*05 | 8.00 | 12.00 | 10.90 |
| 2*06 | 10.00 | 14.00 | 12.90 |
| 2*07 | 12.00 | 16.00 | 14.90 |
| 2*08 | 14.00 | 18.00 | 16.90 |

| ① Series No. | ② Category: W-WAFER | ③ Welding Board Angle: V-Straight 180° | ④ Welding Way: Blank-DIP | ⑤ Row No.-Pin No.: 2*XX-2*04P~2*30P | ⑥ Plug the Pin & Special No.: D-With Lock in the middle | ⑦ Material: 46-PA46 94V-0, 9T-PA9T 94V-0, | ⑧ 4T-PA4T 94V-0 | ⑨ Plating Category: SN-Bright Tin Plating, V03-All Gold-Plated 3u" | ⑩ Color: Blank-Natural Color |
|--------------|---------------------|--|--------------------------|-------------------------------------|---|---|-----------------|--|------------------------------|
|--------------|---------------------|--|--------------------------|-------------------------------------|---|---|-----------------|--|------------------------------|

- Specifications:**
- Voltage rating: 250V AC / DC
 - Current rating: 3A AC / DC
 - Withstanding voltage: 1000V AC/minute
 - Temperature range: -25°C~+85°C
 - Insulation resistance: ≥1000MΩ
 - Contact resistance: ≤30mΩ
 - After environmental testing: ≤50mΩ

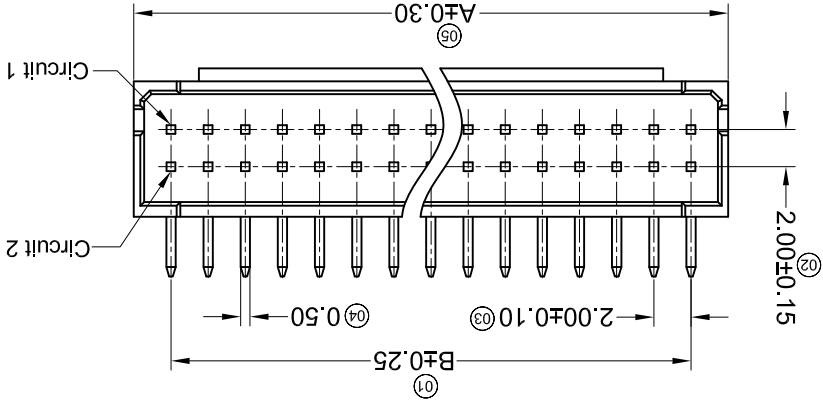
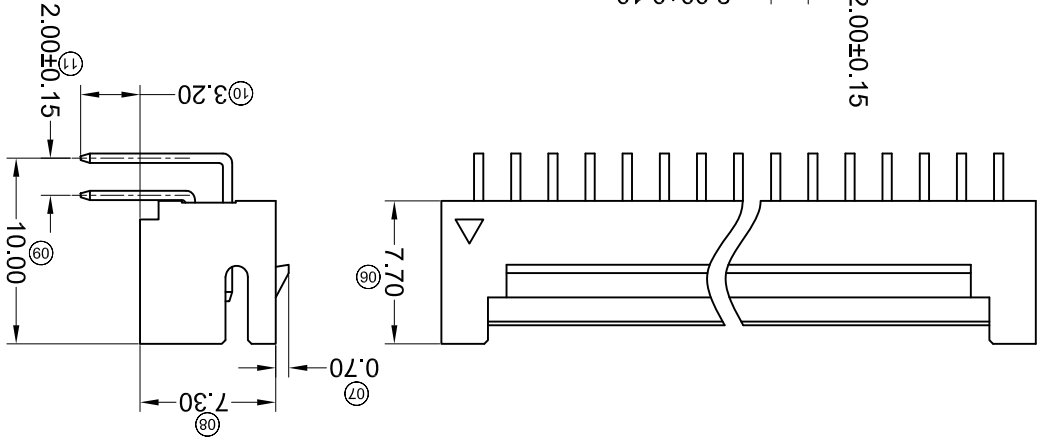
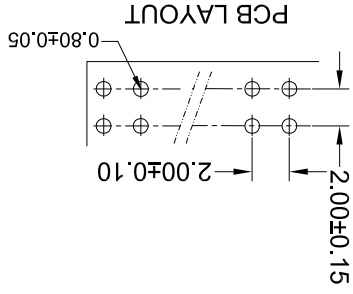


For and on behalf of
XKB INDUSTRIAL PRECISION CO., LIMITED
 香港星坤工業精密有限公司
 REVISIONS
 Authorized Signatures(s)

| MARK | DESCRIPTION | DATE | REVISED | APPROVED | UNSPECIFIED TOLERANCES |
|------|-------------|------|---------|----------|------------------------|
| △ X | | | | | L > 63 ± 0.5 |
| △ X | | | | | 16 > L ≤ 63 ± 0.4 |
| △ X | | | | | 4 < L ≤ 16 ± 0.3 |
| △ X | | | | | L ≤ 4 ± 0.2 |
| | | | | | ANGULAR ± 5° |

| DSND | DATE | SCALE: N/A | MODEL TYPE: X2026WR-2*XXDS-XXSN |
|------|--|------------|---------------------------------|
| DWN | DATE <td>VIEW: </td> <td>PART NO.:</td> | VIEW: | PART NO.: |
| CHKD | DATE <td>UNIT: mm</td> <td>DWG NO.:</td> | UNIT: mm | DWG NO.: |
| APPD | DATE <td>SIZE: A4</td> <td></td> | SIZE: A4 | |
| | | WEIGHT | REVISION |
| | | 1.0g | 1/1 |
| | | | A0 |

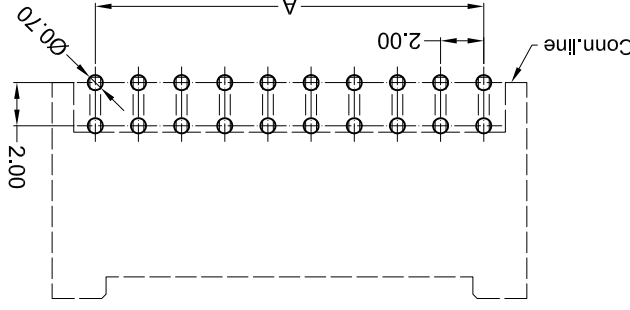
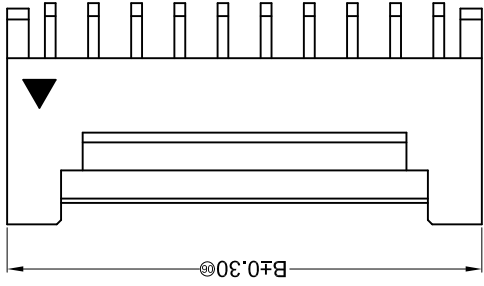
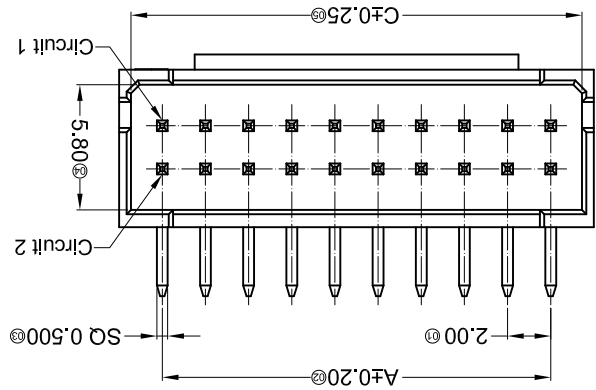
| PART NO | Material | Material(Pin) | Finish(Pin) | Suitable XKB Terminal | Q'ty/Bag |
|---------------------|-------------------|---------------|-------------|-----------------------|----------|
| X2026WR-2*XXDS-46SN | Nylon 46 UL 94V-0 | Brass | Tin-Plated | X2026H-D | 1,000Pcs |



| Poles | 08 | 10 | 12 | 14 | 16 | 18 | 20 | 22 | 24 | 26 | 28 | 30 | 32 | 34 | 36 | 38 | 40 | 60 |
|-----------------|-------|-------|-------|-------|-------|-------|-------|-------|-------|-------|-------|-------|-------|-------|-------|-------|-------|-------|
| Dimensions (mm) | 10.00 | 12.00 | 14.00 | 16.00 | 18.00 | 20.00 | 22.00 | 24.00 | 26.00 | 28.00 | 30.00 | 32.00 | 34.00 | 36.00 | 38.00 | 40.00 | 42.00 | 62.00 |
| | 8.00 | 10.00 | 12.00 | 14.00 | 16.00 | 18.00 | 20.00 | 22.00 | 24.00 | 26.00 | 28.00 | 30.00 | 32.00 | 34.00 | 36.00 | 38.00 | 42.00 | 58.00 |
| | A | B | | | | | | | | | | | | | | | | |

- ① Series No. X2026 WR X-2*XX DS -XX SN XX
- ② Category: W-WAFER
- ③ Welding Board Angle: V-180°; R-90°
- ④ Welding Way: Blank-DIP; S-SMT
- ⑤ Row No.-Pin No.: XX-Single Row; 2*XX-Double Row
- ⑥ Plug the Pin & Special No.:
- ⑦ Material: 46-PA46 94V-0
- ⑧ Plating Category: G**-Gold Plated Contact
- V**- All Gold-Plated
- 01-Gold Flash 02-2u" 03-3u"
- 05-5u" 10-10u" 15-15u"
- SN-Bright Tin Plating (70-120u")
- SN1-Bright Tin Plating (120u" Min).
- 0-No Plating Material
- SW-Fog Tin Plating
- HS-Hight temperature Tin
- ⑨ Color: Blank-Natural Color

- Specifications:
- Voltage rating: 250V AC / DC
 - Current rating: 3A AC / DC
 - Withstanding voltage: 1000V AC/minute
 - Temperature range: -25°C~+85°C
 - Insulation resistance: ≥1000MΩ
 - Contact resistance: ≤30mΩ
 - After environmental testing: ≤50mΩ

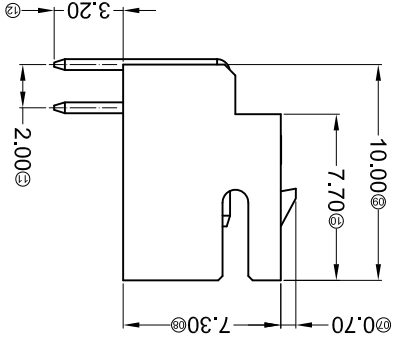
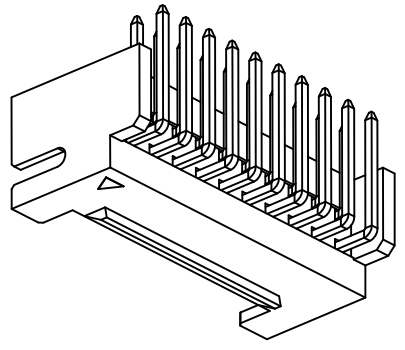


Recommended P.C.B Layout
General Tolerance±0.05

For and on behalf of
XKB INDUSTRIAL PRECISION CO., LIMITED
香港星坤工業精密有限公司

REVISIONS
Unauthorized Signatures(s)

| MARK | DESCRIPTION | DATE | REVISED | APPROVED | UNSPECIFIED TOLERANCES |
|------|-------------|------|---------|----------|------------------------|
| △X | | | | | L > 63 ±0.5 |
| △X | | | | | 16 > L ≤ 63 ±0.4 |
| △X | | | | | 4 < L ≤ 16 ±0.3 |
| △X | | | | | L ≤ 4 ±0.2 |
| | | | | | ANGULAR ±5° |



| Poles | Dimensions (mm) | | | Poles | Dimensions (mm) | | |
|-------|-----------------|-------|-------|-------|-----------------|-------|-------|
| | A | B | C | | A | B | C |
| 2*02 | 2.00 | 6.00 | 4.90 | 2*09 | 16.00 | 20.00 | 18.90 |
| 2*03 | 4.00 | 8.00 | 6.90 | 2*10 | 18.00 | 22.00 | 20.90 |
| 2*04 | 6.00 | 10.00 | 8.90 | 2*11 | 20.00 | 24.00 | 22.90 |
| 2*05 | 8.00 | 12.00 | 10.90 | 2*12 | 22.00 | 26.00 | 24.90 |
| 2*06 | 10.00 | 14.00 | 12.90 | 2*13 | 24.00 | 28.00 | 26.90 |
| 2*07 | 12.00 | 16.00 | 14.90 | 2*14 | 26.00 | 30.00 | 28.90 |
| 2*08 | 14.00 | 18.00 | 16.90 | 2*15 | 28.00 | 32.00 | 30.90 |

| PART NO | Material | Material(Pin) | Finish(Pin) | Suitable XKB Terminal |
|--------------------|------------|---------------|-------------|-----------------------|
| X2026WR-2*XXD-4TSN | PA4T 94V-0 | Brass | Tin-Plated | 2026H-D |
| X2026WR-2*XXD-46SN | PA46 94V-0 | Brass | Tin-Plated | 2026H-D |

| | | | |
|------|------|------------|--------------------------------|
| DNSD | DATE | SCALE: N/A | MODEL TYPE: X2026WR-2*XXD-XXSN |
| DWN | DATE | VIEW: | PART NO.: |
| CHKD | DATE | UNIT: mm | 2.00mm Crimp Style Connectors |
| APPD | DATE | SIZE: A4 | DWG NO.: |
| | | WEIGHT | 1.0g |
| | | SHEET | 1/1 |
| | | REVISION | A0 |

- Specifications :
- Voltage rating: 250V AC / DC
 - Current rating: 3A AC / DC
 - Withstanding voltage: 1000V AC/minute
 - Temperature range: -25°C~+85°C
 - Insulation resistance: ≥1000MΩ
 - Contact resistance: ≤30mΩ
 - After environmental testing: ≤50mΩ

X2026 W R X-2*XX D -46 SN XX

- Series No.
- Category: W-WAFER
- Welding Board Angle: R-Right Angle 90°
- Welding Way: Blank-DIP
- Row No.-Pin No.: 2*XX-2*04P~2*30P
- Plug the Pin & Special No.: D-With Lock in the middle
- Material: 46 -PA46 94V-0, 4T -PA4T 94V-0
- Plating Category: SN-Bright Tin Plating
- Color : Blank-Natural Color

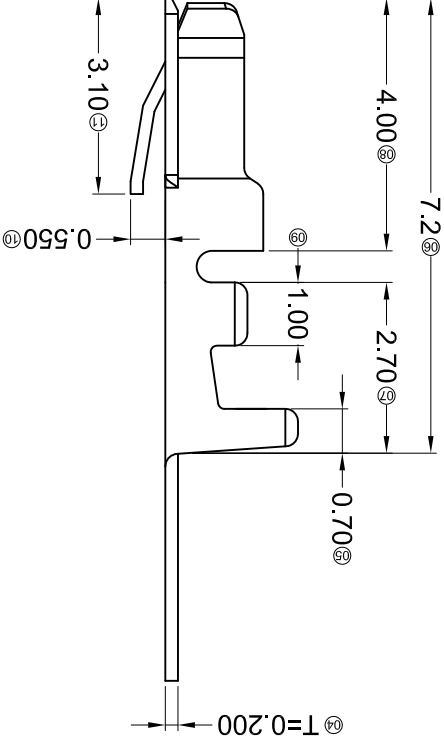
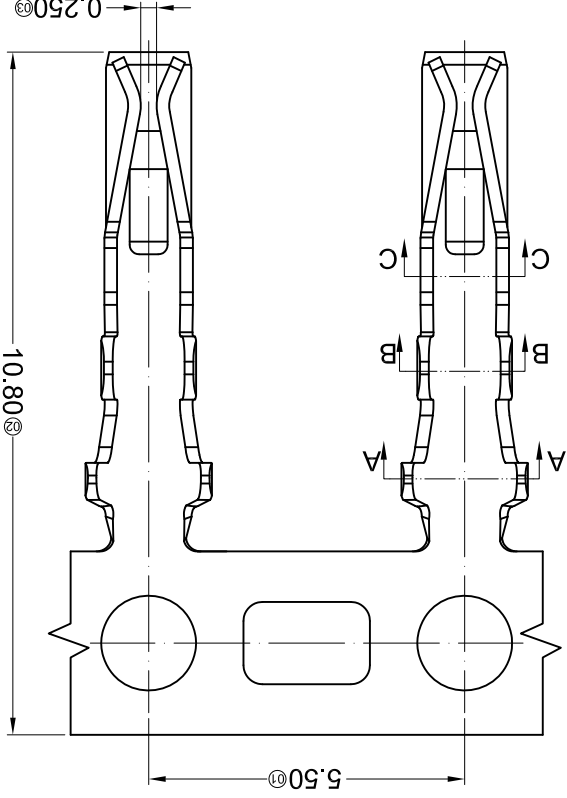
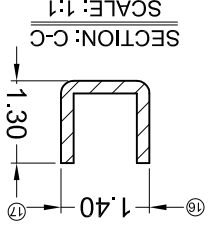
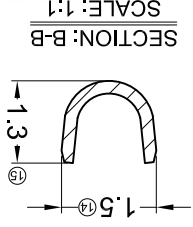
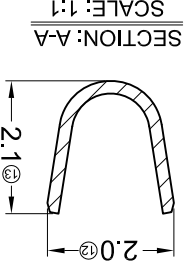
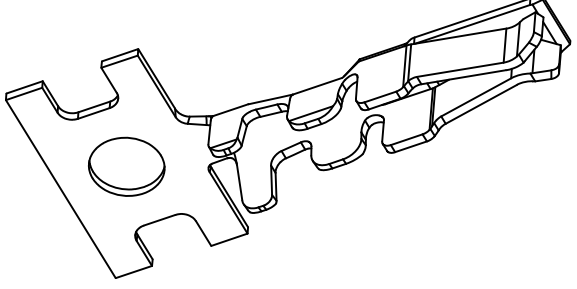
For and on behalf of
XKB INDUSTRIAL PRECISION CO., LIMITED
 香港星坤工業精密有限公司

Authorized Signature(s)

| MARK | DESCRIPTION | DATE | REVISED | APPROVED | UNSPECIFIED TOLERANCES |
|------|-------------|------|---------|----------|------------------------|
| △ X | | | | | L > 63 ±0.5 |
| △ X | | | | | 16 < L ≤ 63 ±0.4 |
| △ X | | | | | 4 < L ≤ 16 ±0.3 |
| △ X | | | | | L ≤ 4 ±0.2 |
| | | | | | ANGULAR ±5° |

| REVISION | SHEET | WEIGHT | XKB INDUSTRIAL PRECISION CO., LIMITED | | | |
|----------|-------|--------|---|------|------|------|
| A0 | 1/1 | 1.0g | | | | |
| | | | SIZE: A4 | DATE | DATE | DATE |
| | | | UNIT: mm | DATE | DATE | DATE |
| | | | VIEW: | DATE | DATE | DATE |
| | | | SCALE: N/A | DATE | DATE | DATE |
| | | | MODEL TYPE: X2026T-PXXX-D | | | |
| | | | PART NO.: 2.00mm Crimp Style Connectors | | | |
| | | | DWG NO.: | | | |

| PART NO | Material | Wire Range | Insulation O.D. | Finish | Suitable XKB |
|---------------|-----------------|------------|-----------------|--|--------------|
| X2026T-P303-D | Phosphor Bronze | AWG#22-28 | 1.60mm(Max) | Stamping Before plating:30u" MIN. Ni: 70u" Sn | X2026H-D |
| X2026T-P22-28 | Phosphor Bronze | AWG#22-28 | 1.60mm(Max) | Stamping Before plating:30u" MIN. Ni: Contact 3u" Au | X2026H-D |



Specifications :

- Voltage rating: 250V AC / DC
- Current rating: 3A AC / DC
- Withstanding voltage: 1000V AC/minute
- Temperature range: -25°C~+85°C
- Insulation resistance: ≥1000MΩ
- Contact resistance: ≤30mΩ
- After environmental testing: ≤50mΩ

X2026 T X-P SN X - D

①

②

③

④

⑤

⑥

⑦

⑧

⑨

⑩

⑪

⑫

⑬

⑭

⑮

⑯

⑰

⑱

⑲

⑳

㉑

㉒

Mold No./Mark/Special No.:

⑦ Plating method : Blank-Stamping before plating

⑥ SN-Bright tin plating ; G03-Contact Gold Plating 3u"

⑤ Plating style:

④ Material: P-Phosphor bronze

③ Shape: Blank-ordinary

② Category: T-terminal

① Series Number

D-Mating 2026H-2*08D Series Following Housing

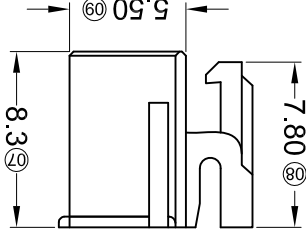
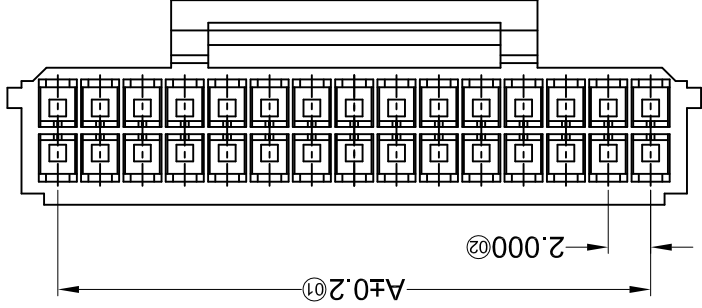
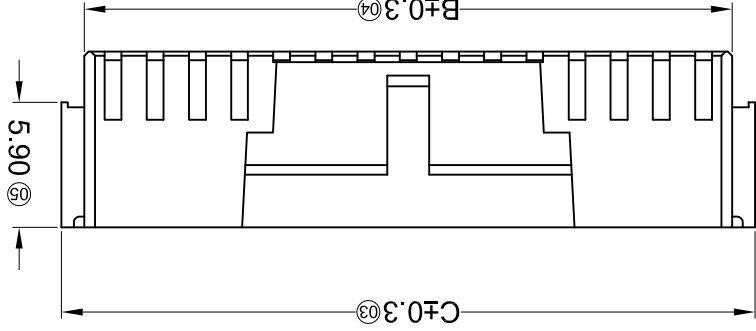
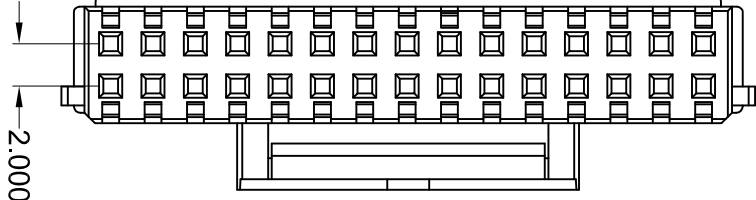
For and on behalf of
KXB INDUSTRIAL PRECISION CO., LIMITED
 香港星坤工業精密有限公司

| MARK | DESCRIPTION | DATE | REVISED | APPROVED | UNSPECIFIED TOLERANCES |
|------|-------------|------|---------|----------|------------------------|
| △ X | | | | | L > 63 |
| △ X | | | | | 16 > L ≤ 63 |
| △ X | | | | | 4 < L ≤ 16 |
| | | | | | L ≤ 4 |
| | | | | | ANGULAR |
| | | | | | ±5° |

KXB INDUSTRIAL PRECISION CO., LIMITED

| | |
|----------|------|
| WEIGHT | 1.0g |
| SHEET | 1/1 |
| REVISION | A0 |

| | | | |
|------------|-----------------------------|-----------|----------|
| DATE | DATE | DATE | DATE |
| VIEW: | UNIT: mm | SIZE: A4 | |
| SCALE: N/A | MODEL TYPE: X2026H-2*XXD-N0 | PART NO.: | DWG NO.: |
| DNSD | DWN | CHKD | APPD |



- **Specifications :**
- Voltage rating: 250V AC / DC
 - Current rating: 3A AC / DC
 - Withstanding voltage: 1000V AC/minute
 - Temperature range: -25°C~+85°C
 - Insulation resistance: ≥100MΩ
 - Contact resistance: ≤30mΩ
 - After environmental testing : ≤50mΩ

X2026 H X-2*XX D-N0 XX

- Series No.
- Category: H-HSG
- Appearance type: Blank-Ordinary
- Row No.-Pin No.: 2*XX-2*02P~2*22P
- Plug the Pin & special No.
- D-With Lock in the middle
- Material: N0-PA66 94V-0
- Color: Blank-Natural Color

| Poles | Dimensions (mm) | | |
|-------|-----------------|-------|------|
| | A | B | C |
| 2*02 | 2.00 | 4.60 | 2*12 |
| 2*03 | 4.00 | 6.60 | 2*13 |
| 2*04 | 6.00 | 8.60 | 2*14 |
| 2*05 | 8.00 | 10.60 | 2*15 |
| 2*06 | 10.00 | 12.60 | 2*16 |
| 2*07 | 12.00 | 14.60 | 2*17 |
| 2*08 | 14.00 | 16.60 | 2*18 |
| 2*09 | 16.00 | 18.60 | 2*19 |
| 2*10 | 18.00 | 20.60 | 2*20 |
| 2*11 | 20.00 | 22.60 | 2*21 |

| | | | |
|-----------------|-------------------|-----------------------|-----------------------|
| PART NO | Material | Suitable XKB Terminal | Suitable XKB Terminal |
| X2026H-2*XXD-N0 | Nylon 66 UL 94V-0 | X2026T-D | X2026W-D |

X-ON Electronics

Largest Supplier of Electrical and Electronic Components

Click to view similar products for [Headers & Wire Housings](#) category:

Click to view products by [XKB](#) manufacturer:

Other Similar products are found below :

[95000-104TRLF](#) [10135584-644402LF](#) [DF62W-EP2022PCA](#) [95000-106TRLF](#) [DF62W-2022SCA](#) [DF62W-EP2022PC](#) [2203348](#) [DF62W-2022SC](#) [1084018](#) [1029039](#) [1084017](#) [802-10-012-10-002000](#) [1112640](#) [1112639](#) [891-007-9SS-BST1T](#) [000-34000](#) [0008550134](#) [0009482033](#) [0009507031](#) [57102-F02-18ULF](#) [57102-S06-03LF](#) [57202-S52-04LF](#) [PCN6-15S-2.5E](#) [0039019024](#) [58102-G61-06LF](#) [582553-1](#) [0009485154](#) [0009508121](#) [0022285053](#) [0050291907](#) [018731A](#) [LY20-4P-DT1-P1E-BR](#) [02.125.8002.8](#) [60101931](#) [60598-1 \(Cut Strip\)](#) [M1625-3R/100](#) [61062-3](#) [61082-181009](#) [CSU011177004](#) [636-1427](#) [638009-1](#) [641938-9](#) [641991-4](#) [644168-1](#) [644827-2](#) [647662-1](#) [65039-019ELF](#) [65692-001LF](#) [65781-018](#) [65781-047](#)