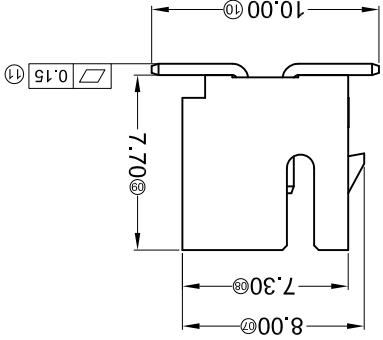
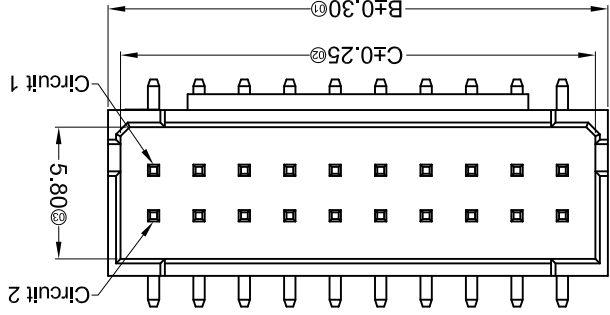
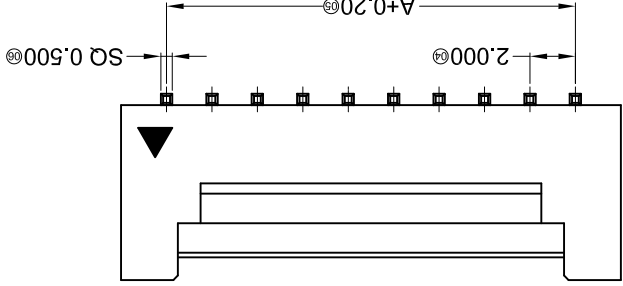
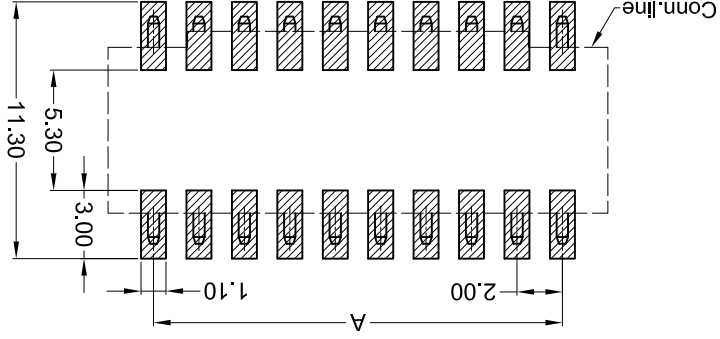


For and on behalf of
XKB INDUSTRIAL PRECISION CO., LIMITED
 香港星坤工業精密有限公司

MARK	DESCRIPTION	DATE	REVISED	APPROVED	UNSPECIFIED TOLERANCES
△ X					L > 63
△ X					16 < L ≤ 63
△ X					4 < L ≤ 16
△ X					L ≤ 4
					ANGULAR
					±5°

Recommended P.C.B Layout
 General Tolerance ±0.05



PART NO	Material	Material(Fin)	Finish(Fin)	Suitable XKB Terminal
X2026WV-S-2*XXD-9TSN	PA9T 94V-0	Brass	Tin-Plated	X2026H-D

Poles	Dimensions (mm)		
	A	B	C
2*02	2.00	6.00	4.90
2*03	4.00	8.00	6.90
2*04	6.00	10.00	8.90
2*05	8.00	12.00	10.90
2*06	10.00	14.00	12.90
2*07	12.00	16.00	14.90
2*08	14.00	18.00	16.90
Poles			
Dimensions (mm)			
A	B	C	
2*16	30.00	34.00	32.90
2*17	32.00	36.00	34.90
2*18	34.00	38.00	36.90
2*19	36.00	40.00	38.90
2*20	38.00	42.00	40.90
2*30	58.00	62.00	60.90

- ① Series No. X2026 W V S-2*XX D -9T SN XX
 ② Category: W-WAFER
 ③ Welding Board Angle: V-Straight 180°
 ④ Welding Way: S-SMT
 ⑤ Row No.-Pin No.: 2*XX-2*02P-2*30P
 ⑥ Plug the Pin & Special No.: D-With Lock in the middle
 ⑦ Material: 9T -PA9T 94V-0
 ⑧ Plating Category: SN-Bright Tin Plating
 ⑨ Color : Blank-Natural Color

- Specifications :
- Voltage rating: 250V AC / DC
 - Current rating: 3A AC / DC
 - Withstanding voltage: 1000V AC/minute
 - Temperature range: -25°C~+85°C
 - Insulation resistance: ≥1000MΩ
 - Contact resistance: ≤30mΩ
 - After environmental testing: ≤50mΩ

REVISION	SHEET	WEIGHT	REVISION
A0	1/1	1.0g	

DATE	SCALE: N/A	VIEW:	UNIT: mm	SIZE: A4

DATE	DATE	DATE	DATE

DATE	DATE	DATE	DATE

DATE	DATE	DATE	DATE

DATE	DATE	DATE	DATE

DATE	DATE	DATE	DATE

DATE	DATE	DATE	DATE

DATE	DATE	DATE	DATE

DATE	DATE	DATE	DATE

DATE	DATE	DATE	DATE

DATE	DATE	DATE	DATE

DATE	DATE	DATE	DATE

DATE	DATE	DATE	DATE

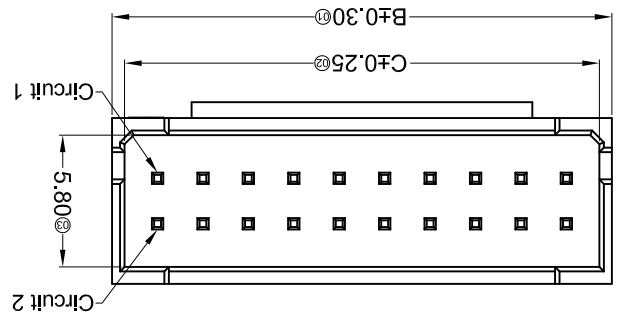
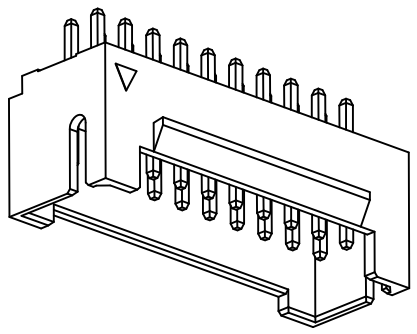
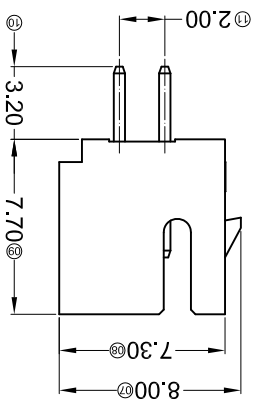
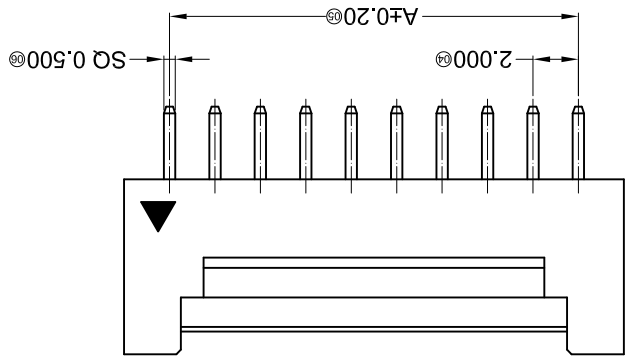
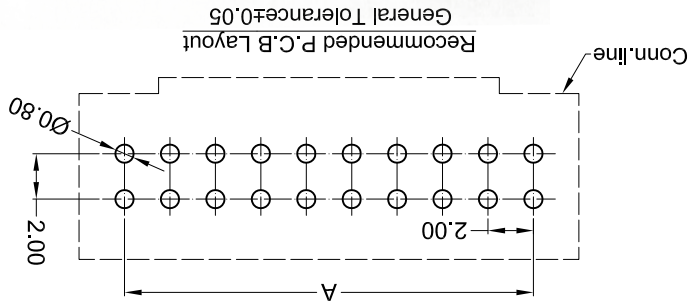
DATE	DATE	DATE	DATE

REVISIONS		UNSPECIFIED TOLERANCES	
MARK	DESCRIPTION	APPROVED	DATE
△ X			
△ X			
△ X			

For and on behalf of
XKB INDUSTRIAL PRECISION CO., LIMITED
 香港星坤工業精密有限公司

REVISIONS		UNSPECIFIED TOLERANCES	
MARK	DESCRIPTION	APPROVED	DATE
△ X			
△ X			
△ X			

For and on behalf of
XKB INDUSTRIAL PRECISION CO., LIMITED
 香港星坤工業精密有限公司



Poles	Dimensions (mm)	Poles	Dimensions (mm)	Poles	Dimensions (mm)
A	2.02	A	2.02	A	2.02
B	2.03	B	2.03	B	2.03
C	2.04	C	2.04	C	2.04
	2.05		2.05		2.05
	2.06		2.06		2.06
	2.07		2.07		2.07
	2.08		2.08		2.08

PART NO	Material	Material(Fin)	Finish(Fin)	Suitable XKB Terminal
X2026WV-2*XXD-4TSN	PA4T 94V-0	Brass	Tin-Plated	X2026H-D
X2026WV-2*XXD-9TV03	PA9T 94V-0	Brass	Gold-Plated 3u"	X2026H-D
X2026WV-2*XXD-6SN	PA46 94V-0	Brass	Tin-Plated	X2026H-D

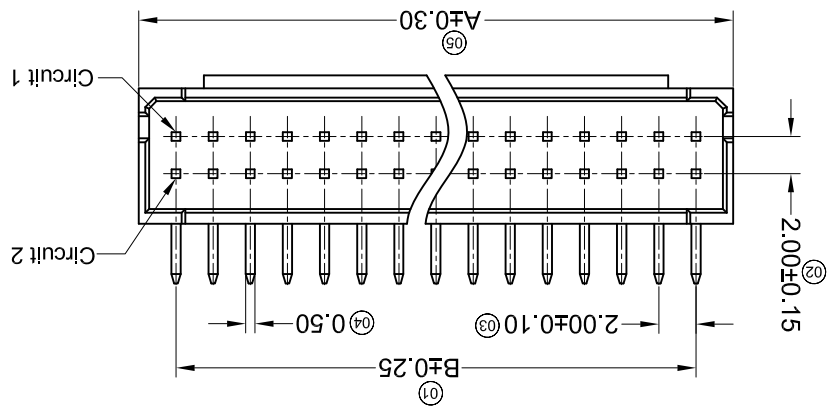
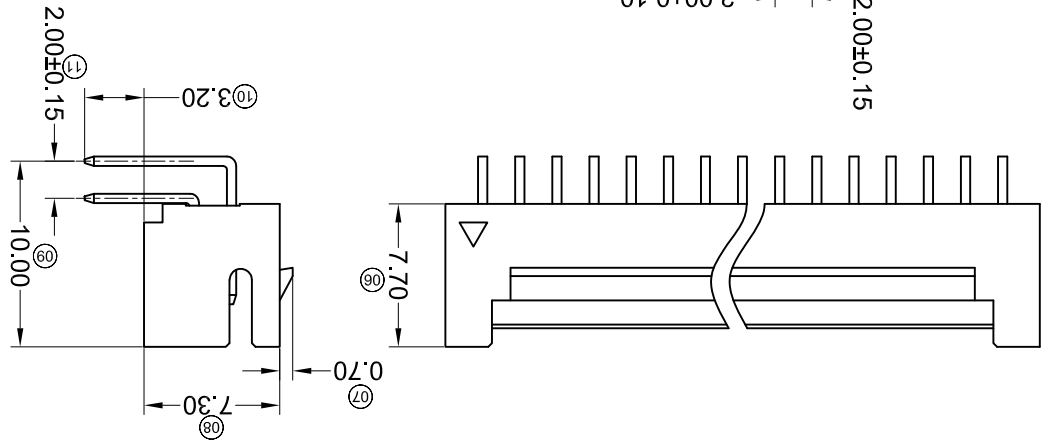
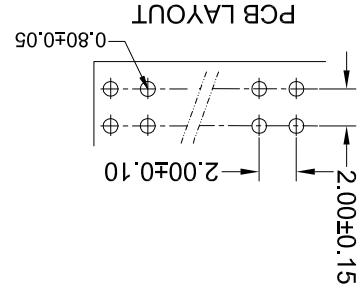
- Specifications :**
- Voltage rating: 250V AC / DC
 - Current rating: 3A AC / DC
 - Withstanding voltage: 1000V AC/minute
 - Temperature range: -25°C~+85°C
 - Insulation resistance: ≥1000MΩ
 - Contact resistance: ≤30mΩ
 - After environmental testing: ≤50mΩ
- ① Series No.
 ② Category: W-WAFER
 ③ Welding Board Angle: V-Straight 180°
 ④ Welding Way: Blank-DIP
 ⑤ Row No.-Pin No.: 2*XX-2*04P~2*30P
 ⑥ Plug the Pin & Special No.: D-With Lock in the middle
 ⑦ Material: 46-PA46 94V-0, 9T-PA9T 94V-0,
 4T-PA4T 94V-0
 ⑧ Plating Category:
 SN-Bright Tin Plating, V03-All Gold-Plated 3u"
 ⑨ Color: Blank-Natural Color

X2026 W V X-2*XX D -XX XX XX

For and on behalf of
XKB INDUSTRIAL PRECISION CO., LIMITED
 香港星坤工業精密有限公司
 REVISIONS
 Authorized Signatures(s)

MARK	DESCRIPTION	DATE	REVISED	APPROVED	UNSPECIFIED TOLERANCES
△ X					L > 63 ± 0.5
△ X					16 > L ≤ 63 ± 0.4
△ X					4 < L ≤ 16 ± 0.3
△ X					L ≤ 4 ± 0.2
					ANGULAR ± 5°

DSND	DATE	SCALE: N/A	MODEL TYPE: X2026WR-2*XXDS-XXSN
DWN	DATE <td>VIEW: </td> <td>PART NO.:</td>	VIEW:	PART NO.:
CHKD	DATE <td>UNIT: mm</td> <td>DWG NO.:</td>	UNIT: mm	DWG NO.:
APPD	DATE <td>SIZE: A4</td> <td></td>	SIZE: A4	

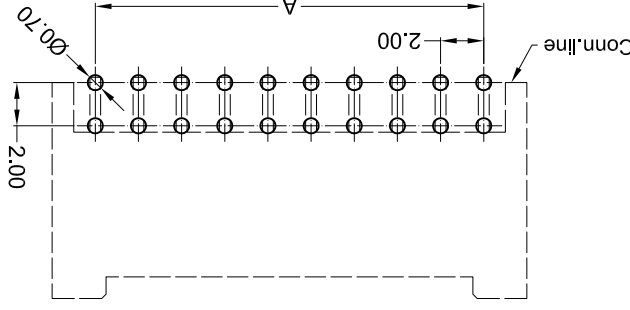
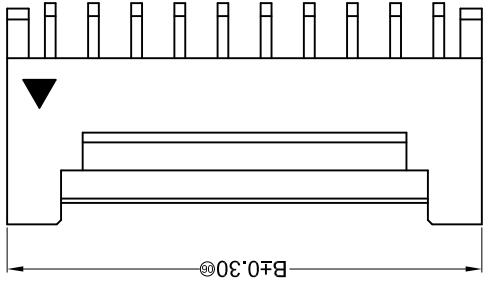
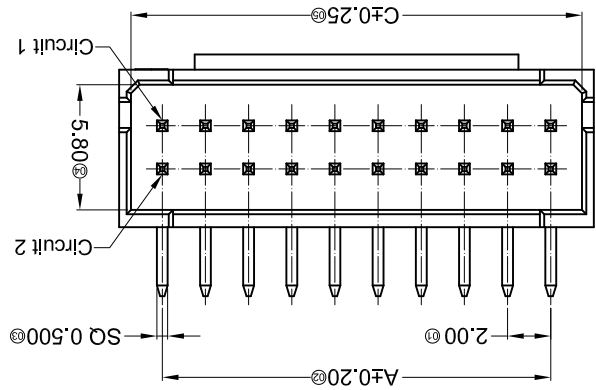


PART NO	Material	Material(Pin)	Finish(Pin)	Suitable XKB Terminal	Q'ty/Bag
X2026WR-2*XXDS-46SN	Nylon 46 UL 94V-0	Brass	Tin-Plated	X2026H-D	1,000Pcs

Poles	08	10	12	14	16	18	20	22	24	26	28	30	32	34	36	38	40	60	
Dimensions (mm)	10.00	12.00	14.00	16.00	18.00	20.00	22.00	24.00	26.00	28.00	30.00	32.00	34.00	36.00	38.00	40.00	42.00	62.00	58.00

- X2026 WR X-2*XX DS -XX SN XX
- ① Series No.
 - ② Category: W-WAFER
 - ③ Welding Board Angle: V-180°; R-90°
 - ④ Welding Way: Blank-DIP; S-SMT
 - ⑤ Row No.-Pin No.: XX-Single Row; 2*XX-Double Row
 - ⑥ Plug the Pin & Special No.:
 - ⑦ Material: 46-PA46 94V-0
 - ⑧ Plating Category: G**-Gold Plated Contact
 - V**- All Gold-Plated
 - 01-Gold Flash 02-2u" 03-3u"
 - 05-5u" 10-10u" 15-15u"
 - SN-Bright Tin Plating (70-120u")
 - SN1-Bright Tin Plating (120u" Min).
 - 0-No Plating Material
 - SW-Fog Tin Plating
 - HS-Hight temperature Tin
 - ⑨ Color: Blank-Natural Color

- Specifications:
- Voltage rating: 250V AC / DC
 - Current rating: 3A AC / DC
 - Withstanding voltage: 1000V AC/minute
 - Temperature range: -25°C~+85°C
 - Insulation resistance: ≥1000MΩ
 - Contact resistance: ≤30mΩ
 - After environmental testing: ≤50mΩ

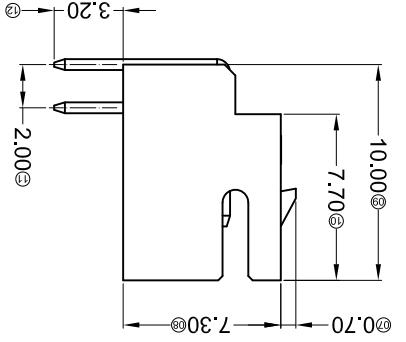
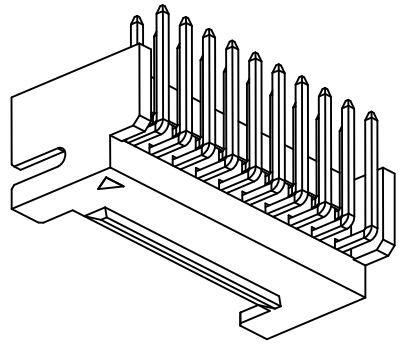


Recommended P.C.B Layout
General Tolerance±0.05

For and on behalf of
XKB INDUSTRIAL PRECISION CO., LIMITED
香港星坤工業精密有限公司

REVISIONS
Unauthorized Signatures(s)

MARK	DESCRIPTION	DATE	REVISED	APPROVED	UNSPECIFIED TOLERANCES
△X					L > 63 ±0.5
△X					16 > L ≤ 63 ±0.4
△X					4 < L ≤ 16 ±0.3
△X					L ≤ 4 ±0.2
					ANGULAR ±5°



Poles	Dimensions (mm)			Poles	Dimensions (mm)		
	A	B	C		A	B	C
2*02	2.00	6.00	4.90	2*09	16.00	20.00	18.90
2*03	4.00	8.00	6.90	2*10	18.00	22.00	20.90
2*04	6.00	10.00	8.90	2*11	20.00	24.00	22.90
2*05	8.00	12.00	10.90	2*12	22.00	26.00	24.90
2*06	10.00	14.00	12.90	2*13	24.00	28.00	26.90
2*07	12.00	16.00	14.90	2*14	26.00	30.00	28.90
2*08	14.00	18.00	16.90	2*15	28.00	32.00	30.90

PART NO	Material	Material(Pin)	Finish(Pin)	Suitable XKB Terminal
X2026WR-2*XXD-4TSN	PA4T 94V-0	Brass	Tin-Plated	2026H-D
X2026WR-2*XXD-46SN	PA46 94V-0	Brass	Tin-Plated	2026H-D

- Specifications :
- Voltage rating: 250V AC / DC
 - Current rating: 3A AC / DC
 - Withstanding voltage: 1000V AC/minute
 - Temperature range: -25°C~+85°C
 - Insulation resistance: ≥1000MΩ
 - Contact resistance: ≤30mΩ
 - After environmental testing: ≤50mΩ

X2026 W R X-2*XX D -46 SN XX

- Series No.
- Category: W-WAFER
- Welding Board Angle: R-Right Angle 90°
- Welding Way: Blank-DIP
- Row No.-Pin No.: 2*XX-2*04P~2*30P
- Plug the Pin & Special No.: D-With Lock in the middle
- Material: 46 -PA46 94V-0, 4T -PA4T 94V-0
- Plating Category: SN-Bright Tin Plating
- Color : Blank-Natural Color

DSND	DATE	SCALE: N/A	MODEL TYPE:
			X2026WR-2*XXD-XXSN
DWN	DATE	VIEW:	PART NO.:
			2.00mm Crimp Style Connectors
CHKD	DATE	UNIT: mm	DWG NO.:
APPD	DATE	SIZE: A4	REVISION
			WEIGHT 1.0g
			SHEET 1/1
			REVISION A0

XKB INDUSTRIAL PRECISION CO., LIMITED

For and on behalf of
XKB INDUSTRIAL PRECISION CO., LIMITED
 香港星坤工業精密有限公司

Authorized Signature(s)

MARK	DESCRIPTION	DATE	REVISIONS
△ X			
△ X			
△ X			

UNSPECIFIED TOLERANCES	APPROVED	REVISED	DATE
±0.5			
±0.4			
±0.3			
±0.2			
±0.1			
ANGULAR			
±5°			

REVISION	SHEET	WEIGHT	DATE	DATE	DATE	DATE
A0	1/1	1.0g				

MODEL TYPE:	SCALE:	VIEW:	UNIT:	SIZE:
X2026T-PXXX-D	N/A	3/4	mm	A4

DNSD	DWN	CHKD	APPD

Specifications :

- Voltage rating: 250V AC / DC
- Current rating: 3A AC / DC
- Withstanding voltage: 1000V AC/minute
- Temperature range: -25°C~+85°C
- Insulation resistance: ≥1000MΩ
- Contact resistance: ≤30mΩ
- After environmental testing: ≤50mΩ

X2026 T X-P SN X - D

① Series Number

② Category: T-terminal

③ Shape: Blank-ordinary

④ Material: P-Phosphor bronze

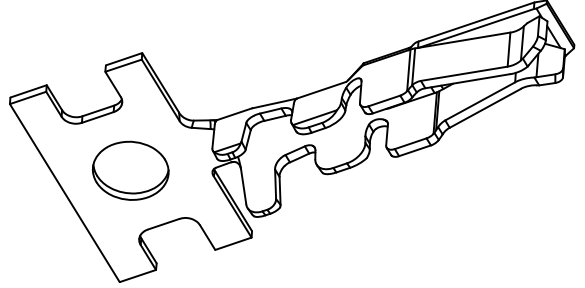
⑤ Plating style:

⑥ SN-Bright tin plating ; G03-Contact Gold Plating 3u"

⑦ Plating method : Blank-stamping before plating

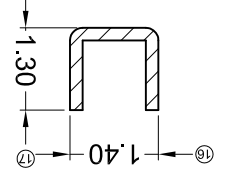
Mold No./Mark/Special No.:

D-Mating 2026H-2*08D Series Following Housing

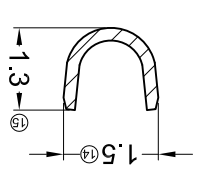


PART NO	Material	Wire Range	Insulation O.D.	Finish	Suitable XKB
X2026T-PG03-D	Phosphor Bronze	AWG#22-28	1.60mm(Max)	Stamping Before plating:30u" MIN. Ni: 70u"Sn	X2026H-D
X2026T-P22-28	Phosphor Bronze	AWG#22-28	1.60mm(Max)	Stamping Before plating:30u" MIN. Ni: Contact 3u"Au	X2026H-D

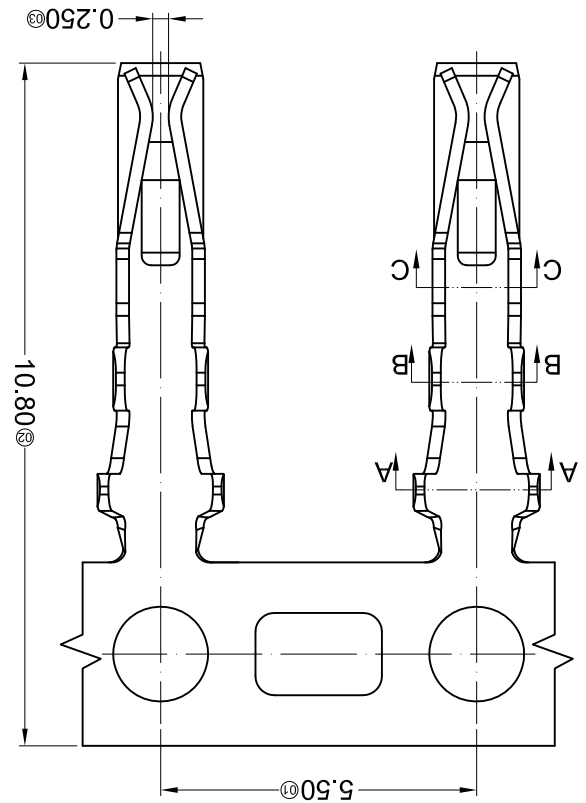
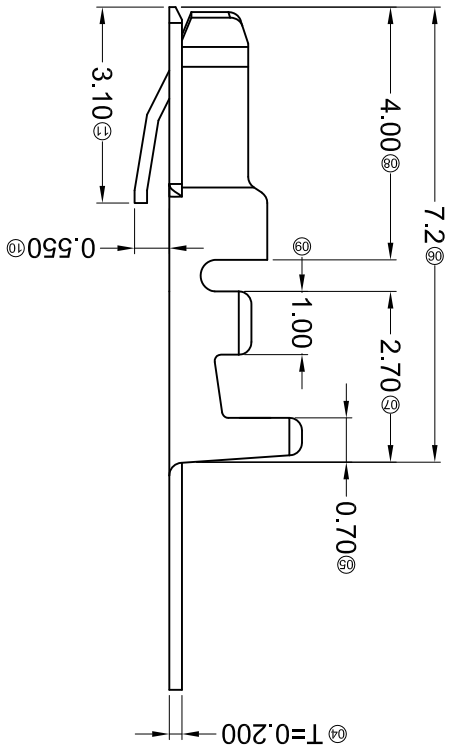
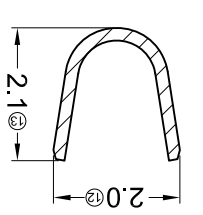
SECTION: C-C
SCALE: 1:1

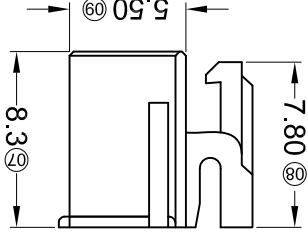
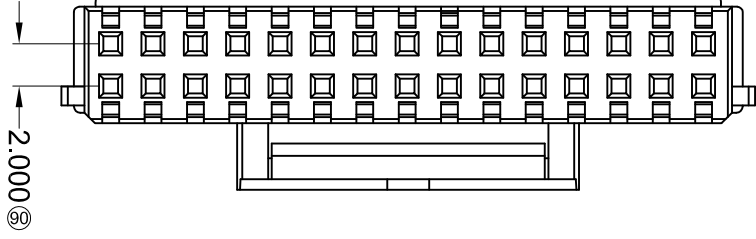
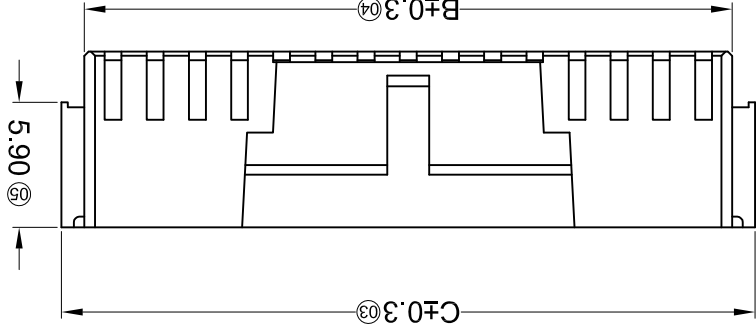
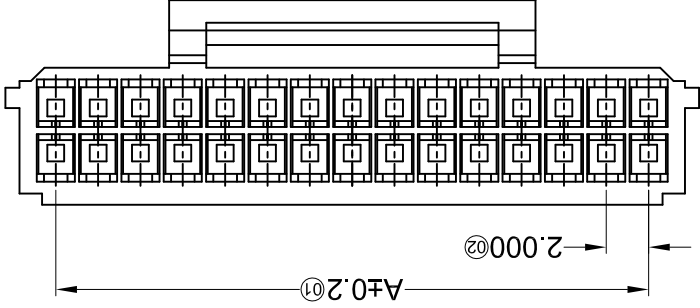


SECTION: B-B
SCALE: 1:1



SECTION: A-A
SCALE: 1:1





- Specifications :
- Voltage rating: 250V AC / DC
 - Current rating: 3A AC / DC
 - Withstanding voltage: 1000V AC/minute
 - Temperature range: -25°C~+85°C
 - Insulation resistance: ≥100MΩ
 - Contact resistance: ≤30mΩ
 - After environmental testing : ≤50mΩ

X2026 H X-2*XX D-N0 XX

① Series No.

② Category: H-HSG

③ Appearance type: Blank-Ordinary

④ Row No.-Pin No.: 2*XX-2*02P~2*22P

⑤ Plug the Pin & special No.:

D-With Lock in the middle

⑥ Material: N0-PA66 94V-0

⑦ Color: Blank-Natural Color

Poles	Dimensions (mm)		
	A	B	C
2*02	2.00	4.60	2*12
2*03	4.00	6.60	2*13
2*04	6.00	8.60	2*14
2*05	8.00	10.60	2*15
2*06	10.00	12.60	2*16
2*07	12.00	14.60	2*17
2*08	14.00	16.60	2*18
2*09	16.00	18.60	2*19
2*10	18.00	20.60	2*20
2*11	20.00	22.60	2*21

PART NO	Material	Suitable XKB Terminal	Suitable XKB Terminal
X2026H-2*XXD-N0	Nylon 66 UL 94V-0	X2026T-D	X2026W-D

DSND DATE SCALE: N/A

DWN DATE VIEW:

CHKD DATE UNIT: mm

APPD DATE SIZE: A4

MODEL TYPE: X2026H-2*XXD-N0

PART NO.: 2.00mm Crimp Style Connectors

DWG NO.:

WEIGHT 1.0g SHEET 1/1 REVISION A0

For and on behalf of

XKB INDUSTRIAL PRECISION CO., LIMITED

香港星洲工業精密有限公司

REVISIONS (Authorized Signatures)

UNSPECIFIED TOLERANCES

APPROVED L > 63 ±0.5

REVISD 16 > L ≤ 63 ±0.4

APPROVED 4 < L ≤ 16 ±0.3

REVISD L ≤ 4 ±0.2

APPROVED ANGULAR ±5°

XKB INDUSTRIAL PRECISION CO., LIMITED

X-ON Electronics

Largest Supplier of Electrical and Electronic Components

Click to view similar products for [Headers & Wire Housings](#) category:

Click to view products by [XKB](#) manufacturer:

Other Similar products are found below :

[95000-104TRLF](#) [10135584-644402LF](#) [DF62W-EP2022PCA](#) [95000-106TRLF](#) [DF62W-2022SCA](#) [DF62W-EP2022PC](#) [2203348](#) [DF62W-2022SC](#) [1084018](#) [1029039](#) [1084017](#) [802-10-012-10-002000](#) [1112640](#) [1112639](#) [891-007-9SS-BST1T](#) [000-34000](#) [0008550134](#) [0009482033](#) [0009507031](#) [57102-F02-18ULF](#) [57102-S06-03LF](#) [57202-S52-04LF](#) [PCN6-15S-2.5E](#) [0039019024](#) [58102-G61-06LF](#) [582553-1](#) [0009485154](#) [0009508121](#) [0022285053](#) [0050291907](#) [018731A](#) [LY20-4P-DT1-P1E-BR](#) [02.125.8002.8](#) [60101931](#) [60598-1 \(Cut Strip\)](#) [M1625-3R/100](#) [61062-3](#) [61082-181009](#) [CSU011177004](#) [636-1427](#) [638009-1](#) [641938-9](#) [641991-4](#) [644168-1](#) [644827-2](#) [647662-1](#) [65039-019ELF](#) [65692-001LF](#) [65781-018](#) [65781-047](#)