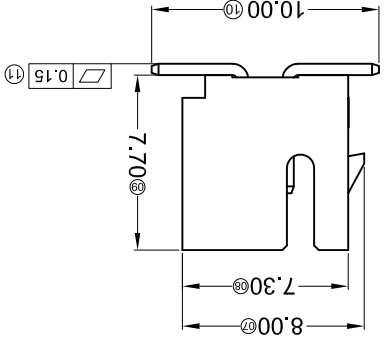
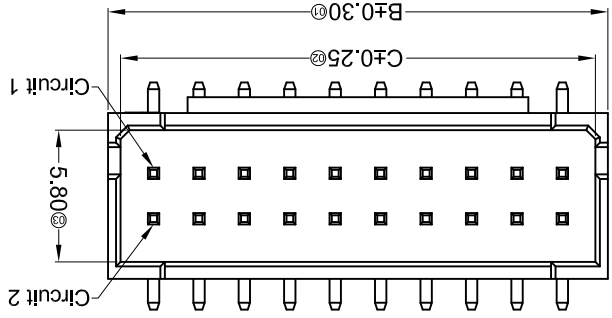
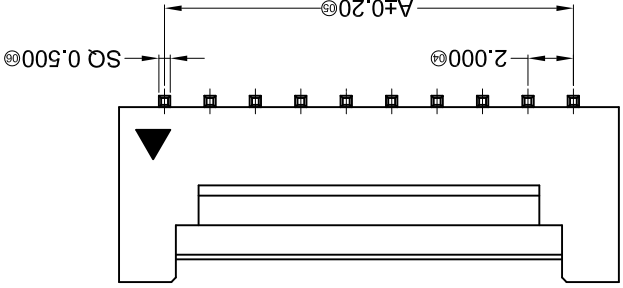
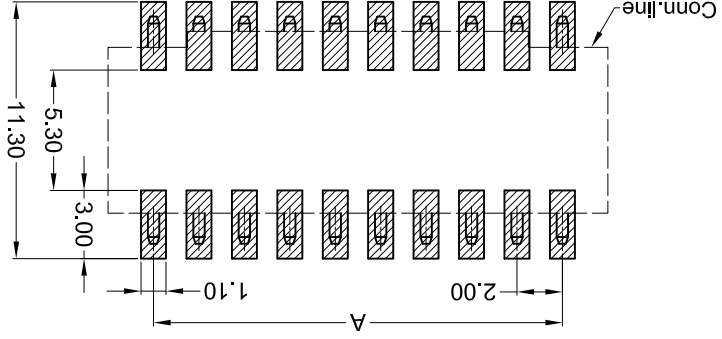


For and on behalf of
XKB INDUSTRIAL PRECISION CO., LIMITED
 香港星坤工業精密有限公司

MARK	DESCRIPTION	DATE	REVISED	APPROVED	UNSPECIFIED TOLERANCES
△ X					L > 63
△ X					16 < L ≤ 63
△ X					4 < L ≤ 16
△ X					L ≤ 4
					ANGULAR
					±5°

Recommended P.C.B Layout
 General Tolerance ±0.05



PART NO	Material	Material (Fin)	Finish (Fin)	Suitable XKB Terminal
X2026WV-S-2*XXD-9TSN	PA9T 94V-0	Brass	Tin-Plated	X2026H-D

Poles	Dimensions (mm)		
	A	B	C
2*02	2.00	6.00	4.90
2*03	4.00	8.00	6.90
2*04	6.00	10.00	8.90
2*06	8.00	12.00	10.90
2*07	10.00	14.00	12.90
2*08	12.00	16.00	14.90
2*09	14.00	18.00	16.90
2*10	16.00	20.00	18.90
2*11	18.00	22.00	20.90
2*12	20.00	24.00	22.90
2*13	22.00	26.00	24.90
2*14	24.00	28.00	26.90
2*15	26.00	30.00	28.90
2*16	28.00	32.00	30.90
2*17	30.00	34.00	32.90
2*18	32.00	36.00	34.90
2*19	34.00	38.00	36.90
2*20	36.00	40.00	38.90
2*21	38.00	42.00	40.90
2*22	40.00	44.00	42.90
2*23	42.00	46.00	44.90
2*24	44.00	48.00	46.90
2*25	46.00	50.00	48.90
2*26	48.00	52.00	50.90
2*27	50.00	54.00	52.90
2*28	52.00	56.00	54.90
2*29	54.00	58.00	56.90
2*30	56.00	60.00	58.90

- ① Series No. X2026 W V S-2*XX D -9T SN XX
 ② Category: W-WAFER
 ③ Welding Board Angle: V-Straight 180°
 ④ Welding Way: S-SMT
 ⑤ Row No.-Pin No.: 2*XX-2*02P-2*30P
 ⑥ Plug the Pin & Special No.: D-With Lock in the middle
 ⑦ Material: 9T -PA9T 94V-0
 ⑧ Plating Category: SN-Bright Tin Plating
 ⑨ Color : Blank-Natural Color

- Specifications :
- Voltage rating: 250V AC / DC
 - Current rating: 3A AC / DC
 - Withstanding voltage: 1000V AC/minute
 - Temperature range: -25°C~+85°C
 - Insulation resistance: ≥1000MΩ
 - Contact resistance: ≤30mΩ
 - After environmental testing: ≤50mΩ

DSND	DATE	SCALE: N/A	MODEL TYPE: X2026WV-S-2*XXD-9TSN
DWN	DATE <td>VIEW: </td> <td>PART NO.:</td>	VIEW:	PART NO.:
CHKD	DATE <td>UNIT: mm</td> <td>DWG NO.:</td>	UNIT: mm	DWG NO.:
APPD	DATE <td>SIZE: A4</td> <td></td>	SIZE: A4	

REVISION	SHEET	WEIGHT
A0	1/1	1.0g

REVISIONS		UNSPECIFIED TOLERANCES	
MARK	DESCRIPTION	APPROVED	DATE
△ X			L > 63
△ X			16 < L ≤ 63
△ X			4 < L ≤ 16
△ X			L ≤ 4
			ANGULAR
			±5°

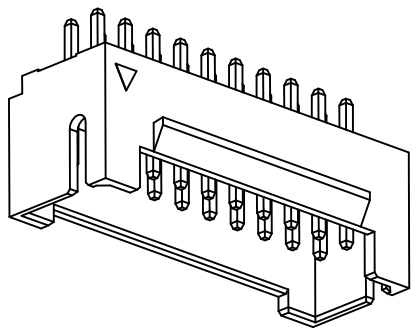
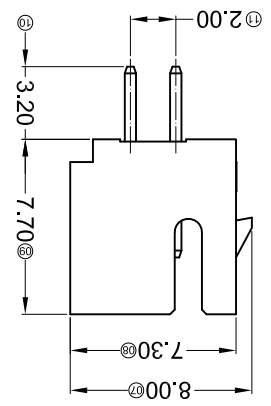
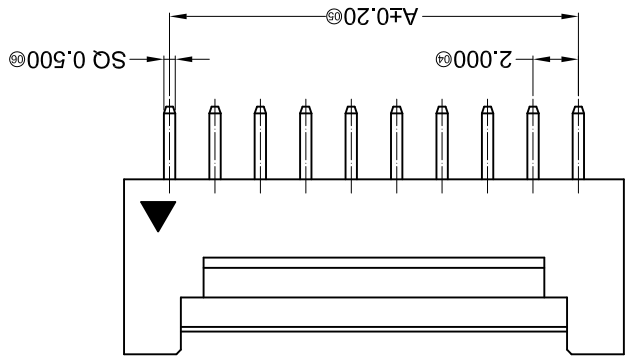
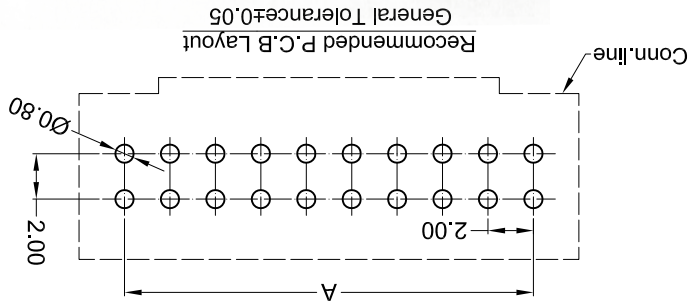
For and on behalf of
XKB INDUSTRIAL PRECISION CO., LIMITED
 香港星坤工業精密有限公司

REVISIONS		UNSPECIFIED TOLERANCES	
MARK	DESCRIPTION	APPROVED	DATE
△ X			L > 63
△ X			16 < L ≤ 63
△ X			4 < L ≤ 16
△ X			L ≤ 4
			ANGULAR
			±5°

For and on behalf of
XKB INDUSTRIAL PRECISION CO., LIMITED
 香港星坤工業精密有限公司

WEIGHT	1.0g
SHEET	1/1
REVISION	A0

MODEL TYPE:	N/A
SCALE:	N/A
VIEW:	VIEW: mm
UNIT:	mm
SIZE:	A4
DWG NO.:	
PART NO.:	X2026WV-2*XXD-XXXXX
	2.00mm Crimp Style Connectors



Dimensions (mm)	Poles	Dimensions (mm)	Poles	Dimensions (mm)	Poles	Dimensions (mm)	Poles
2.02	A	2.00	A	2.09	A	18.90	C
2.03	B	6.00	B	4.90	B	18.00	B
2.04	C	10.00	C	8.90	C	22.00	C
2.05	A	12.00	A	12.90	A	20.90	A
2.06	B	14.00	B	14.90	B	28.00	B
2.07	C	16.00	C	16.90	C	26.00	C
2.08	A	18.00	A	18.90	A	32.00	A
2.09	B	20.00	B	21.90	B	30.00	B
2.10	C	22.00	C	24.90	C	28.90	C
2.11	A	24.00	A	27.90	A	26.90	A
2.12	B	26.00	B	30.90	B	24.90	B
2.13	C	28.00	C	32.90	C	22.90	C
2.14	A	30.00	A	34.00	A	20.90	A
2.15	B	32.00	B	35.00	B	18.90	B
2.16	C	34.00	C	36.90	C	16.90	C
2.17	A	36.00	A	38.90	A	14.90	A
2.18	B	38.00	B	40.90	B	12.90	B
2.19	C	40.00	C	42.00	C	10.90	C
2.20	A	42.00	A	43.00	A	8.90	A
2.21	B	44.00	B	44.00	B	6.90	B
2.22	C	46.00	C	45.00	C	4.90	C
2.23	A	48.00	A	46.00	A	2.90	A
2.24	B	50.00	B	47.00	B	0.90	B
2.25	C	52.00	C	48.00	C	0.90	C
2.26	A	54.00	A	49.00	A	0.90	A
2.27	B	56.00	B	50.00	B	0.90	B
2.28	C	58.00	C	51.00	C	0.90	C
2.29	A	60.00	A	52.00	A	0.90	A
2.30	B	62.00	B	53.00	B	0.90	B
2.31	C	64.00	C	54.00	C	0.90	C
2.32	A	66.00	A	55.00	A	0.90	A
2.33	B	68.00	B	56.00	B	0.90	B
2.34	C	70.00	C	57.00	C	0.90	C
2.35	A	72.00	A	58.00	A	0.90	A
2.36	B	74.00	B	59.00	B	0.90	B
2.37	C	76.00	C	60.00	C	0.90	C
2.38	A	78.00	A	61.00	A	0.90	A
2.39	B	80.00	B	62.00	B	0.90	B
2.40	C	82.00	C	63.00	C	0.90	C
2.41	A	84.00	A	64.00	A	0.90	A
2.42	B	86.00	B	65.00	B	0.90	B
2.43	C	88.00	C	66.00	C	0.90	C
2.44	A	90.00	A	67.00	A	0.90	A
2.45	B	92.00	B	68.00	B	0.90	B
2.46	C	94.00	C	69.00	C	0.90	C
2.47	A	96.00	A	70.00	A	0.90	A
2.48	B	98.00	B	71.00	B	0.90	B
2.49	C	100.00	C	72.00	C	0.90	C

- ① Series No.
- ② Category: W-WAFER
- ③ Welding Board Angle: V-Straight 180°
- ④ Welding Way: Blank-DIP
- ⑤ Row No.-Pin No.: 2*XX-2*04P~2*30P
- ⑥ Plug the Pin & Special No.: D-With Lock in the middle
- ⑦ Material: 46-P446 94V-0, 9T-P49T 94V-0,
- ⑧ 4T-P44T 94V-0
- ⑨ Plating Category: SN-Bright Tin Plating, V03-All Gold-Plated 3u"
- ⑩ Color: Blank-Natural Color

■ Specifications :
 X2026 W V X-2*XX D -XX XX XX

- Voltage rating: 250V AC / DC
- Current rating: 3A AC / DC
- Withstanding voltage: 1000V AC/minute
- Temperature range: -25°C~+85°C
- Insulation resistance: ≥1000MΩ
- Contact resistance: ≤30mΩ
- After environmental testing: ≤50mΩ

For and on behalf of
XKB INDUSTRIAL PRECISION CO., LIMITED
 香港星坤工業精密有限公司
 REVISIONS
 Authorized Signatures(s)

MARK	DESCRIPTION	DATE	REVISED	APPROVED	UNSPECIFIED TOLERANCES
△ X					L > 63 ± 0.5
△ X					16 > L ≤ 63 ± 0.4
△ X					4 < L ≤ 16 ± 0.3
△ X					L ≤ 4 ± 0.2
					ANGULAR ± 5°

DSND	DATE	SCALE: N/A	MODEL TYPE: X2026WR-2*XXDS-XXSN
DWN	DATE <td>VIEW: </td> <td>PART NO.:</td>	VIEW:	PART NO.:
CHKD	DATE <td>UNIT: mm</td> <td>DWG NO.:</td>	UNIT: mm	DWG NO.:
APPD	DATE <td>SIZE: A4</td> <td></td>	SIZE: A4	

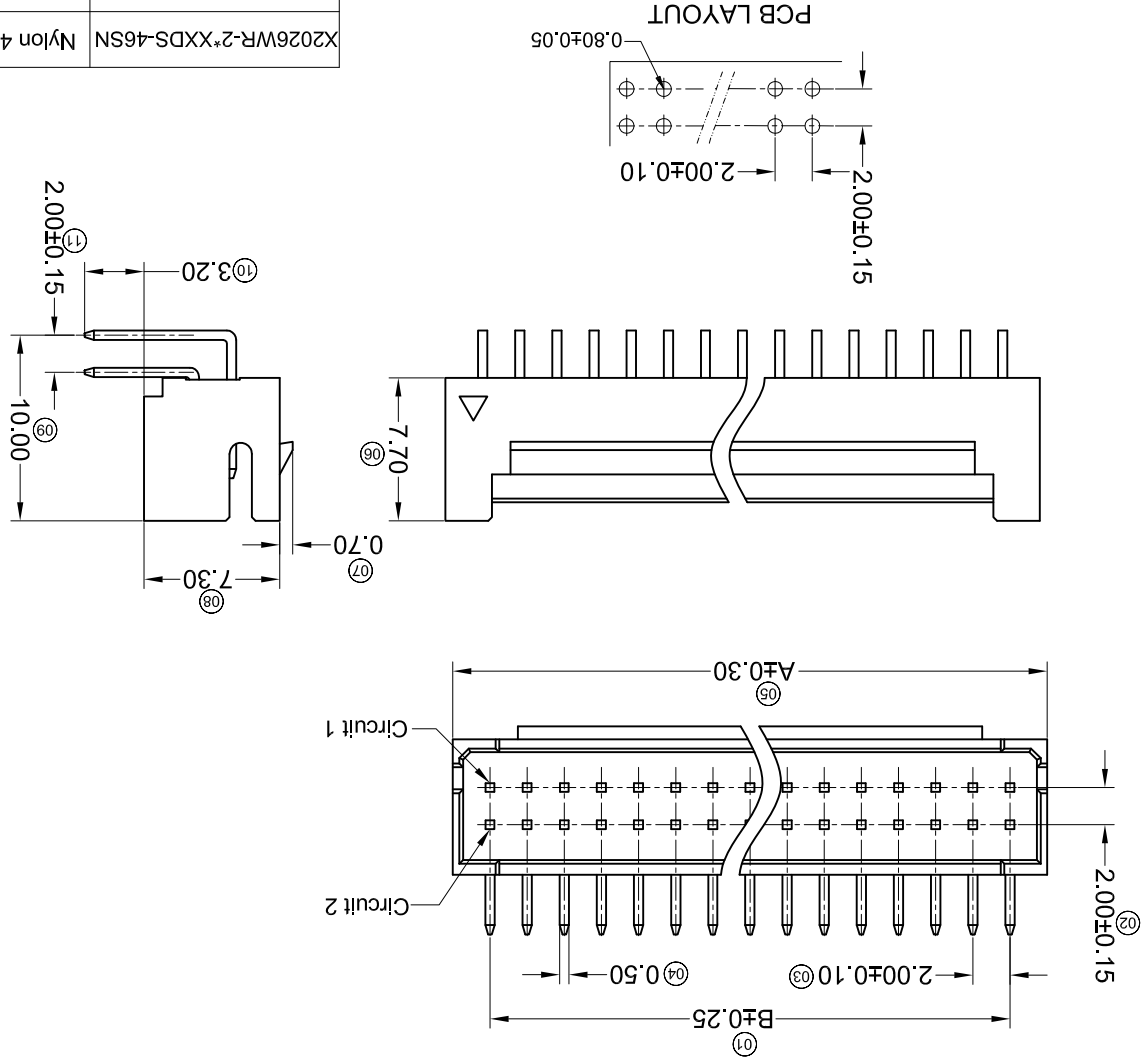
WEIGHT	SHEET	REVISION
1.0g	1/1	A0

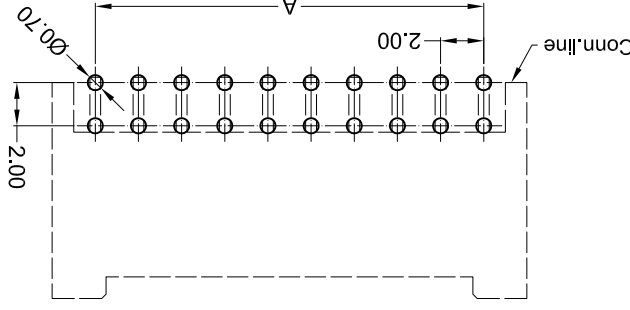
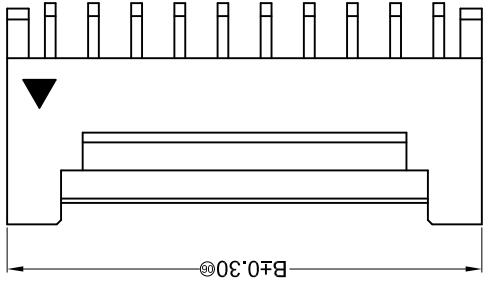
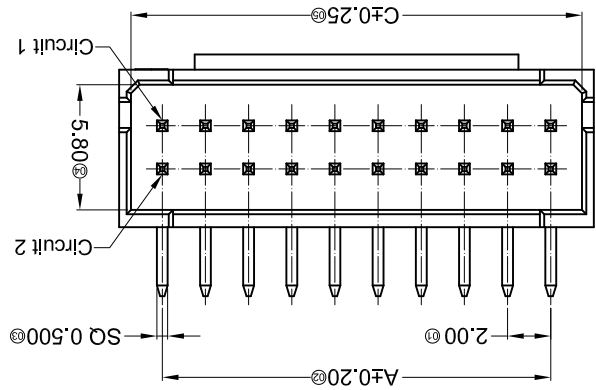
PART NO	Material	Material(Pin)	Finish(Pin)	Suitable XKB Terminal	Q'ty/Bag
X2026WR-2*XXDS-46SN	Nylon 46 UL 94V-0	Brass	Tin-Plated	X2026H-D	1,000Pcs

Poles	A	B
08	10.00	6.00
10	12.00	8.00
12	14.00	10.00
14	16.00	12.00
16	18.00	14.00
18	20.00	16.00
20	22.00	18.00
22	24.00	20.00
24	26.00	22.00
26	28.00	24.00
28	30.00	26.00
30	32.00	28.00
32	34.00	30.00
34	36.00	32.00
36	38.00	34.00
38	40.00	36.00
40	42.00	38.00
60	62.00	58.00

- ① Series No. X2026 WR X-2*XX DS -XX SN XX
 ② Category: W-WAFER
 ③ Welding Board Angle: V-180°; R-90°
 ④ Welding Way: Blank-DIP; S-SMT
 ⑤ Row No.-Pin No.: XX-Single Row; 2*XX-Double Row
 ⑥ Plug the Pin & Special No.:
 ⑦ Material: 46-PA46 94V-0
 ⑧ Plating Category: G**-Gold Plated Contact
 V**- All Gold-Plated
 01-Gold Flash 02-2u" 03-3u"
 05-5u" 10-10u" 15-15u"
 SN-Bright Tin Plating (70-120u")
 SN1-Bright Tin Plating (120u" Min).
 0-No Plating Material
 SW-Fog Tin Plating
 HS-Hight temperature Tin
 ⑨ Color: Blank-Natural Color

- Specifications:
- Voltage rating: 250V AC / DC
 - Current rating: 3A AC / DC
 - Withstanding voltage: 1000V AC/minute
 - Temperature range: -25°C~+85°C
 - Insulation resistance: ≥1000MΩ
 - Contact resistance: ≤30mΩ
 - After environmental testing: ≤50mΩ



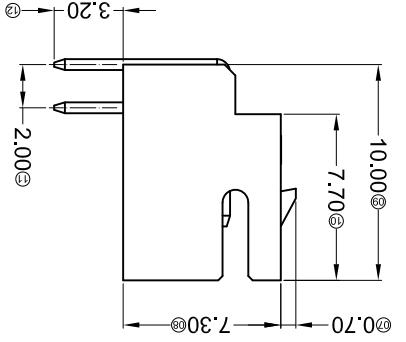
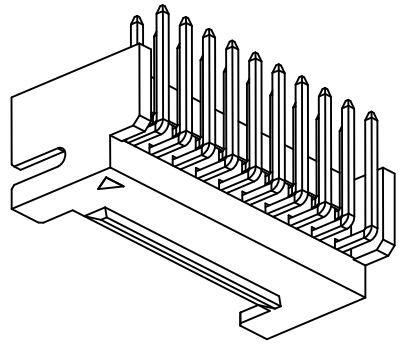


Recommended P.C.B Layout
General Tolerance±0.05

For and on behalf of
XKB INDUSTRIAL PRECISION CO., LIMITED
香港星坤工業精密有限公司

REVISIONS
Authorized Signature(s)

MARK	DESCRIPTION	DATE	REVISED	APPROVED	UNSPECIFIED TOLERANCES
△X					L > 63 ±0.5
△X					16 > L ≤ 63 ±0.4
△X					4 < L ≤ 16 ±0.3
△X					L ≤ 4 ±0.2
					ANGULAR ±5°



Poles	Dimensions (mm)			Poles	Dimensions (mm)		
	A	B	C		A	B	C
2*02	2.00	6.00	4.90	2*09	16.00	20.00	18.90
2*03	4.00	8.00	6.90	2*10	18.00	22.00	20.90
2*04	6.00	10.00	8.90	2*11	20.00	24.00	22.90
2*05	8.00	12.00	10.90	2*12	22.00	26.00	24.90
2*06	10.00	14.00	12.90	2*13	24.00	28.00	26.90
2*07	12.00	16.00	14.90	2*14	26.00	30.00	28.90
2*08	14.00	18.00	16.90	2*15	28.00	32.00	30.90

PART NO	Material	Material(Pin)	Finish(Pin)	Suitable XKB Terminal
X2026WR-2*XXD-4TSN	PA4T 94V-0	Brass	Tin-Plated	2026H-D
X2026WR-2*XXD-46SN	PA46 94V-0	Brass	Tin-Plated	2026H-D

- Specifications :
- Voltage rating: 250V AC / DC
 - Current rating: 3A AC / DC
 - Withstanding voltage: 1000V AC/minute
 - Temperature range: -25°C~+85°C
 - Insulation resistance: ≥1000MΩ
 - Contact resistance: ≤30mΩ
 - After environmental testing: ≤50mΩ

X2026 W R X-2*XX D -46 SN XX
① ② ③ ④ ⑤ ⑥ ⑦ ⑧ ⑨

- Series No.
- Category: W-WAFER
- Welding Board Angle: R-Right Angle 90°
- Welding Way: Blank-DIP
- Row No.-Pin No.: 2*XX-2*04P~2*30P
- Plug the Pin & Special No.: D-With Lock in the middle
- Material: 46 -PA46 94V-0, 4T -PA4T 94V-0
- Plating Category: SN-Bright Tin Plating
- Color : Blank-Natural Color

DSND	DATE	SCALE: N/A	MODEL TYPE:
			X2026WR-2*XXD-XXSN
DWN	DATE	VIEW:	PART NO.:
			2.00mm Crimp Style Connectors
CHKD	DATE	UNIT: mm	DWG NO.:
APPD	DATE	SIZE: A4	REVISION
			1/1
			WEIGHT
			1.0g
			REVISION
			A0

XKB INDUSTRIAL PRECISION CO., LIMITED

For and on behalf of
XKB INDUSTRIAL PRECISION CO., LIMITED
 香港星坤工業精密有限公司

Revisions
 Authorized Signature(s)

MARK	DESCRIPTION	DATE	REVISED	APPROVED	UNSPECIFIED TOLERANCES
△ X					L > 63 ± 0.5
△ X					16 < L ≤ 63 ± 0.4
△ X					4 < L ≤ 16 ± 0.3
△ X					L ≤ 4 ± 0.2
					ANGULAR ± 5°

REVISION	SHEET	WEIGHT	DATE	DATE	DATE	DATE	DATE
A0	1/1	1.0g					

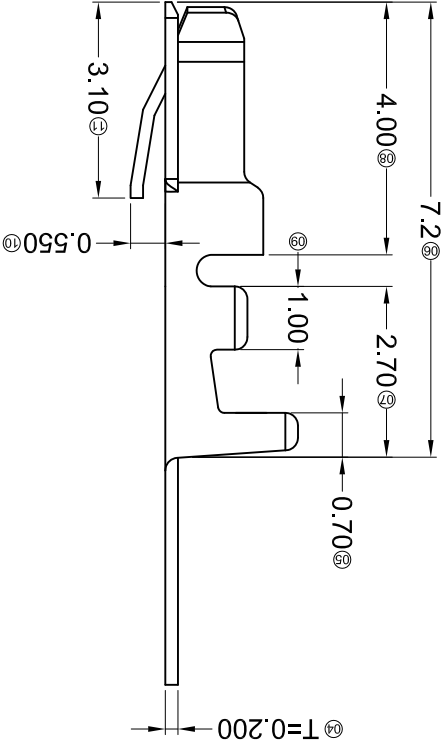
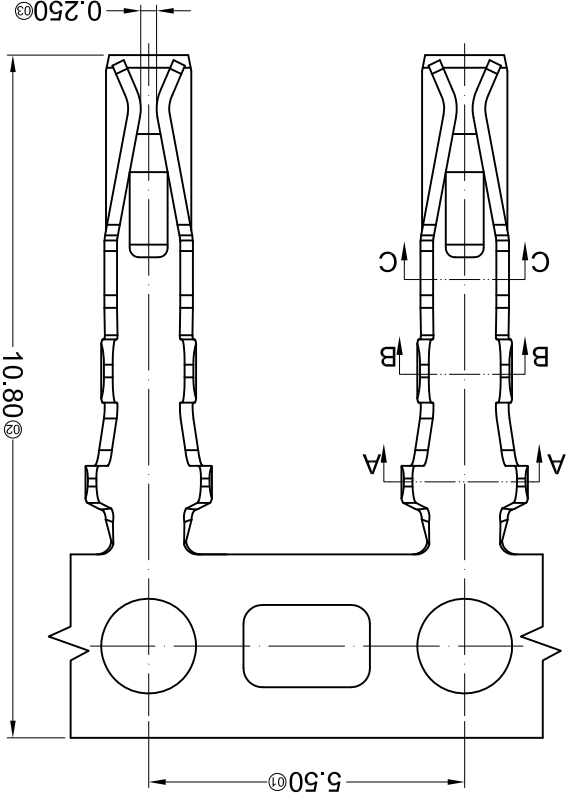
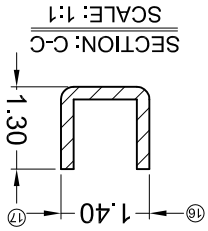
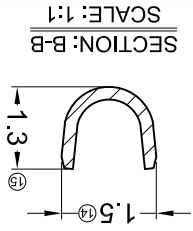
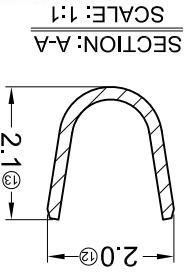
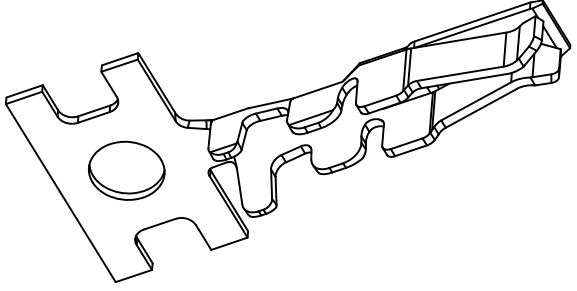
DSND	SCALE: N/A	DATE	VIEW:	UNIT: mm	SIZE: A4

DWN	DATE	PART NO.:	DWG NO.:
		X2026T-PXXX-D	

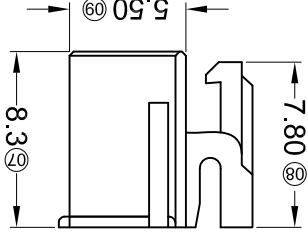
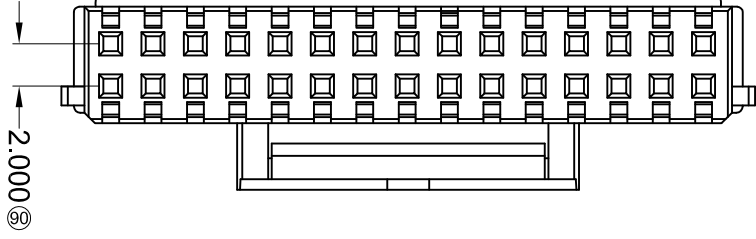
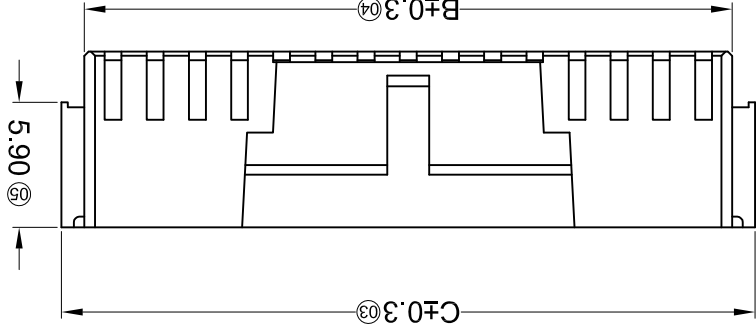
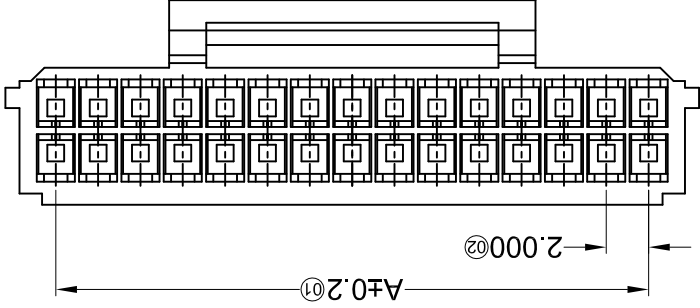
CHKD	DATE	MODEL TYPE:
		X2026T-PXXX-D

APPD	DATE	REVISION

PART NO	Material	Wire Range	Insulation O.D.	Finish	Suitable XKB
X2026T-PG03-D	Phosphor Bronze	AWG#22-28	1.60mm(Max)	Stamping Before plating:30u" MIN. Ni; 70u" Sn	X2026H-D
X2026T-PSN-D	Phosphor Bronze	AWG#22-28	1.60mm(Max)	Stamping Before plating:30u" MIN. Ni; 70u" Sn	X2026H-D



- Specifications :
- Voltage rating: 250V AC / DC
 - Current rating: 3A AC / DC
 - Withstanding voltage: 1000V AC/minute
 - Temperature range: -25°C~+85°C
 - Insulation resistance: ≥1000MΩ
 - Contact resistance: ≤30mΩ
 - After environmental testing: ≤50mΩ
- X2026 T X-P SN X - D
- Series Number
 - Category: T-terminal
 - Shape: Blank-ordinary
 - Material: P-Phosphor bronze
 - Plating style:
 - SN-Bright tin plating ; G03-Contact Gold Plating 3u"
 - Plating method : Blank-Stamping before plating
 - Mold No./Mark/Special No.:
 - D-Mating 2026H-2*08D Series Following Housing



- Specifications :
- Voltage rating: 250V AC / DC
 - Current rating: 3A AC / DC
 - Withstanding voltage: 1000V AC/minute
 - Temperature range: -25°C~+85°C
 - Insulation resistance: ≥100MΩ
 - Contact resistance: ≤30mΩ
 - After environmental testing : ≤50mΩ

X2026 H X-2*XX D-N0 XX

① Series No.

② Category: H-HSG

③ Appearance type: Blank-Ordinary

④ Row No.-Pin No.: 2*XX-2*02P~2*22P

⑤ Plug the Pin & special No.:

D-With Lock in the middle

⑥ Material: N0-PA66 94V-0

⑦ Color: Blank-Natural Color

Poles	Dimensions (mm)		
	A	B	C
2*02	2.00	4.60	2*12
2*03	4.00	6.60	2*13
2*04	6.00	8.60	2*14
2*05	8.00	10.60	2*15
2*06	10.00	12.60	2*16
2*07	12.00	14.60	2*17
2*08	14.00	16.60	2*18
2*09	16.00	18.60	2*19
2*10	18.00	20.60	2*20
2*11	20.00	22.60	2*21

PART NO	Material	Suitable XKB Terminal	Suitable XKB Terminal
X2026H-2*XXD-N0	Nylon 66 UL 94V-0	X2026T-D	X2026W-D

DSND DATE SCALE: N/A

DWN DATE VIEW:

CHKD DATE UNIT: mm

APPD DATE SIZE: A4

MODEL TYPE:	SCALE: N/A	WEIGHT	SHEET	REVISION
X2026H-2*XXD-N0		1.0g	1/1	A0

MARK	DESCRIPTION	DATE	REVISED	APPROVED	UNSPECIFIED TOLERANCES
△X					L > 63 ±0.5
△X					16 < L ≤ 63 ±0.4
△X					4 < L ≤ 16 ±0.3
					L ≤ 4 ±0.2
					ANGULAR ±5°

For and on behalf of
XKB INDUSTRIAL PRECISION CO., LIMITED
 香港星坤工業精密有限公司

REVISIONS
 Authorized Signature(s)

XKB INDUSTRIAL PRECISION CO., LIMITED

X-ON Electronics

Largest Supplier of Electrical and Electronic Components

Click to view similar products for [Headers & Wire Housings](#) category:

Click to view products by [XKB](#) manufacturer:

Other Similar products are found below :

[95000-104TRLF](#) [10135584-644402LF](#) [DF62W-EP2022PCA](#) [95000-106TRLF](#) [DF62W-2022SCA](#) [DF62W-EP2022PC](#) [2203348](#) [DF62W-2022SC](#) [1084018](#) [1029039](#) [1084017](#) [802-10-012-10-002000](#) [1112640](#) [1112639](#) [891-007-9SS-BST1T](#) [000-34000](#) [0008550134](#) [0009482033](#) [0009507031](#) [57102-F02-18ULF](#) [57102-S06-03LF](#) [57202-S52-04LF](#) [PCN6-15S-2.5E](#) [0039019024](#) [58102-G61-06LF](#) [582553-1](#) [0009485154](#) [0009508121](#) [0022285053](#) [0050291907](#) [018731A](#) [LY20-4P-DT1-P1E-BR](#) [02.125.8002.8](#) [60101931](#) [60598-1 \(Cut Strip\)](#) [M1625-3R/100](#) [61062-3](#) [61082-181009](#) [CSU011177004](#) [636-1427](#) [638009-1](#) [641938-9](#) [641991-4](#) [644168-1](#) [644827-2](#) [647662-1](#) [65039-019ELF](#) [65692-001LF](#) [65781-018](#) [65781-047](#)