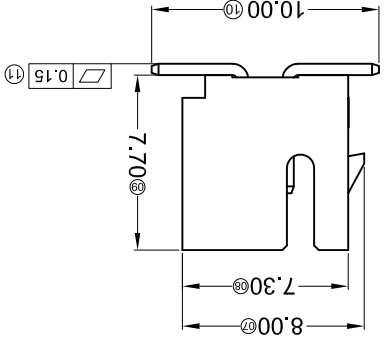
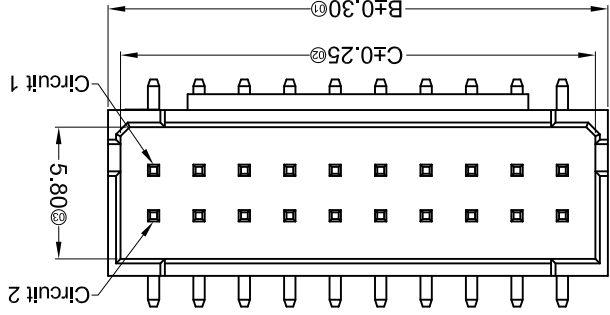
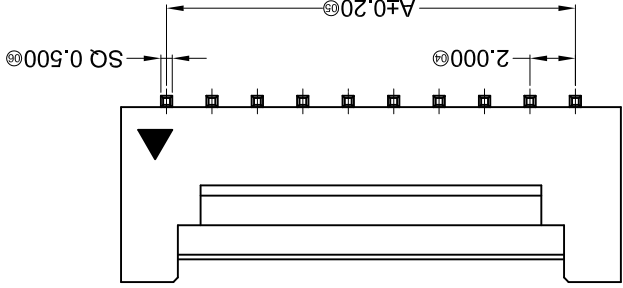
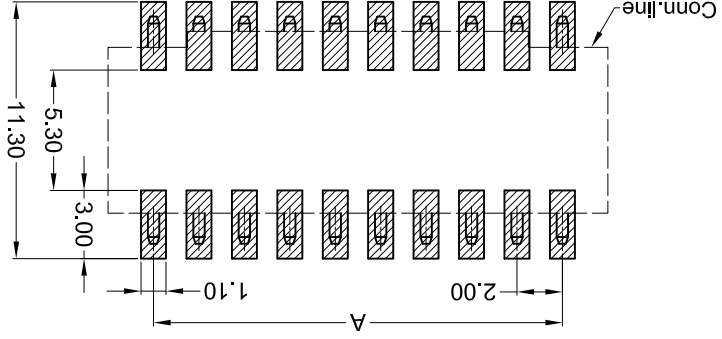


For and on behalf of
XKB INDUSTRIAL PRECISION CO., LIMITED
 香港星洲工業精密有限公司

MARK	DESCRIPTION	DATE	REVISD	APPROVED	UNSPCIFIED TOLERANCES
△ X					L > 63
△ X					16 < L ≤ 63
△ X					4 < L ≤ 16
△ X					L ≤ 4
					ANGULAR
					± 5°

Recommended P.C.B Layout
 General Tolerance ±0.05



Poles	Dimensions (mm)		
	A	B	C
2*02	2.00	6.00	4.90
2*03	4.00	8.00	6.90
2*04	6.00	10.00	8.90
2*05	8.00	12.00	10.90
2*06	10.00	14.00	12.90
2*07	12.00	16.00	14.90
2*08	14.00	18.00	16.90

Poles	Dimensions (mm)		
	A	B	C
2*09	16.00	20.00	18.90
2*10	18.00	22.00	20.90
2*11	20.00	24.00	22.90
2*12	22.00	26.00	24.90
2*13	24.00	28.00	26.90
2*14	26.00	30.00	28.90
2*15	28.00	32.00	30.90

PART NO	Material	Material(Fin)	Finish(Fin)	Suitable XKB Terminal
X2026WV-S-2*XXD-9TSN	PA9T 94V-0	Brass	Tin-Plated	X2026H-D

- Specifications :
- Voltage rating: 250V AC / DC
 - Current rating: 3A AC / DC
 - Withstanding voltage: 1000V AC/minute
 - Temperature range: -25°C~+85°C
 - Insulation resistance: ≥1000MΩ
 - Contact resistance: ≤30mΩ
 - After environmental testing: ≤50mΩ

X2026 W V S-2*XX D -9T SN XX

- Series No.
- Category: W-WAFER
- Welding Board Angle: V-Straight 180°
- Welding Way: S-SMT
- Row No.-Pin No.: 2*XX-2*02P-2*30P
- Plug the Pin & Special No.: D-With Lock in the middle
- Material: 9T -PA9T 94V-0
- Plating Category: SN-Bright Tin Plating
- Color : Blank-Natural Color

DSND	DATE	SCALE: N/A	MODEL TYPE: X2026WV-S-2*XXD-9TSN
DWN	DATE <td>VIEW: </td> <td>PART NO.: 2.00mm Crimp Style Connectors</td>	VIEW:	PART NO.: 2.00mm Crimp Style Connectors
CHKD	DATE <td>UNIT: mm</td> <td>DWG NO.:</td>	UNIT: mm	DWG NO.:
APPD	DATE <td>SIZE: A4</td> <td></td>	SIZE: A4	

REVISION	SHEET	WEIGHT
A0	1/1	1.0g

REVISIONS		UNSPECIFIED TOLERANCES	
MARK	DESCRIPTION	APPROVED	DATE
△ X			L > 63
△ X			16 < L ≤ 63
△ X			4 < L ≤ 16
△ X			L ≤ 4
			ANGULAR ±5°

For and on behalf of
XKB INDUSTRIAL PRECISION CO., LIMITED
 香港星坤工業精密有限公司

REVISIONS		UNSPECIFIED TOLERANCES	
MARK	DESCRIPTION	APPROVED	DATE
△ X			L > 63
△ X			16 < L ≤ 63
△ X			4 < L ≤ 16
△ X			L ≤ 4
			ANGULAR ±5°

For and on behalf of
XKB INDUSTRIAL PRECISION CO., LIMITED
 香港星坤工業精密有限公司

WEIGHT	1.0g
SHEET	1/1
REVISION	A0

MODEL TYPE:	X2026WV-2*XXD-XXXXX
PART NO.:	X2026WV-2*XXD-XXXXX
DWG NO.:	

DATE	DATE	DATE	DATE	DATE	DATE
DNSD	DWN	CHKD	APPD		
SCALE: N/A	VIEW:	UNIT: mm	SIZE: A4		

PART NO	Material	Material(Fin)	Finish(Fin)	Suitable XKB Terminal
X2026WV-2*XXD-46SN	PA46 94V-0		Tin-Plated	X2026H-D
X2026WV-2*XXD-9T*V03	PA9T 94V-0		Gold-Plated 3u"	X2026H-D
X2026WV-2*XXD-4T*SN	PA4T 94V-0		Tin-Plated	X2026H-D

Poles	Dimensions (mm)		
	A	B	C
2*02	2.00	6.00	2*09
2*03	4.00	8.00	6.90
2*04	6.00	10.00	8.90
2*05	8.00	12.00	10.90
2*06	10.00	14.00	12.90
2*07	12.00	16.00	14.90
2*08	14.00	18.00	16.90

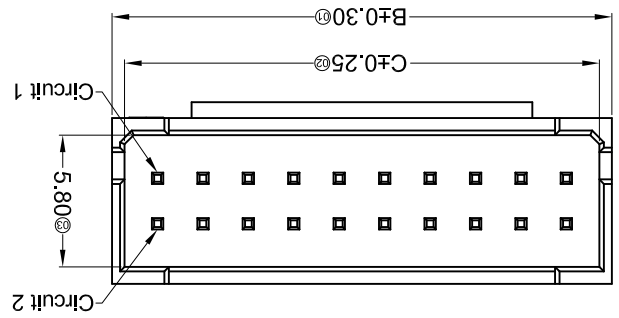
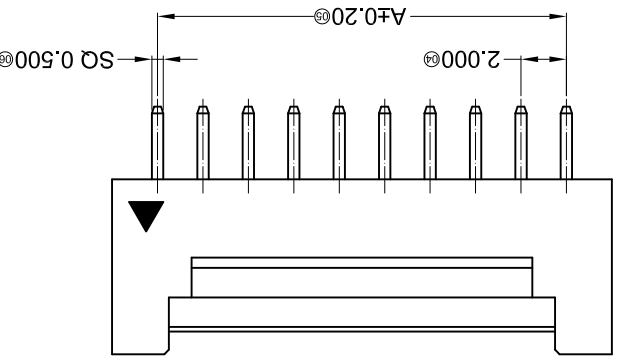
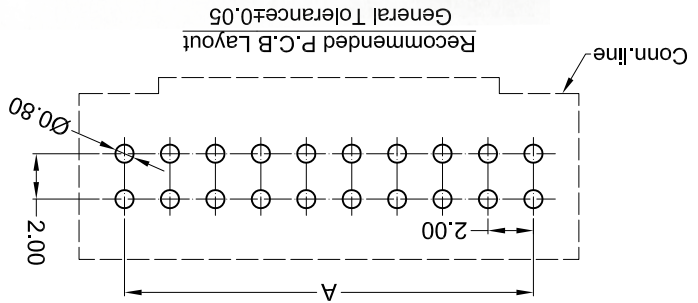
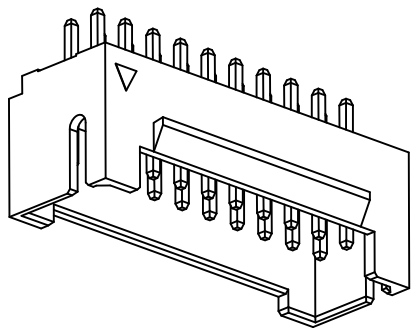
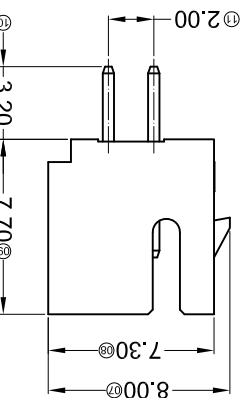
Poles	Dimensions (mm)		
	A	B	C
2*09	2.00	6.00	2*16
2*10	4.00	8.00	2*17
2*11	6.00	10.00	2*18
2*12	8.00	12.00	2*19
2*13	10.00	14.00	2*20
2*14	12.00	16.00	2*21
2*15	14.00	18.00	2*22
2*16	16.00	20.00	2*23
2*17	18.00	22.00	2*24
2*18	20.00	24.00	2*25
2*19	22.00	26.00	2*26
2*20	24.00	28.00	2*27
2*21	26.00	30.00	2*28
2*22	28.00	32.00	2*29
2*23	30.00	34.00	2*30
2*24	32.00	36.00	2*31
2*25	34.00	38.00	2*32
2*26	36.00	40.00	2*33
2*27	38.00	42.00	2*34
2*28	40.00	44.00	2*35
2*29	42.00	46.00	2*36
2*30	44.00	48.00	2*37
2*31	46.00	50.00	2*38
2*32	48.00	52.00	2*39
2*33	50.00	54.00	2*40
2*34	52.00	56.00	2*41
2*35	54.00	58.00	2*42
2*36	56.00	60.00	2*43
2*37	58.00	62.00	2*44
2*38	60.00	64.00	2*45
2*39	62.00	66.00	2*46
2*40	64.00	68.00	2*47
2*41	66.00	70.00	2*48
2*42	68.00	72.00	2*49
2*43	70.00	74.00	2*50
2*44	72.00	76.00	2*51
2*45	74.00	78.00	2*52
2*46	76.00	80.00	2*53
2*47	78.00	82.00	2*54
2*48	80.00	84.00	2*55
2*49	82.00	86.00	2*56
2*50	84.00	88.00	2*57
2*51	86.00	90.00	2*58
2*52	88.00	92.00	2*59
2*53	90.00	94.00	2*60
2*54	92.00	96.00	2*61
2*55	94.00	98.00	2*62
2*56	96.00	100.00	2*63
2*57	98.00	102.00	2*64
2*58	100.00	104.00	2*65
2*59	102.00	106.00	2*66
2*60	104.00	108.00	2*67
2*61	106.00	110.00	2*68
2*62	108.00	112.00	2*69
2*63	110.00	114.00	2*70
2*64	112.00	116.00	2*71
2*65	114.00	118.00	2*72
2*66	116.00	120.00	2*73
2*67	118.00	122.00	2*74
2*68	120.00	124.00	2*75
2*69	122.00	126.00	2*76
2*70	124.00	128.00	2*77
2*71	126.00	130.00	2*78
2*72	128.00	132.00	2*79
2*73	130.00	134.00	2*80
2*74	132.00	136.00	2*81
2*75	134.00	138.00	2*82
2*76	136.00	140.00	2*83
2*77	138.00	142.00	2*84
2*78	140.00	144.00	2*85
2*79	142.00	146.00	2*86
2*80	144.00	148.00	2*87
2*81	146.00	150.00	2*88
2*82	148.00	152.00	2*89
2*83	150.00	154.00	2*90
2*84	152.00	156.00	2*91
2*85	154.00	158.00	2*92
2*86	156.00	160.00	2*93
2*87	158.00	162.00	2*94
2*88	160.00	164.00	2*95
2*89	162.00	166.00	2*96
2*90	164.00	168.00	2*97
2*91	166.00	170.00	2*98
2*92	168.00	172.00	2*99
2*93	170.00	174.00	2*100

① Series No.
 ② Category: W-WAFER
 ③ Welding Board Angle: V-Straight 180°
 ④ Welding Way: Blank-DIP
 ⑤ Row No.-Pin No.: 2*XX-2*04P~2*30P
 ⑥ Plug the Pin & Special No.: D-With Lock in the middle
 ⑦ Material: 46-PA46 94V-0, 9T-PA9T 94V-0,
 4T-PA4T 94V-0
 ⑧ Plating Category:
 SN-Bright Tin Plating, V03-All Gold-Plated 3u"
 ⑨ Color: Blank-Natural Color

X2026 W V X-2*XX D -XX XX XX

● Voltage rating: 250V AC / DC
 ● Current rating: 3A AC / DC
 ● Withstanding voltage: 1000V AC/minute
 ● Temperature range: -25°C~+85°C
 ● Insulation resistance: ≥1000MΩ
 ● Contact resistance: ≤30mΩ
 ● After environmental testing: ≤50mΩ

Specifications:



For and on behalf of
XKB INDUSTRIAL PRECISION CO., LIMITED
 香港星坤工業精密有限公司
 REVISIONS
 Authorized Signatures(s)

MARK	DESCRIPTION	DATE	REVISED	APPROVED	UNSPECIFIED TOLERANCES
△ X					L > 63 ± 0.5
△ X					16 > L ≤ 63 ± 0.4
△ X					4 < L ≤ 16 ± 0.3
△ X					L ≤ 4 ± 0.2
					ANGULAR ± 5°

REVISION	SHEET	WEIGHT	SCALE: N/A	DATE	DATE	DATE	DATE	DATE	DATE
A0	1/1	1.0g							

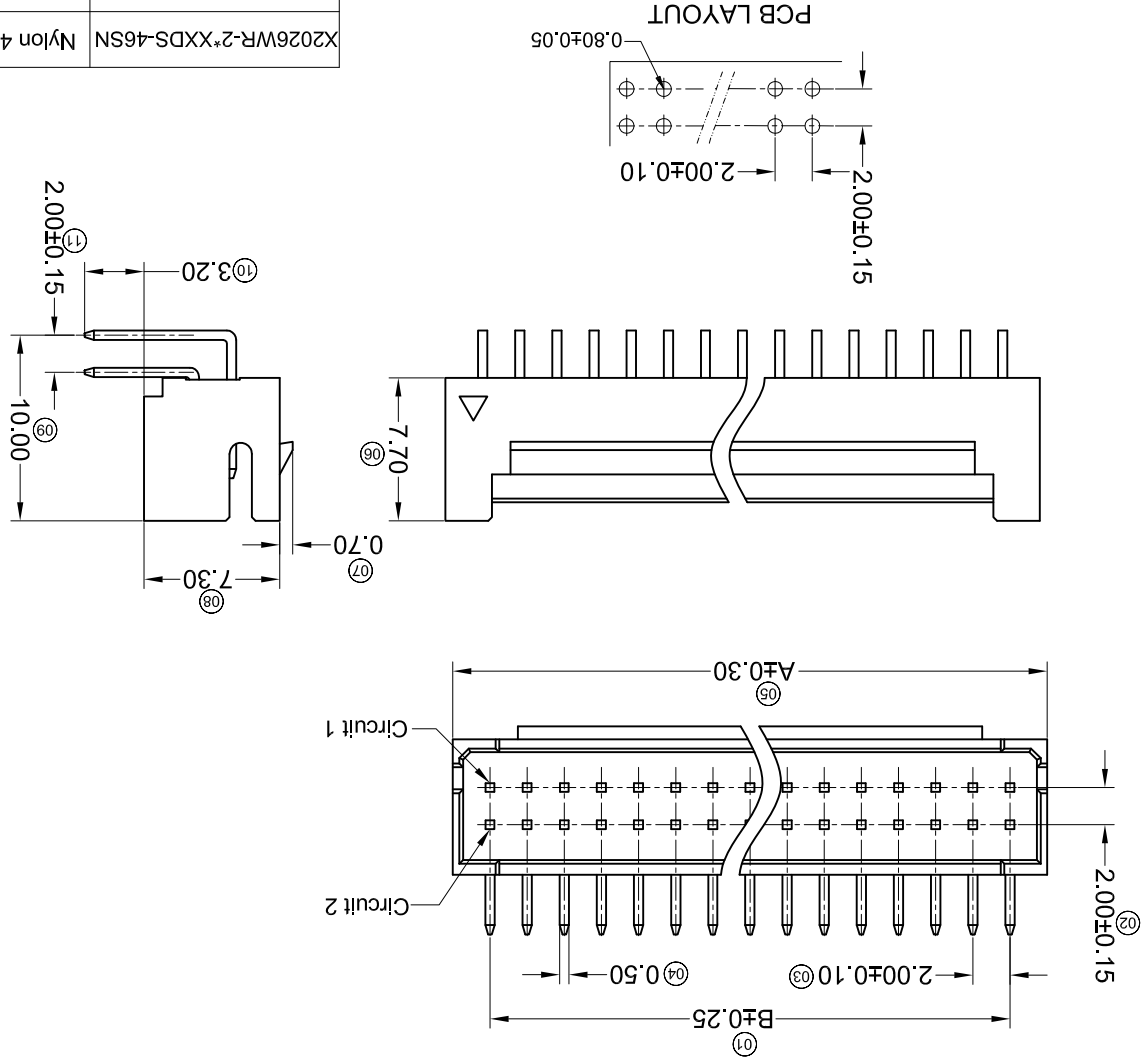
XKB INDUSTRIAL PRECISION CO., LIMITED
 X2026WR-2*XXDS-XXSN
 MODEL TYPE: X2026WR-2*XXDS-XXSN
 PART NO.:
 2.00 mm Crimp Style Connector
 DWG NO.:
 SIZE: A4
 UNIT: mm
 VIEW:

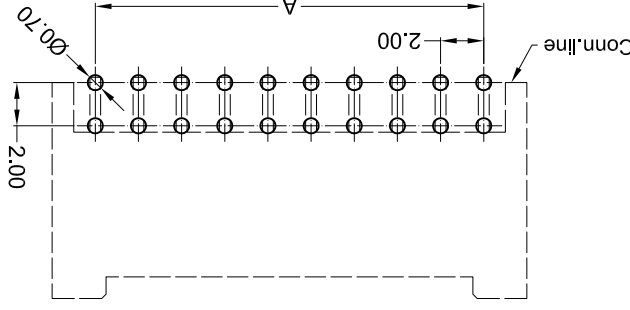
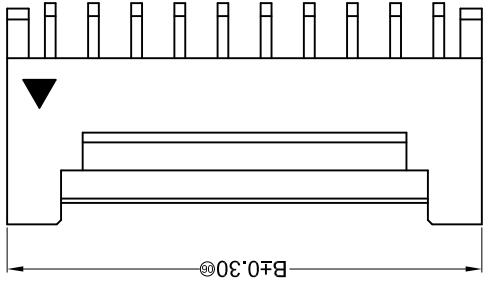
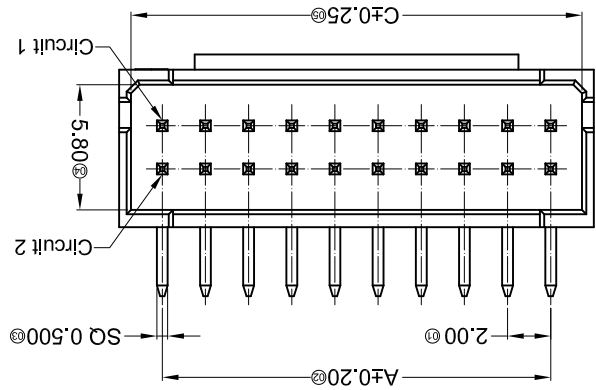
PART NO	Material	Material(Pin)	Finish(Pin)	Suitable XKB Terminal	Q'ty/Bag
X2026WR-2*XXDS-46SN	Nylon 46 UL 94V-0	Brass	Tin-Plated	X2026H-D	1,000Pcs

Poles	08	10	12	14	16	18	20	22	24	26	28	30	32	34	36	38	40	60
Dimensions (mm)	10.00	12.00	14.00	16.00	18.00	20.00	22.00	24.00	26.00	28.00	30.00	32.00	34.00	36.00	38.00	40.00	42.00	62.00
A	6.00	8.00	10.00	12.00	14.00	16.00	18.00	20.00	22.00	24.00	26.00	28.00	30.00	32.00	34.00	36.00	38.00	58.00
B	6.00	8.00	10.00	12.00	14.00	16.00	18.00	20.00	22.00	24.00	26.00	28.00	30.00	32.00	34.00	36.00	38.00	58.00

- ① Series No. X2026 WR X-2*XX DS -XX SN XX
- ② Category: W-WAFER
- ③ Welding Board Angle: V-180°; R-90°
- ④ Welding Way: Blank-DIP; S-SMT
- ⑤ Row No.-Pin No.: XX-Single Row; 2*XX-Double Row
- ⑥ Plug the Pin & Special No.:
- ⑦ Material: 46-PA46 94V-0
- ⑧ Plating Category: G**-Gold Plated Contact
- ⑨ V**-All Gold-Plated
- ⑩ 01-Gold Flash 02-2u" 03-3u"
- ⑪ 05-5u" 10-10u" 15-15u"
- ⑫ SN-Bright Tin Plating (70-120u")
- ⑬ SN1-Bright Tin Plating (120u" Min).
- ⑭ 0-No Plating Material
- ⑮ SW-Fog Tin Plating
- ⑯ HS-Hight temperature Tin
- ⑰ Color: Blank-Natural Color

- Specifications:
- Voltage rating: 250V AC / DC
 - Current rating: 3A AC / DC
 - Withstanding voltage: 1000V AC/minute
 - Temperature range: -25°C~+85°C
 - Insulation resistance: ≥1000MΩ
 - Contact resistance: ≤30mΩ
 - After environmental testing: ≤50mΩ



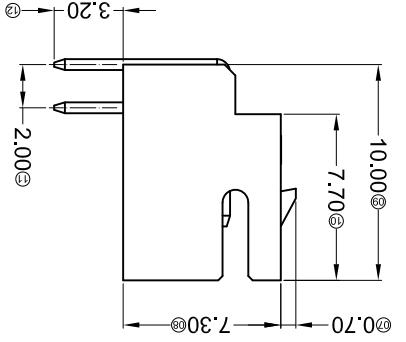
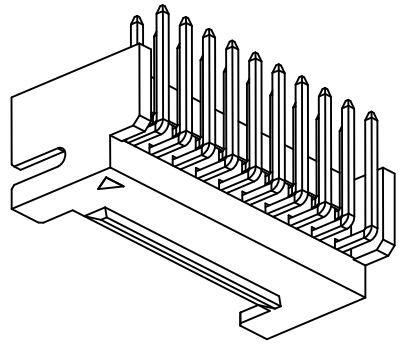


Recommended P.C.B Layout
General Tolerance±0.05

For and on behalf of
XKB INDUSTRIAL PRECISION CO., LIMITED
香港星坤工業精密有限公司

REVISIONS
Authorized Signature(s)

MARK	DESCRIPTION	DATE	REVISED	APPROVED	UNSPECIFIED TOLERANCES
△ X					L > 63 ±0.5
△ X					16 > L ≤ 63 ±0.4
△ X					4 < L ≤ 16 ±0.3
△ X					L ≤ 4 ±0.2
					ANGULAR ±5°



Poles	Dimensions (mm)			Poles	Dimensions (mm)		
	A	B	C		A	B	C
2*02	2.00	6.00	4.90	2*09	16.00	20.00	18.90
2*03	4.00	8.00	6.90	2*10	18.00	22.00	20.90
2*04	6.00	10.00	8.90	2*11	20.00	24.00	22.90
2*05	8.00	12.00	10.90	2*12	22.00	26.00	24.90
2*06	10.00	14.00	12.90	2*13	24.00	28.00	26.90
2*07	12.00	16.00	14.90	2*14	26.00	30.00	28.90
2*08	14.00	18.00	16.90	2*15	28.00	32.00	30.90

PART NO	Material	Material(Pin)	Finish(Pin)	Suitable XKB Terminal
X2026WR-2*XXD-4TSN	PA4T 94V-0	Brass	Tin-Plated	2026H-D
X2026WR-2*XXD-46SN	PA46 94V-0	Brass	Tin-Plated	2026H-D

- Specifications :
- Voltage rating: 250V AC / DC
 - Current rating: 3A AC / DC
 - Withstanding voltage: 1000V AC/minute
 - Temperature range: -25°C~+85°C
 - Insulation resistance: ≥1000MΩ
 - Contact resistance: ≤30mΩ
 - After environmental testing: ≤50mΩ

X2026 W R X-2*XX D -46 SN XX
① ② ③ ④ ⑤ ⑥ ⑦ ⑧ ⑨

- Series No.
- Category: W-WAFER
- Welding Board Angle: R-Right Angle 90°
- Welding Way: Blank-DIP
- Row No.-Pin No.: 2*XX-2*04P~2*30P
- Plug the Pin & Special No.: D-With Lock in the middle
- Material: 46 -PA46 94V-0, 4T -PA4T 94V-0
- Plating Category: SN-Bright Tin Plating
- Color : Blank-Natural Color

DSND	DATE	SCALE: N/A	MODEL TYPE:
			X2026WR-2*XXD-XXSN
DWN	DATE	VIEW:	PART NO.:
			2.00mm Crimp Style Connectors
CHKD	DATE	UNIT: mm	DWG NO.:
APPD	DATE	SIZE: A4	REVISION
			WEIGHT 1.0g
			SHEET 1/1
			REVISION A0

XKB INDUSTRIAL PRECISION CO., LIMITED

For and on behalf of
XKB INDUSTRIAL PRECISION CO., LIMITED
 香港星坤工業精密有限公司
 Authorized Signatures(s)

MARK	DESCRIPTION	DATE	REVISED	APPROVED	UNSPECIFIED TOLERANCES
△ X					L > 63 ±0.5
△ X					16 < L ≤ 63 ±0.4
△ X					4 < L ≤ 16 ±0.3
△ X					L ≤ 4 ±0.2
					ANGULAR ±5°

REVISION	SHEET	WEIGHT	DATE	DATE	DATE	DATE	DATE
A0	1/1	1.0g					

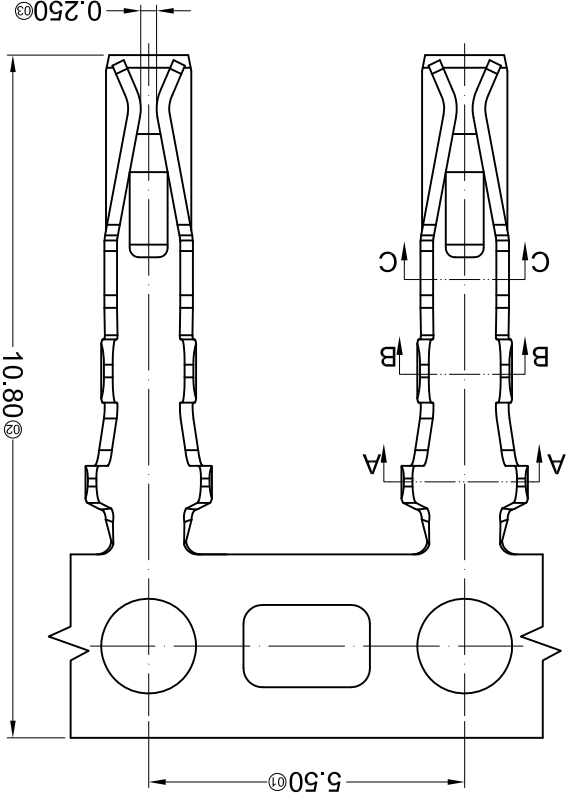
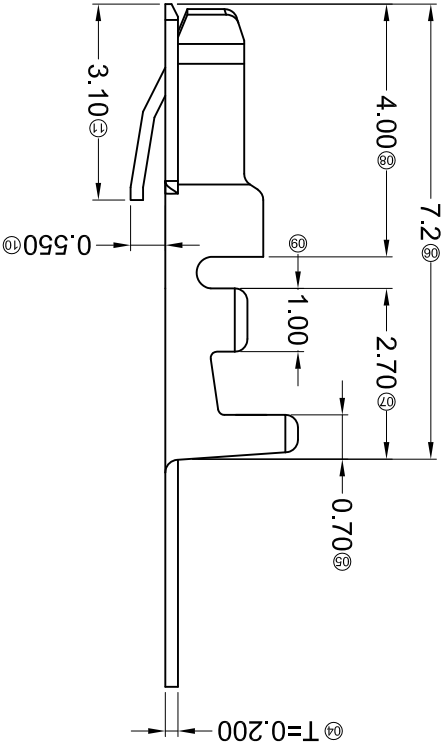
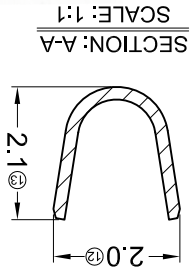
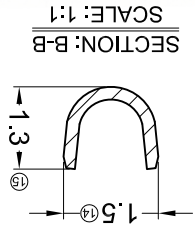
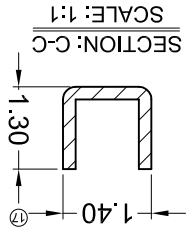
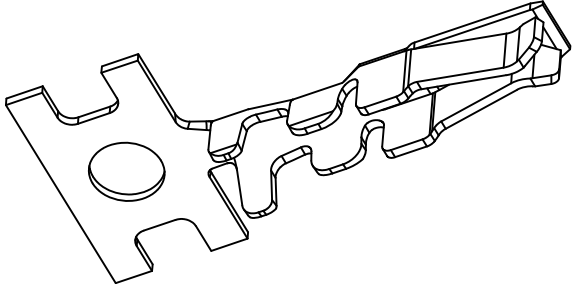
DSND	SCALE: N/A	DATE	VIEW:	UNIT: mm	SIZE: A4

DWN	DATE	PART NO.:	DWG NO.:
		X2026T-PXXX-D	

CHKD	DATE	MODEL TYPE:
		X2026T-PXXX-D

APPD	DATE	REVISION

PART NO	Material	Wire Range	Insulation O.D.	Finish	Suitable XKB
X2026T-PG03-D	Phosphor Bronze	AWG#22-28	1.60mm(Max)	Stamping Before plating:30u" MIN. Ni: 70u" Sn	X2026H-D
X2026T-PSN-D	Phosphor Bronze	AWG#22-28	1.60mm(Max)	Stamping Before plating:30u" MIN. Ni: 70u" Sn	X2026H-D



- Specifications :
- Voltage rating: 250V AC / DC
 - Current rating: 3A AC / DC
 - Withstanding voltage: 1000V AC/minute
 - Temperature range: -25°C~+85°C
 - Insulation resistance: ≥1000MΩ
 - Contact resistance: ≤30mΩ
 - After environmental testing: ≤50mΩ
- X2026 T X-P SN X - D
- Series Number
 - Category: T-terminal
 - Shape: Blank-ordinary
 - Material: P-Phosphor bronze
 - Plating style:
 - SN-Bright tin plating ; G03-Contact Gold Plating 3u"
 - Plating method : Blank-Stamping before plating
 - Mold No./Mark/Special No.:
 - D-Mating 2026H-2*08D Series Following Housing

For and on behalf of
XKB INDUSTRIAL PRECISION CO., LIMITED
 香港星坤工業精密有限公司

MARK	DESCRIPTION	DATE	REVISED	APPROVED	UNSPECIFIED TOLERANCES
△ X					L > 63 ± 0.5
△ X					16 > L ≤ 63 ± 0.4
△ X					4 < L ≤ 16 ± 0.3
					L ≤ 4 ± 0.2
					ANGULAR ± 5°

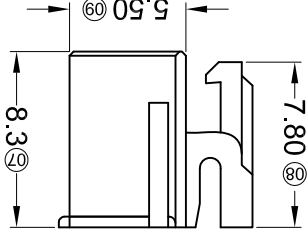
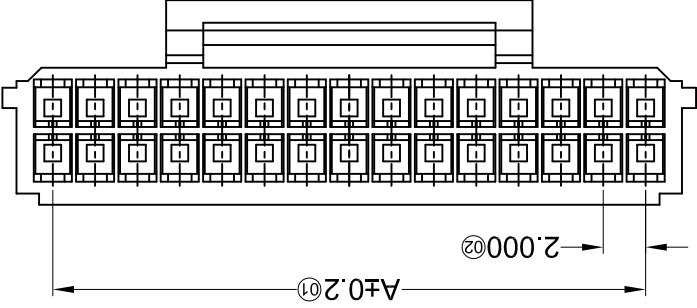
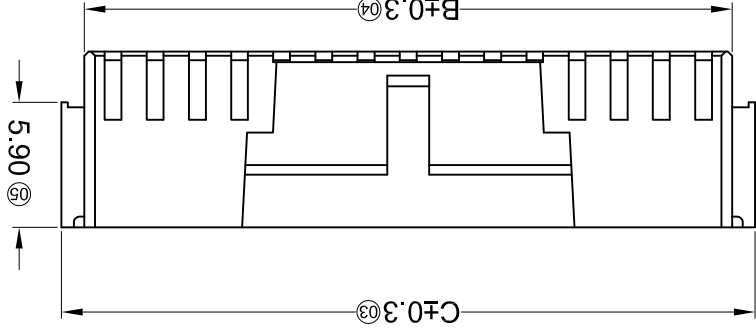
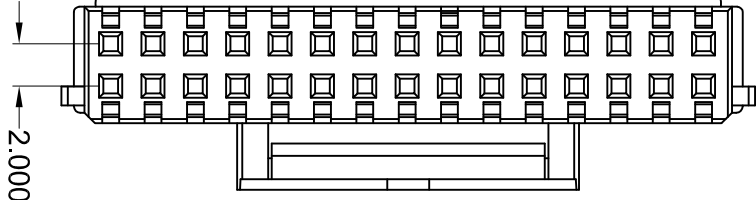
REVISIONS	REVISION		WEIGHT	SHEET	REVISION
	1.0g	1/1			A0

DATE	SCALE: N/A	MODEL TYPE:
		X2026H-2*XXD-N0

DATE	VIEW:	PART NO.:
		2.00mm Crimp Style Connectors

DATE	UNIT: mm	DWG NO.:

DATE	SIZE: A4	REVISION



Poles	Dimensions (mm)		
	A	B	C
2*02	2.00	4.60	2*12
2*03	4.00	6.60	2*13
2*04	6.00	8.60	2*14
2*05	8.00	10.60	2*15
2*06	10.00	12.60	2*16
2*07	12.00	14.60	2*17
2*08	14.00	16.60	2*18
2*09	16.00	18.60	2*19
2*10	18.00	20.60	2*20
2*11	20.00	22.60	2*21

PART NO	Material	Suitable XKB Terminal	
		Suitable XKB Terminal	Suitable XKB Terminal
X2026H-2*XXD-N0	Nylon 66 UL 94V-0	X2026T-D	X2026W-D

- ① Series No.
 ② Category: H-HSG
 ③ Appearance type: Blank-Ordinary
 ④ Row No.-Pin No.: 2*XX-2*02P~2*22P
 ⑤ Plug the Pin & special No.
 ⑥ Material: N0-PA66 94V-0
 ⑦ Color: Blank-Natural Color

- Specifications :
- Voltage rating: 250V AC / DC
 - Current rating: 3A AC / DC
 - Withstanding voltage: 1000V AC/minute
 - Temperature range: -25°C~+85°C
 - Insulation resistance: ≥100MΩ
 - Contact resistance: ≤30mΩ
 - After environmental testing: ≤50mΩ

X2026 H X-2*XX D-N0 XX
 ① ② ③ ④ ⑤ ⑥ ⑦

X-ON Electronics

Largest Supplier of Electrical and Electronic Components

Click to view similar products for [Headers & Wire Housings](#) category:

Click to view products by [XKB](#) manufacturer:

Other Similar products are found below :

[95000-104TRLF](#) [10135584-644402LF](#) [DF62W-EP2022PCA](#) [95000-106TRLF](#) [DF62W-2022SCA](#) [DF62W-EP2022PC](#) [2203348](#) [DF62W-2022SC](#) [1084018](#) [1029039](#) [1084017](#) [802-10-012-10-002000](#) [1112640](#) [1112639](#) [891-007-9SS-BST1T](#) [000-34000](#) [0008550134](#) [0009482033](#) [0009507031](#) [57102-F02-18ULF](#) [57102-S06-03LF](#) [57202-S52-04LF](#) [PCN6-15S-2.5E](#) [0039019024](#) [58102-G61-06LF](#) [582553-1](#) [0009485154](#) [0009508121](#) [0022285053](#) [0050291907](#) [018731A](#) [LY20-4P-DT1-P1E-BR](#) [02.125.8002.8](#) [60101931](#) [60598-1 \(Cut Strip\)](#) [M1625-3R/100](#) [61062-3](#) [61082-181009](#) [CSU011177004](#) [636-1427](#) [638009-1](#) [641938-9](#) [641991-4](#) [644168-1](#) [644827-2](#) [647662-1](#) [65039-019ELF](#) [65692-001LF](#) [65781-018](#) [65781-047](#)