

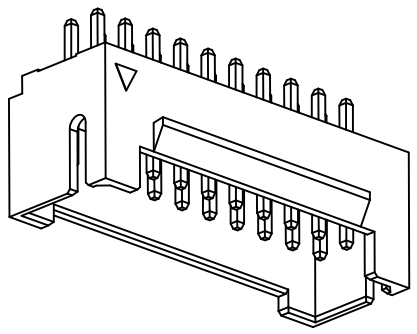
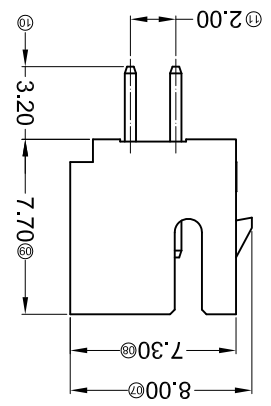
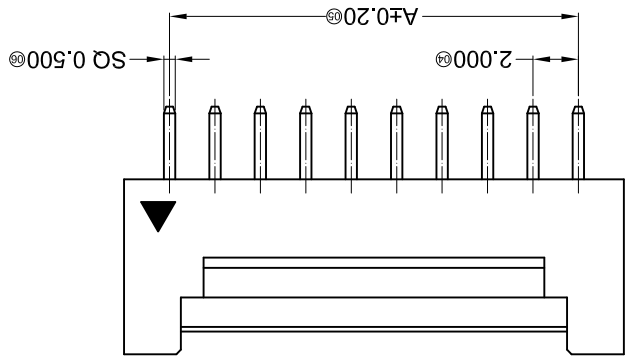
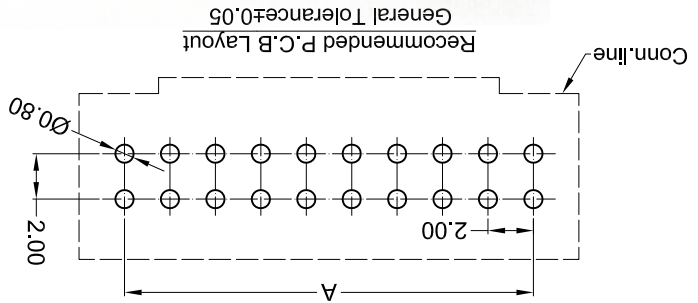


| REVISIONS |             | UNSPECIFIED TOLERANCES |          |
|-----------|-------------|------------------------|----------|
| MARK      | DESCRIPTION | APPROVED               | REVISIED |
| △ X       |             | L > 63                 | ± 0.5    |
| △ X       |             | 16 < L ≤ 63            | ± 0.4    |
| △ X       |             | 4 < L ≤ 16             | ± 0.3    |
| △ X       |             | L ≤ 4                  | ± 0.2    |
|           |             | ANGULAR                | ± 5°     |

For and on behalf of  
**XKB INDUSTRIAL PRECISION CO., LIMITED**  
 香港星坤工業精密有限公司

| REVISION |             | XKB INDUSTRIAL PRECISION CO., LIMITED |      |
|----------|-------------|---------------------------------------|------|
| DATE     | DESCRIPTION | DATE                                  | APPD |
|          |             |                                       |      |
|          |             |                                       |      |
|          |             |                                       |      |
|          |             |                                       |      |

|             |                     |
|-------------|---------------------|
| WEIGHT      | 1.0g                |
| SHEET       | 1/1                 |
| REVISION    | A0                  |
| SIZE:       | A4                  |
| UNIT:       | mm                  |
| VIEW:       |                     |
| SCALE:      | N/A                 |
| MODEL TYPE: | X2026WV-2*XXD-XXXXX |
| PART NO.:   | X2026WV-2*XXD-XXXXX |
| DWG NO.:    |                     |



| Poles | Dimensions (mm) | Poles | Dimensions (mm) | Poles | Dimensions (mm) |
|-------|-----------------|-------|-----------------|-------|-----------------|
| A     | 2.02            | A     | 2.02            | A     | 2.02            |
| B     | 2.03            | B     | 2.03            | B     | 2.03            |
| C     | 2.04            | C     | 2.04            | C     | 2.04            |
|       | 2.05            |       | 2.05            |       | 2.05            |
|       | 2.06            |       | 2.06            |       | 2.06            |
|       | 2.07            |       | 2.07            |       | 2.07            |
|       | 2.08            |       | 2.08            |       | 2.08            |

| PART NO             | Material   | Material(Fin) | Finish(Fin)     | Suitable XKB Terminal |
|---------------------|------------|---------------|-----------------|-----------------------|
| X2026WV-2*XXD-4TSN  | PA4T 94V-0 | Brass         | Tin-Plated      | X2026H-D              |
| X2026WV-2*XXD-9TV03 | PA9T 94V-0 | Brass         | Gold-Plated 3u" | X2026H-D              |
| X2026WV-2*XXD-6SN   | PA46 94V-0 | Brass         | Tin-Plated      | X2026H-D              |

- Specifications :**
- Voltage rating: 250V AC / DC
  - Current rating: 3A AC / DC
  - Withstanding voltage: 1000V AC/minute
  - Temperature range: -25°C~+85°C
  - Insulation resistance: ≥1000MΩ
  - Contact resistance: ≤30mΩ
  - After environmental testing: ≤50mΩ
- ① Series No.  
 ② Category: W-WAFER  
 ③ Welding Board Angle: V-Straight 180°  
 ④ Welding Way: Blank-DIP  
 ⑤ Row No.-Pin No.: 2\*XX-2\*04P~2\*30P  
 ⑥ Plug the Pin & Special No.: D-With Lock in the middle  
 ⑦ Material: 46 -PA46 94V-0, 9T-PA9T 94V-0,  
 4T-PA4T 94V-0  
 ⑧ Plating Category:  
 SN-Bright Tin Plating, V03-All Gold-Plated 3u"  
 ⑨ Color : Blank-Natural Color

X2026 W V X-2\*XX D -XX XX XX

Grid coordinates: 1-8 (horizontal), A-F (vertical)

For and on behalf of  
**XKB INDUSTRIAL PRECISION CO., LIMITED**  
 香港星坤工業精密有限公司  
 REVISIONS (Authorized Signatures)

| MARK | DESCRIPTION | DATE | REVISED | APPROVED | UNSPECIFIED TOLERANCES |
|------|-------------|------|---------|----------|------------------------|
| △ X  |             |      |         |          | L > 63<br>±0.5         |
| △ X  |             |      |         |          | 16 < L ≤ 63<br>±0.4    |
| △ X  |             |      |         |          | 4 < L ≤ 16<br>±0.3     |
| △ X  |             |      |         |          | L ≤ 4<br>±0.2          |
|      |             |      |         |          | ANGULAR<br>±5°         |

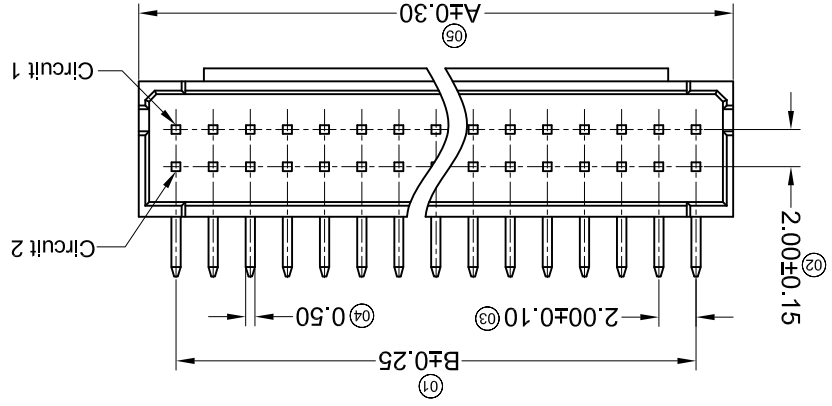
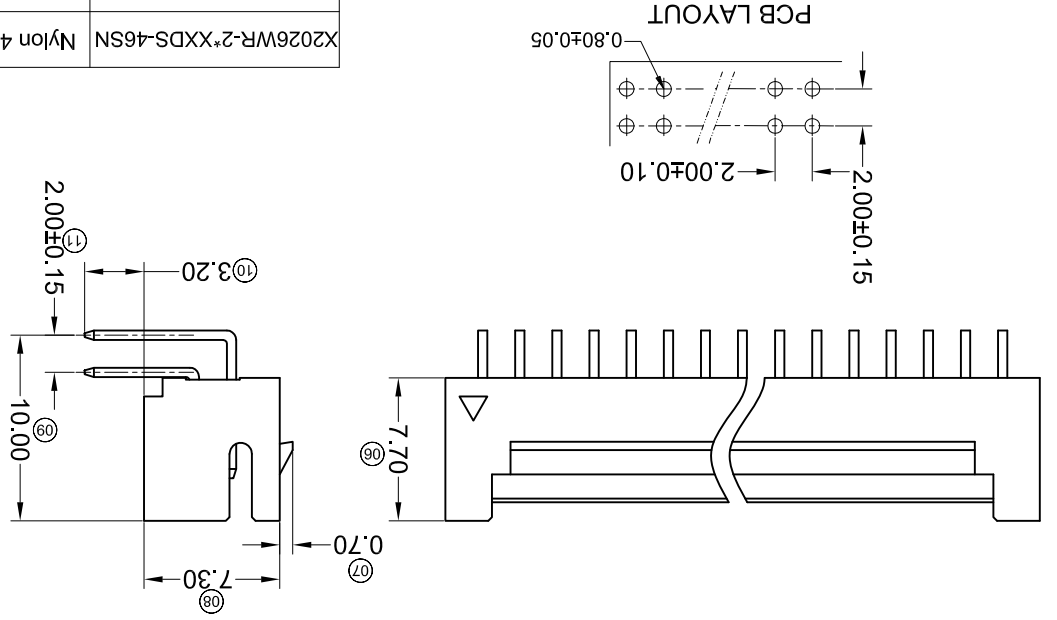
| REVISION | SHEET | WEIGHT | SIZE: A4 |
|----------|-------|--------|----------|
| A0       | 1/1   | 1.0g   |          |

| DSND | DATE                                     | SCALE: N/A | MODEL TYPE: X2026WR-2*XXDS-XXSN |
|------|--|------------|---------------------------------|
| DWN  | DATE <td>VIEW: </td> <td>PART NO.:</td>  | VIEW:      | PART NO.:                       |
| CHKD | DATE <td>UNIT: mm</td> <td>DWG NO.:</td> | UNIT: mm   | DWG NO.:                        |
| APPD | DATE <td>SIZE: A4</td> <td></td>         | SIZE: A4   |                                 |

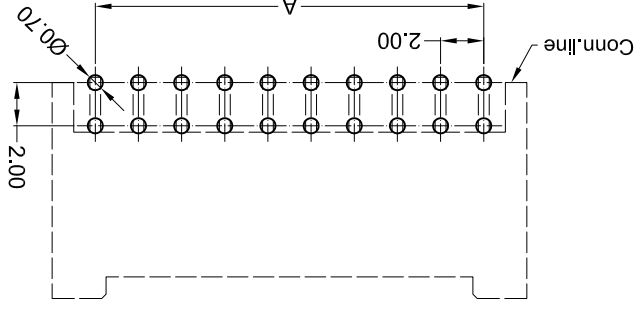
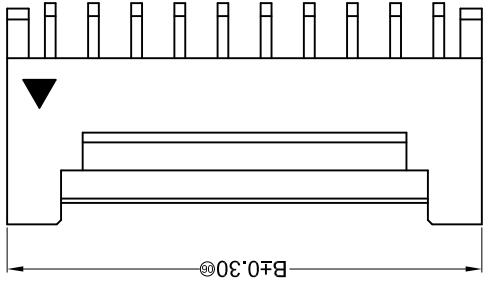
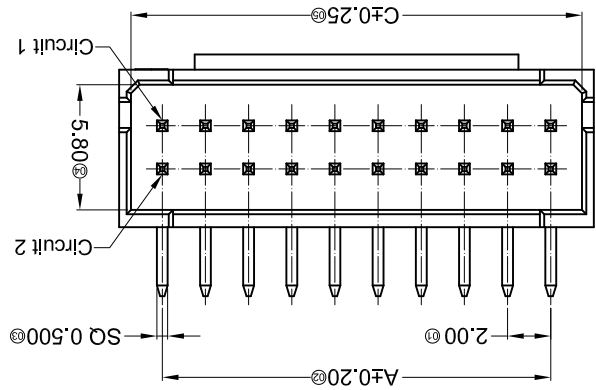
| PART NO             | Material          | Material(Pin) | Finish(Pin) | Suitable XKB Terminal | Q'ty/Bag |
|---------------------|-------------------|---------------|-------------|-----------------------|----------|
| X2026WR-2*XXDS-46SN | Nylon 46 UL 94V-0 | Brass         | Tin-Plated  | X2026H-D              | 1,000Pcs |

| Poles | A     | B     |
|-------|-------|-------|
| 08    | 10.00 | 6.00  |
| 10    | 12.00 | 8.00  |
| 12    | 14.00 | 10.00 |
| 14    | 16.00 | 12.00 |
| 16    | 18.00 | 14.00 |
| 18    | 20.00 | 16.00 |
| 20    | 22.00 | 18.00 |
| 22    | 24.00 | 20.00 |
| 24    | 26.00 | 22.00 |
| 26    | 28.00 | 24.00 |
| 28    | 30.00 | 26.00 |
| 30    | 32.00 | 28.00 |
| 32    | 34.00 | 30.00 |
| 34    | 36.00 | 32.00 |
| 36    | 38.00 | 34.00 |
| 38    | 40.00 | 36.00 |
| 40    | 42.00 | 38.00 |
| 60    | 62.00 | 58.00 |

- ① Series No. X2026 WR X-2\*XX DS -XX SN XX  
 ② Category: W-WAFER  
 ③ Welding Board Angle: V-180°; R-90°  
 ④ Welding Way: Blank-DIP; S-SMT  
 ⑤ Row No.-Pin No.: XX-Single Row; 2\*XX-Double Row  
 ⑥ Plug the Pin & Special No.:  
 DS-With Lock in the middle and Without Positioning plate  
 ⑦ Material: 46-PA46 94V-0  
 ⑧ Plating Category: G\*\*-Gold Plated Contact  
 V\*\*- All Gold-Plated  
 01-Gold Flash 02-2u" 03-3u"  
 05-5u" 10-10u" 15-15u"  
 SN-Bright Tin Plating (70-120u")  
 SN1-Bright Tin Plating (120u" Min).  
 0-No Plating Material  
 SW-Fog Tin Plating  
 HS-Hight temperature Tin  
 ⑨ Color: Blank-Natural Color



- Specifications:
- Voltage rating: 250V AC / DC
  - Current rating: 3A AC / DC
  - Withstanding voltage: 1000V AC/minute
  - Temperature range: -25°C~+85°C
  - Insulation resistance: ≥1000MΩ
  - Contact resistance: ≤30mΩ
  - After environmental testing: ≤50mΩ

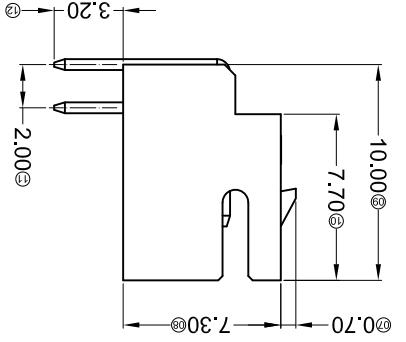
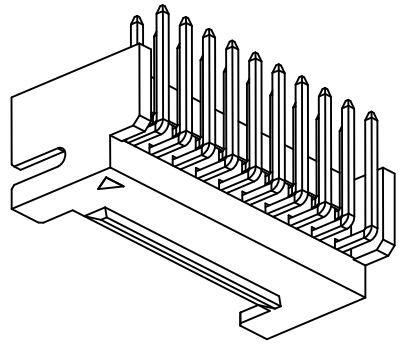


Recommended P.C.B Layout  
General Tolerance±0.05

For and on behalf of  
**XKB INDUSTRIAL PRECISION CO., LIMITED**  
香港星坤工業精密有限公司

REVISIONS  
*Authorized Signature(s)*

| MARK | DESCRIPTION | DATE | REVISED | APPROVED | UNSPECIFIED TOLERANCES |
|------|-------------|------|---------|----------|------------------------|
| △X   |             |      |         |          | L > 63<br>±0.5         |
| △X   |             |      |         |          | 16 > L ≤ 63<br>±0.4    |
| △X   |             |      |         |          | 4 < L ≤ 16<br>±0.3     |
| △X   |             |      |         |          | L ≤ 4<br>±0.2          |
|      |             |      |         |          | ANGULAR<br>±5°         |



| Poles | Dimensions (mm) |       |       | Poles | Dimensions (mm) |       |       |
|-------|-----------------|-------|-------|-------|-----------------|-------|-------|
|       | A               | B     | C     |       | A               | B     | C     |
| 2*02  | 2.00            | 6.00  | 4.90  | 2*09  | 16.00           | 20.00 | 18.90 |
| 2*03  | 4.00            | 8.00  | 6.90  | 2*10  | 18.00           | 22.00 | 20.90 |
| 2*04  | 6.00            | 10.00 | 8.90  | 2*11  | 20.00           | 24.00 | 22.90 |
| 2*05  | 8.00            | 12.00 | 10.90 | 2*12  | 22.00           | 26.00 | 24.90 |
| 2*06  | 10.00           | 14.00 | 12.90 | 2*13  | 24.00           | 28.00 | 26.90 |
| 2*07  | 12.00           | 16.00 | 14.90 | 2*14  | 26.00           | 30.00 | 28.90 |
| 2*08  | 14.00           | 18.00 | 16.90 | 2*15  | 28.00           | 32.00 | 30.90 |

| PART NO            | Material   | Material(Pin) | Finish(Pin) | Suitable XKB Terminal |
|--------------------|------------|---------------|-------------|-----------------------|
| X2026WR-2*XXD-4TSN | PA4T 94V-0 | Brass         | Tin-Plated  | 2026H-D               |
| X2026WR-2*XXD-46SN | PA46 94V-0 | Brass         | Tin-Plated  | 2026H-D               |

- Specifications :
- Voltage rating: 250V AC / DC
  - Current rating: 3A AC / DC
  - Withstanding voltage: 1000V AC/minute
  - Temperature range: -25°C~+85°C
  - Insulation resistance: ≥1000MΩ
  - Contact resistance: ≤30mΩ
  - After environmental testing: ≤50mΩ

X2026 W R X-2\*XX D -46 SN XX  
① ② ③ ④ ⑤ ⑥ ⑦ ⑧ ⑨

- Series No.
- Category: W-WAFER
- Welding Board Angle: R-Right Angle 90°
- Welding Way: Blank-DIP
- Row No.-Pin No.: 2\*XX-2\*04P~2\*30P
- Plug the Pin & Special No.: D-With Lock in the middle
- Material: 46 -PA46 94V-0, 4T -PA4T 94V-0
- Plating Category: SN-Bright Tin Plating
- Color : Blank-Natural Color

| DSND | DATE | SCALE: N/A | MODEL TYPE:                   |
|------|------|------------|-------------------------------|
|      |      |            | X2026WR-2*XXD-XXSN            |
| DWN  | DATE | VIEW:      | PART NO.:                     |
|      |      |            | 2.00mm Crimp Style Connectors |
| CHKD | DATE | UNIT: mm   | DWG NO.:                      |
|      |      |            |                               |
| APPD | DATE | SIZE: A4   | REVISION                      |
|      |      |            | 1/1                           |
|      |      |            | WEIGHT                        |
|      |      |            | 1.0g                          |
|      |      |            | REVISION                      |
|      |      |            | A0                            |

**XKB INDUSTRIAL PRECISION CO., LIMITED**

For and on behalf of  
**XKB INDUSTRIAL PRECISION CO., LIMITED**  
 香港星坤工業精密有限公司

Revisions  
 Authorized Signature(s)

| MARK | DESCRIPTION | DATE | REVISED | APPROVED | UNSPECIFIED TOLERANCES |
|------|-------------|------|---------|----------|------------------------|
| △ X  |             |      |         |          | L > 63 ±0.5            |
| △ X  |             |      |         |          | 16 < L ≤ 63 ±0.4       |
| △ X  |             |      |         |          | 4 < L ≤ 16 ±0.3        |
| △ X  |             |      |         |          | L ≤ 4 ±0.2             |
|      |             |      |         |          | ANGULAR ±5°            |

| REVISION | SHEET | WEIGHT | DATE | DATE | DATE | DATE | DATE |
|----------|-------|--------|------|------|------|------|------|
| A0       | 1/1   | 1.0g   |      |      |      |      |      |

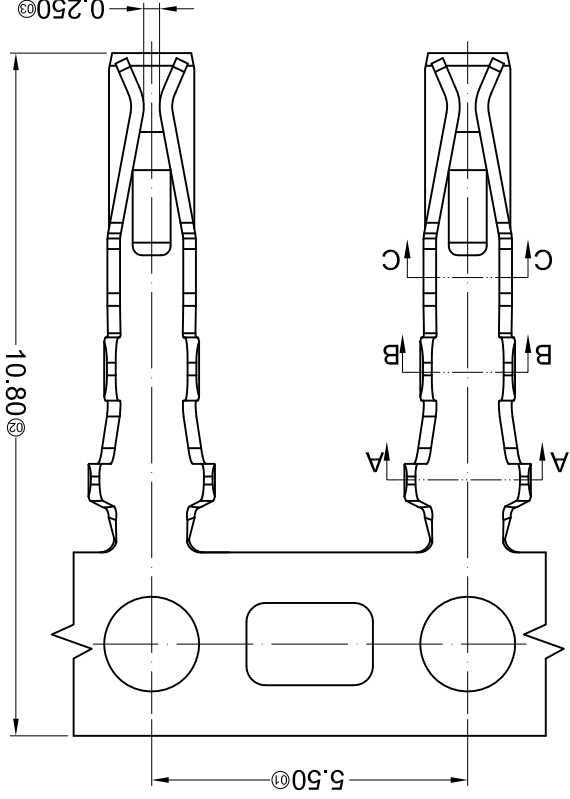
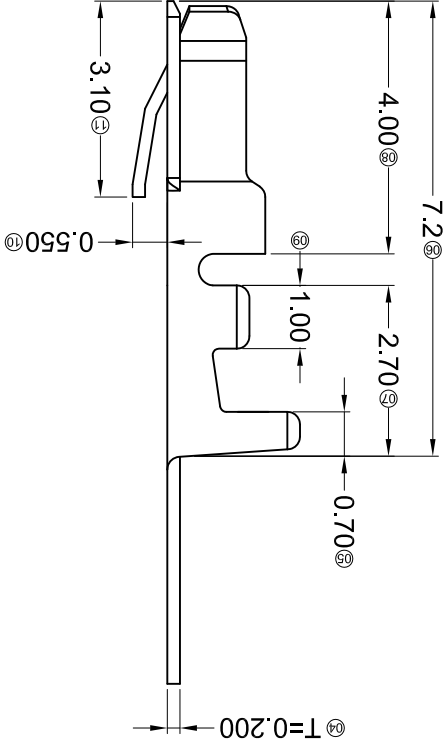
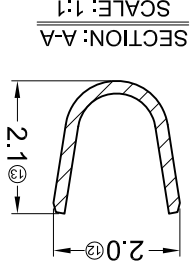
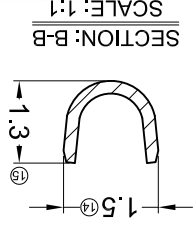
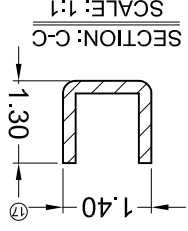
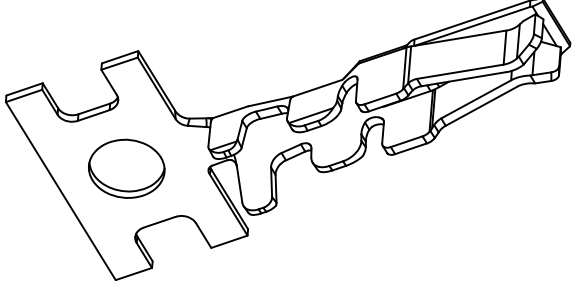
| DSND | SCALE: N/A | DATE | VIEW: | UNIT: mm | SIZE: A4 |
|------|------------|------|-------|----------|----------|
|      |            |      |       |          |          |

| DWN | DATE | PART NO.:     | DWG NO.: |
|-----|------|---------------|----------|
|     |      | X2026T-PXXX-D |          |

| CHKD | DATE | MODEL TYPE:   |
|------|------|---------------|
|      |      | X2026T-PXXX-D |

| APPD | DATE | REVISION |
|------|------|----------|
|      |      |          |

| PART NO       | Material        | Wire Range | Insulation O.D. | Finish  | Suitable XKB |
|---------------|-----------------|------------|-----------------|---|--------------|
| X2026T-PG03-D | Phosphor Bronze | AWG#22-28  | 1.60mm(Max)     | Stamping Before plating:30u" MIN. Ni: 70u" Sn | X2026H-D     |
| X2026T-PSN-D  | Phosphor Bronze | AWG#22-28  | 1.60mm(Max)     | Stamping Before plating:30u" MIN. Ni: 70u" Sn | X2026H-D     |



- Specifications :
- Voltage rating: 250V AC / DC
  - Current rating: 3A AC / DC
  - Withstanding voltage: 1000V AC/minute
  - Temperature range: -25°C~+85°C
  - Insulation resistance: ≥1000MΩ
  - Contact resistance: ≤30mΩ
  - After environmental testing: ≤50mΩ
- X2026 T X-P SN X - D
- Series Number
  - Category: T-terminal
  - Shape: Blank-ordinary
  - Material: P-Phosphor bronze
  - Plating style:
  - SN-Bright tin plating ; G03-Contact Gold Plating 3u"
  - Plating method : Blank-Stamping before plating
  - Mold No./Mark/Special No.:
  - D-Mating 2026H-2\*08D Series Following Housing



## X-ON Electronics

Largest Supplier of Electrical and Electronic Components

*Click to view similar products for [Headers & Wire Housings](#) category:*

*Click to view products by [XKB](#) manufacturer:*

Other Similar products are found below :

[95000-104TRLF](#) [10135584-644402LF](#) [DF62W-EP2022PCA](#) [95000-106TRLF](#) [DF62W-2022SCA](#) [DF62W-EP2022PC](#) [2203348](#) [DF62W-2022SC](#) [1084018](#) [1029039](#) [1084017](#) [802-10-012-10-002000](#) [1112640](#) [1112639](#) [891-007-9SS-BST1T](#) [000-34000](#) [0008550134](#) [0009482033](#) [0009507031](#) [57102-F02-18ULF](#) [57102-S06-03LF](#) [57202-S52-04LF](#) [PCN6-15S-2.5E](#) [0039019024](#) [58102-G61-06LF](#) [582553-1](#) [0009485154](#) [0009508121](#) [0022285053](#) [0050291907](#) [018731A](#) [LY20-4P-DT1-P1E-BR](#) [02.125.8002.8](#) [60101931](#) [60598-1 \(Cut Strip\)](#) [M1625-3R/100](#) [61062-3](#) [61082-181009](#) [CSU011177004](#) [636-1427](#) [638009-1](#) [641938-9](#) [641991-4](#) [644168-1](#) [644827-2](#) [647662-1](#) [65039-019ELF](#) [65692-001LF](#) [65781-018](#) [65781-047](#)