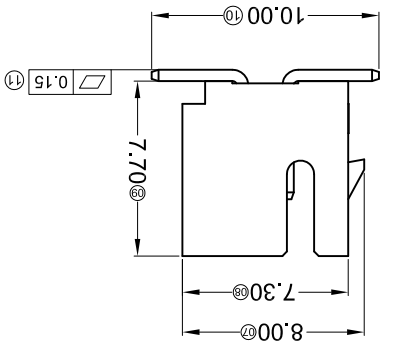
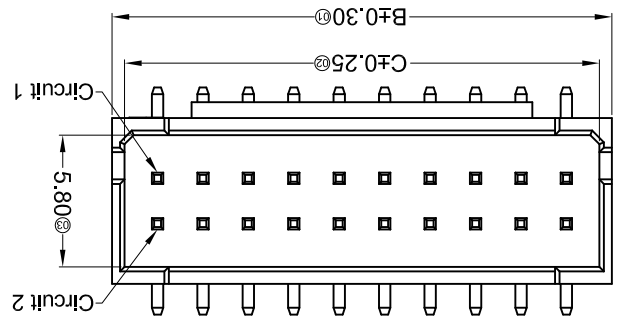
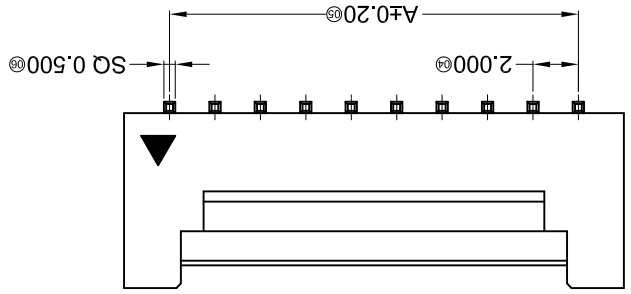
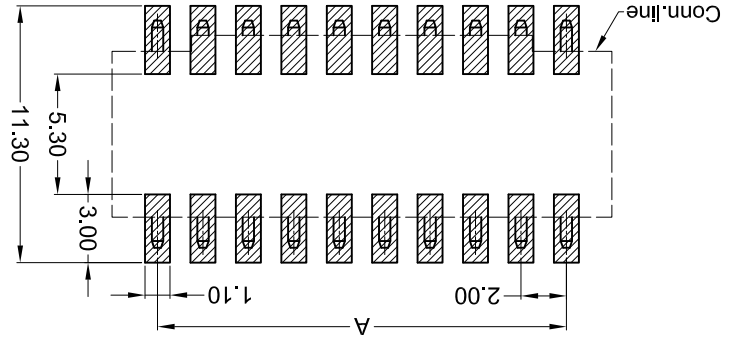


For and on behalf of  
**XKB INDUSTRIAL PRECISION CO., LIMITED**  
 香港星坤工業精密有限公司

MARK	DESCRIPTION	DATE	REVISED	APPROVED	UNSPECIFIED TOLERANCES
△ X					L > 63
△ X					16 < L ≤ 63
△ X					4 < L ≤ 16
△ X					L ≤ 4
					ANGULAR
					±5°

General Tolerance ±0.05  
 Recommended P.C.B Layout



PART NO	Material	Material(Fin)	Finish(Fin)	Suitable XKB Terminal
X2026WV-S-2*XXD-9TSN	PA9T 94V-0	Brass	Tin-Plated	X2026H-D

Poles	Dimensions (mm)		
	A	B	C
2*02	2.00	6.00	4.90
2*03	4.00	8.00	6.90
2*04	6.00	10.00	8.90
2*05	8.00	12.00	10.90
2*06	10.00	14.00	12.90
2*07	12.00	16.00	14.90
2*08	14.00	18.00	16.90
Poles			
Dimensions (mm)			
A B C			
2*09 16.00 20.00 18.90			
2*10 18.00 22.00 20.90			
2*11 20.00 22.90 22.90			
2*12 22.00 26.00 24.90			
2*13 24.00 28.00 26.90			
2*14 26.00 30.00 28.90			
2*15 28.00 32.00 30.90			
Poles			
Dimensions (mm)			
A B C			
2*16 30.00 34.00 32.90			
2*17 32.00 36.00 34.90			
2*18 34.00 38.00 36.90			
2*19 36.00 40.00 38.90			
2*20 38.00 42.00 40.90			
2*21 40.00 44.00 42.90			
2*22 42.00 46.00 44.90			
2*23 44.00 48.00 46.90			
2*24 46.00 50.00 48.90			
2*25 48.00 52.00 50.90			
2*26 50.00 54.00 52.90			
2*27 52.00 56.00 54.90			
2*28 54.00 58.00 56.90			
2*29 56.00 60.00 58.90			
2*30 58.00 62.00 60.90			

- Specifications :
- Voltage rating: 250V AC / DC
  - Current rating: 3A AC / DC
  - Withstanding voltage: 1000V AC/minute
  - Temperature range: -25°C~+85°C
  - Insulation resistance: ≥1000MΩ
  - Contact resistance: ≤30mΩ
  - After environmental testing: ≤50mΩ

- Series No.
- Category: W-WAFER
- Welding Board Angle: V-Straight 180°
- Welding Way: S-SMT
- Row No.-Pin No.: 2\*XX-2\*02P-2\*30P
- Plug the Pin & Special No.: D-With Lock in the middle
- Material: 9T -PA9T 94V-0
- Plating Category: SN-Bright Tin Plating
- Color : Blank-Natural Color

X2026 W V S-2\*XX D -9T SN XX  
 ① ② ③ ④ ⑤ ⑥ ⑦ ⑧ ⑨

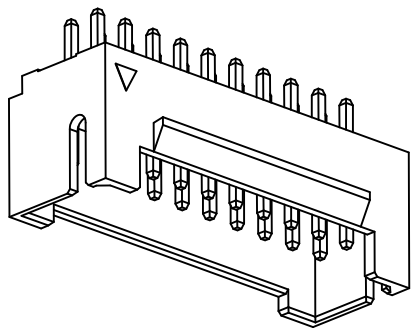
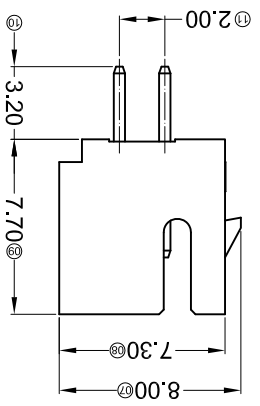
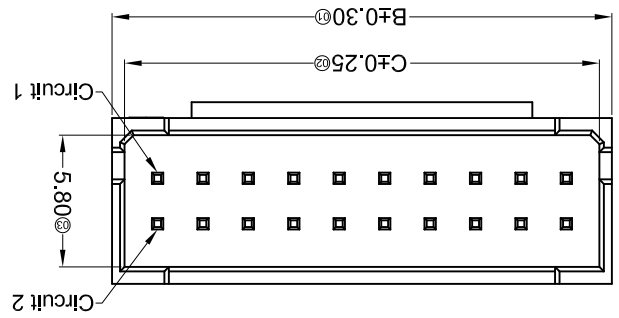
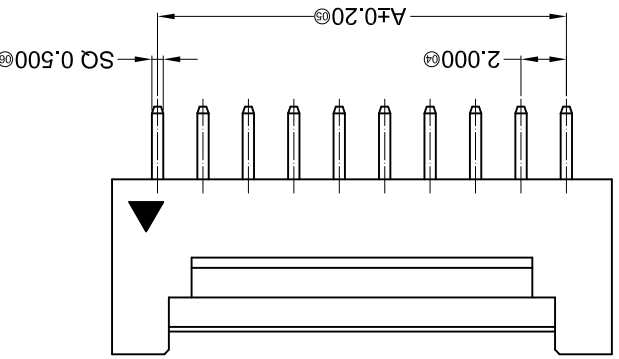
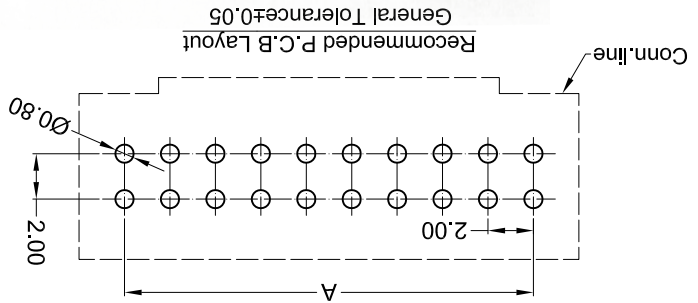
DSND	DATE	SCALE: N/A	MODEL TYPE: X2026WV-S-2*XXD-9TSN
DWN	DATE <td>VIEW: </td> <td>PART NO.:</td>	VIEW:	PART NO.:
CHKD	DATE <td>UNIT: mm</td> <td>DWG NO.:</td>	UNIT: mm	DWG NO.:
APPD	DATE <td>SIZE: A4</td> <td></td>	SIZE: A4	

REVISION	SHEET	WEIGHT
A0	1/1	1.0g

REVISIONS		UNSPECIFIED TOLERANCES	
MARK	DESCRIPTION	APPROVED	DATE
△ X			L > 63
△ X			16 < L ≤ 63
△ X			4 < L ≤ 16
△ X			L ≤ 4
			ANGULAR ±5°

For and on behalf of  
**XKB INDUSTRIAL PRECISION CO., LIMITED**  
 香港星坤工業精密有限公司

DATE	DATE	DATE	DATE
APPD	CHKD	DWN	DSND
SIZE: A4	UNIT: mm	VIEW:	SCALE: N/A
MODEL TYPE: X2026WV-2*XXD-XXXXX			
PART NO.: 2.00mm Crimp Style Connectors			
DWG NO.:			
WEIGHT	SHEET	REVISION	AO
1.0g	1/1		



Poles	Dimensions (mm)	Poles	Dimensions (mm)	Poles	Dimensions (mm)
A	2.02	A	2.00	A	2.00
B	2.03	B	2.09	B	2.16
C	2.04	C	2.04	C	2.17
	2.05		2.12		2.19
	2.06		2.10		2.18
	2.07		12.00		34.00
	2.08		14.00		36.00
			16.00		38.00
			18.00		40.00
			20.00		42.00
			22.00		44.00
			24.00		46.00
			26.00		48.00
			28.00		50.00
			30.00		52.00
			32.00		54.00
			34.00		56.00
			36.00		58.00
			38.00		60.00
			40.00		62.00
			42.00		64.00
			44.00		66.00
			46.00		68.00
			48.00		70.00
			50.00		72.00
			52.00		74.00
			54.00		76.00
			56.00		78.00
			58.00		80.00
			60.00		82.00
			62.00		84.00
			64.00		86.00
			66.00		88.00
			68.00		90.00
			70.00		92.00
			72.00		94.00
			74.00		96.00
			76.00		98.00
			78.00		100.00

- ① Series No. X2026 W V X-2\*XX D -XX XX XX
- ② Category: W-WAFER
- ③ Welding Board Angle: V-Straight 180°
- ④ Welding Way: Blank-DIP
- ⑤ Row No.-Pin No.: 2\*XX-2\*04P~2\*30P
- ⑥ Plug the Pin & Special No.: D-With Lock in the middle
- ⑦ Material: 46 -PA46 94V-0, 9T-PA9T 94V-0,
- ⑧ 4T-PA4T 94V-0
- ⑨ Plating Category: SN-Bright Tin Plating, V03-All Gold-Plated 3u"
- ⑩ Color: Blank-Natural Color

- Specifications:
- Voltage rating: 250V AC / DC
  - Current rating: 3A AC / DC
  - Withstanding voltage: 1000V AC/minute
  - Temperature range: -25°C~+85°C
  - Insulation resistance: ≥1000MΩ
  - Contact resistance: ≤30mΩ
  - After environmental testing: ≤50mΩ

PART NO	Material	Material(Fin)	Finish(Fin)	Suitable XKB Terminal
X2026WV-2*XXD-4TSN	PA4T 94V-0	Brass	Tin-Plated	X2026H-D
X2026WV-2*XXD-9TV03	PA9T 94V-0		Gold-Plated 3u"	X2026H-D
X2026WV-2*XXD-6SN	PA46 94V-0		Tin-Plated	X2026H-D

For and on behalf of  
**XKB INDUSTRIAL PRECISION CO., LIMITED**  
 香港星坤工業精密有限公司  
 REVISIONS  
 Authorized Signatures(s)

MARK	DESCRIPTION	DATE	REVISED	APPROVED	UNSPECIFIED TOLERANCES
△ X					L > 63 ± 0.5
△ X					16 > L ≤ 63 ± 0.4
△ X					4 < L ≤ 16 ± 0.3
△ X					L ≤ 4 ± 0.2
					ANGULAR ± 5°

REVISION	SHEET	WEIGHT	SCALE: N/A	DATE	DATE	DATE	DATE	DATE	DATE
A0	1/1	1.0g							

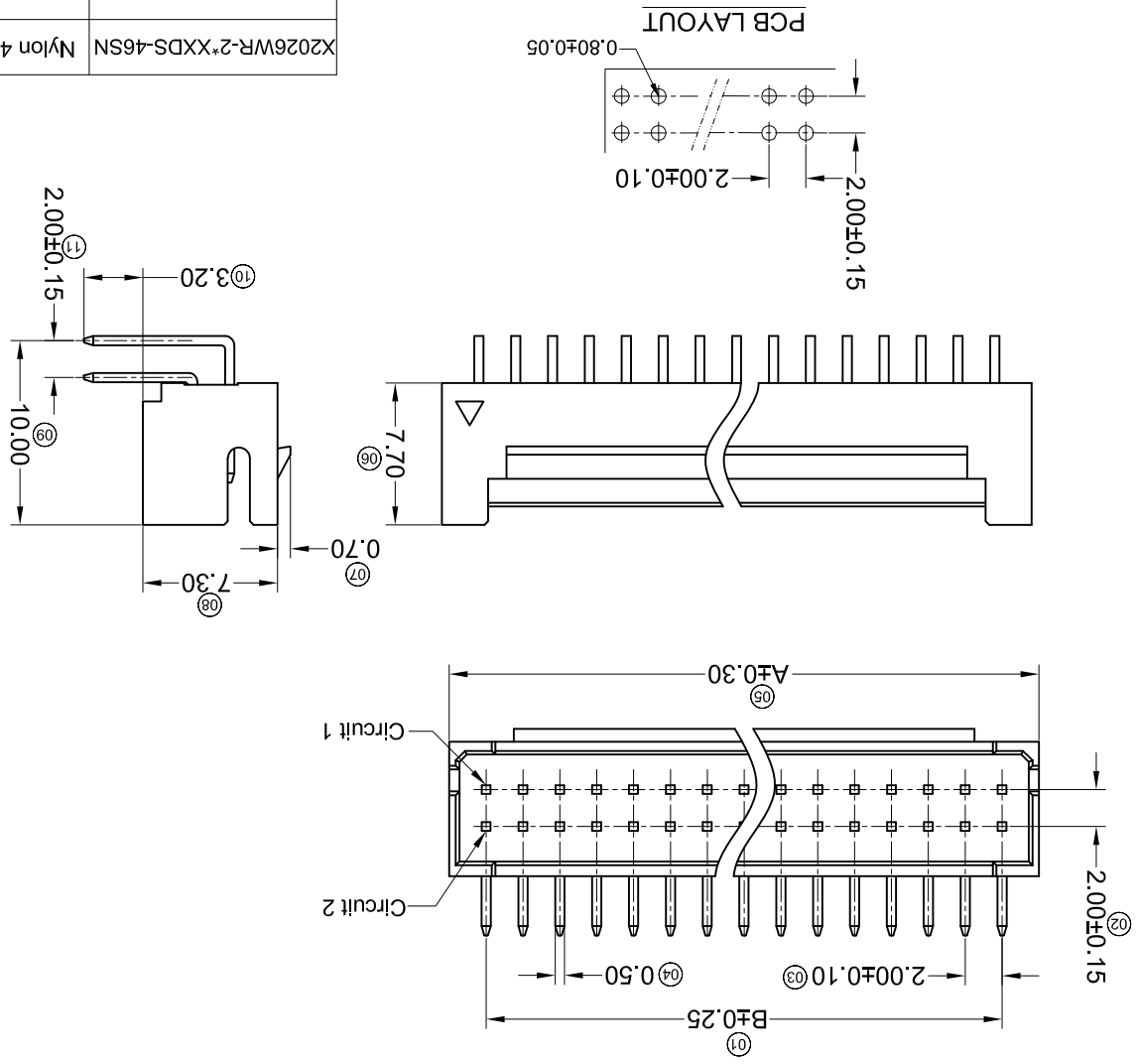
**XKB INDUSTRIAL PRECISION CO., LIMITED**

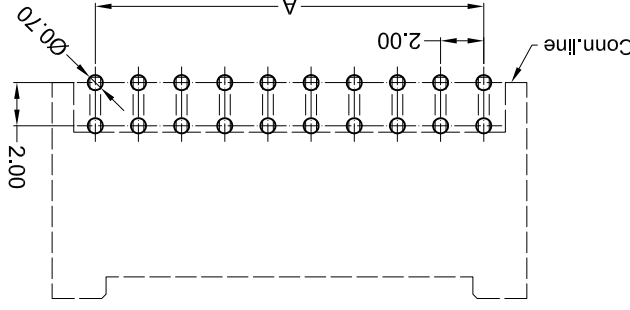
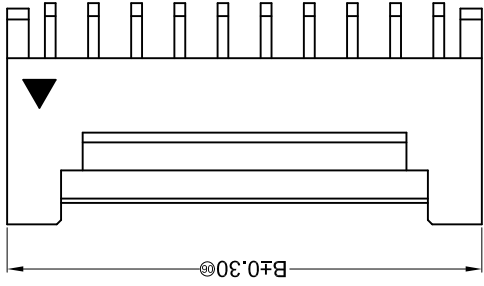
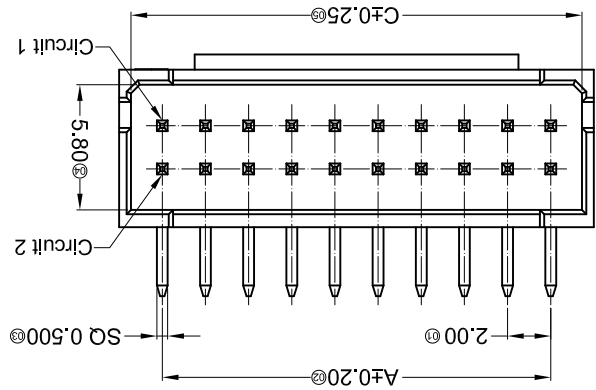
PART NO	Material	Material(Pin)	Finish(Pin)	Suitable XKB Terminal	Q'ty/Bag
X2026WR-2*XXDS-46SN	Nylon 46 UL 94V-0	Brass	Tin-Plated	X2026H-D	1,000Pcs

Poles	08	10	12	14	16	18	20	22	24	26	28	30	32	34	36	38	40	60
Dimensions (mm)	10.00	12.00	14.00	16.00	18.00	20.00	22.00	24.00	26.00	28.00	30.00	32.00	34.00	36.00	38.00	40.00	42.00	62.00
A	6.00	8.00	10.00	12.00	14.00	16.00	18.00	20.00	22.00	24.00	26.00	28.00	30.00	32.00	34.00	36.00	38.00	58.00
B	10.00	12.00	14.00	16.00	18.00	20.00	22.00	24.00	26.00	28.00	30.00	32.00	34.00	36.00	38.00	40.00	42.00	62.00

- ① Series No. X2026 WR X-2\*XX DS -XX SN XX
- ② Category: W-WAFER
- ③ Welding Board Angle: V-180°; R-90°
- ④ Welding Way: Blank-DIP; S-SMT
- ⑤ Row No.-Pin No.: XX-Single Row; 2\*XX-Double Row
- ⑥ Plug the Pin & Special No.:
- ⑦ Material: 46-PA46 94V-0
- ⑧ Plating Category: G\*\*-Gold Plated Contact
- ⑨ V\*\*-All Gold-Plated
- ⑩ 01-Gold Flash 02-2u" 03-3u"
- ⑪ 05-5u" 10-10u" 15-15u"
- ⑫ SN-Bright Tin Plating (70-120u")
- ⑬ SN1-Bright Tin Plating (120u" Min).
- ⑭ 0-No Plating Material
- ⑮ SW-Fog Tin Plating
- ⑯ HS-Hight temperature Tin
- ⑰ Color: Blank-Natural Color

- Specifications:
- Voltage rating: 250V AC / DC
  - Current rating: 3A AC / DC
  - Withstanding voltage: 1000V AC/minute
  - Temperature range: -25°C~+85°C
  - Insulation resistance: ≥1000MΩ
  - Contact resistance: ≤30mΩ
  - After environmental testing: ≤50mΩ



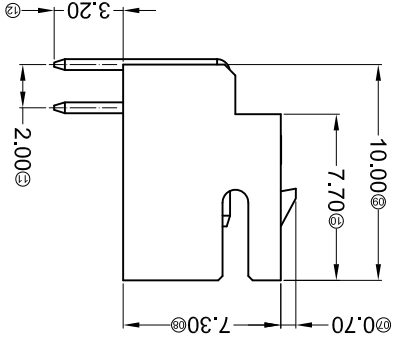
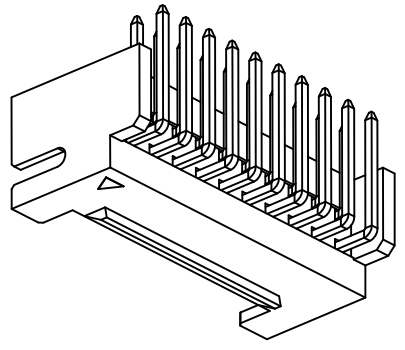


Recommended P.C.B Layout  
General Tolerance±0.05

For and on behalf of  
**XKB INDUSTRIAL PRECISION CO., LIMITED**  
香港星坤工業精密有限公司

REVISIONS  
*Authorized Signature(s)*

MARK	DESCRIPTION	DATE	REVISED	APPROVED	UNSPECIFIED TOLERANCES
△X					L > 63 ±0.5
△X					16 > L ≤ 63 ±0.4
△X					4 < L ≤ 16 ±0.3
△X					L ≤ 4 ±0.2
					ANGULAR ±5°



Poles	Dimensions (mm)			Poles	Dimensions (mm)		
	A	B	C		A	B	C
2*02	2.00	6.00	4.90	2*09	16.00	20.00	18.90
2*03	4.00	8.00	6.90	2*10	18.00	22.00	20.90
2*04	6.00	10.00	8.90	2*11	20.00	24.00	22.90
2*05	8.00	12.00	10.90	2*12	22.00	26.00	24.90
2*06	10.00	14.00	12.90	2*13	24.00	28.00	26.90
2*07	12.00	16.00	14.90	2*14	26.00	30.00	28.90
2*08	14.00	18.00	16.90	2*15	28.00	32.00	30.90

PART NO	Material	Material(Pin)	Finish(Pin)	Suitable XKB Terminal
X2026WR-2*XXD-4TSN	PA4T 94V-0	Brass	Tin-Plated	2026H-D
X2026WR-2*XXD-46SN	PA46 94V-0	Brass	Tin-Plated	2026H-D

- Specifications :
- Voltage rating: 250V AC / DC
  - Current rating: 3A AC / DC
  - Withstanding voltage: 1000V AC/minute
  - Temperature range: -25°C~+85°C
  - Insulation resistance: ≥1000MΩ
  - Contact resistance: ≤30mΩ
  - After environmental testing : ≤50mΩ

X2026 W R X-2\*XX D -46 SN XX  
① ② ③ ④ ⑤ ⑥ ⑦ ⑧ ⑨

- Series No.
- Category: W-WAFER
- Welding Board Angle: R-Right Angle 90°
- Welding Way: Blank-DIP
- Row No.-Pin No.: 2\*XX-2\*04P~2\*30P
- Plug the Pin & Special No.: D-With Lock in the middle
- Material: 46 -PA46 94V-0, 4T -PA4T 94V-0
- Plating Category: SN-Bright Tin Plating
- Color : Blank-Natural Color

DATE	SCALE: N/A	MODEL TYPE:	X2026WR-2*XXD-XXSN
DNSD	DATE	VIEW:	PART NO.:
DWN	DATE	UNIT: mm	DWG NO.:
CHKD	DATE	SIZE: A4	REVISION
APPD	DATE	WEIGHT	1.0g
		SHEET	1/1
		REVISION	A0

**XKB INDUSTRIAL PRECISION CO., LIMITED**

*For and on behalf of*  
**XKB INDUSTRIAL PRECISION CO., LIMITED**  
 香港星坤工業精密有限公司

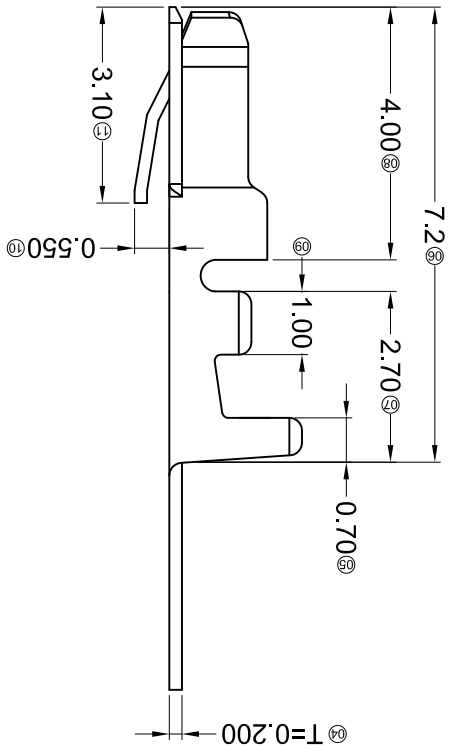
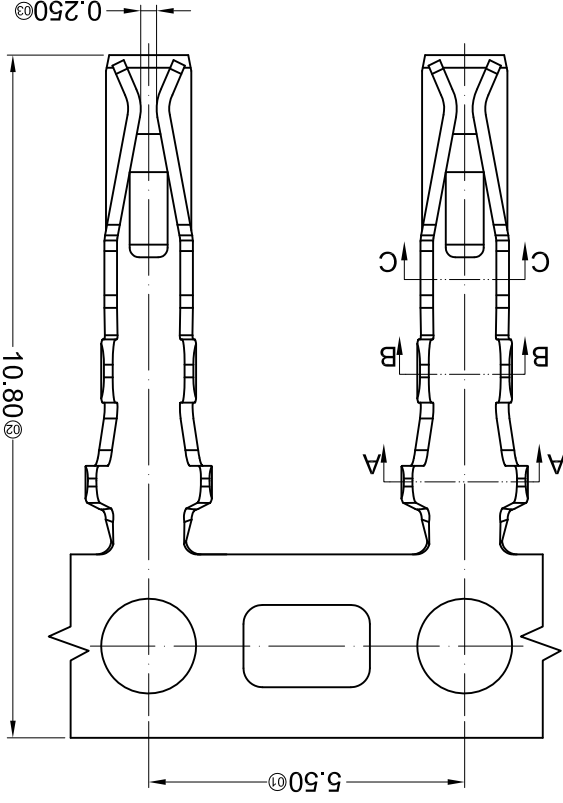
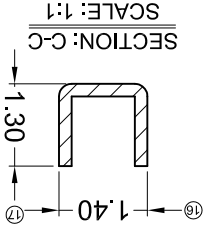
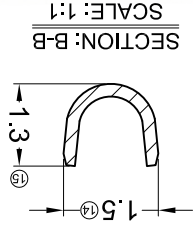
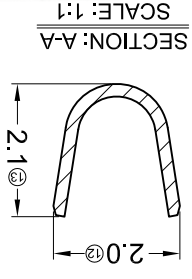
MARK	DESCRIPTION	DATE	REVISED	APPROVED	UNSPECIFIED TOLERANCES	
					L > 63	± 0.5
△ X					16 < L ≤ 63	± 0.4
△ X					4 < L ≤ 16	± 0.3
△ X					L ≤ 4	± 0.2
					ANGULAR	± 5°

*Authorized Signature(s)*

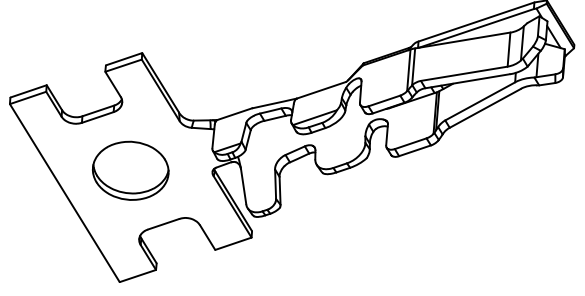
DSND	DATE	SCALE: N/A	MODEL TYPE: X2026T-PXXX-D
DWN	DATE <td>VIEW: </td> <td>PART NO.: 2.00mm Crimp Style Connectors</td>	VIEW:	PART NO.: 2.00mm Crimp Style Connectors
CHKD	DATE <td>UNIT: mm</td> <td>DWG NO.:</td>	UNIT: mm	DWG NO.:
APPD	DATE <td>SIZE: A4</td> <td></td>	SIZE: A4	

**XKB INDUSTRIAL PRECISION CO., LIMITED**

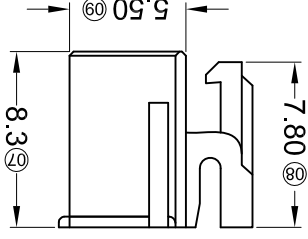
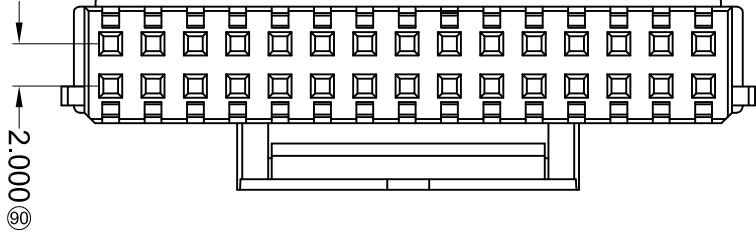
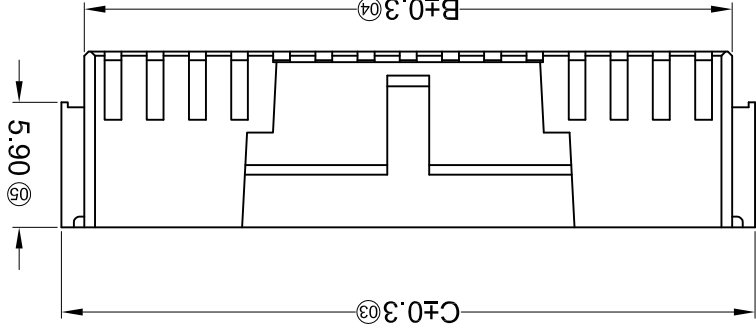
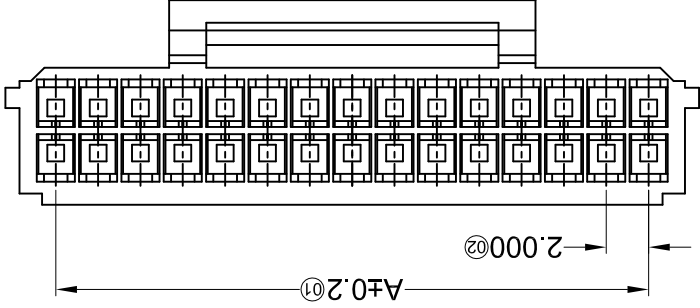
REVISION	SHEET	WEIGHT
A0	1/1	1.0g



PART NO	Material	Wire Range	Insulation O.D.	Finish
X2026T-P303-D	Phosphor Bronze	AWG#22-28	1.60mm(Max)	Stamping Before plating: 30u" MIN. Ni; 70u" Sn
X2026H-D	Phosphor Bronze	AWG#22-28	1.60mm(Max)	Stamping Before plating: 30u" MIN. Ni; Contact 3u" Au



- Specifications :**
- Voltage rating: 250V AC / DC
  - Current rating: 3A AC / DC
  - Withstanding voltage: 1000V AC/minute
  - Temperature range: -25°C~+85°C
  - Insulation resistance: ≥1000MΩ
  - Contact resistance: ≤30mΩ
  - After environmental testing: ≤50mΩ
- X2026 T X-P SN X - D
- Series Number
  - Category: T-terminal
  - Shape: Blank-ordinary
  - Material: P-Phosphor bronze
  - Plating style:
  - SN-Bright tin plating ; G03-Contact Gold Plating 3u"
  - Plating method : Blank-Stamping before plating
  - Mold No./Mark/Special No.:
  - D-Mating 2026H-2\*08D Series Following Housing



- Specifications :
- Voltage rating: 250V AC / DC
  - Current rating: 3A AC / DC
  - Withstanding voltage: 1000V AC/minute
  - Temperature range: -25°C~+85°C
  - Insulation resistance: ≥100MΩ
  - Contact resistance: ≤30mΩ
  - After environmental testing : ≤50mΩ

X2026 H X-2\*XX D-N0 XX

- ① Series No.

② Category: H-HSG

③ Appearance type: Blank-Ordinary

④ Row No.-Pin No.: 2\*XX-2\*02P~2\*22P

⑤ Plug the Pin & special No.:

D-With Lock in the middle

⑥ Material: N0-PA66 94V-0

⑦ Color: Blank-Natural Color

Poles	Dimensions (mm)		
	A	B	C
2*02	2.00	4.60	2*12
2*03	4.00	6.60	2*13
2*04	6.00	8.60	2*14
2*05	8.00	10.60	2*15
2*06	10.00	12.60	2*16
2*07	12.00	14.60	2*17
2*08	14.00	16.60	2*18
2*09	16.00	18.60	2*19
2*10	18.00	20.60	2*20
2*11	20.00	22.60	2*21

PART NO	Material	Suitable XKB Terminal	Suitable XKB Terminal
X2026H-2*XXD-N0	Nylon 66 UL 94V-0	X2026T-D	X2026W-D

DSND DATE SCALE: N/A

DWN DATE VIEW:

CHKD DATE UNIT: mm

APPD DATE SIZE: A4

MODEL TYPE:	SCALE: N/A	WEIGHT	SHEET	REVISION
X2026H-2*XXD-N0		1.0g	1/1	A0

MARK	DESCRIPTION	DATE	REVISED	APPROVED	UNSPECIFIED TOLERANCES	
					L > 63	±0.5
△ X					16 > L ≤ 63	±0.4
△ X					4 < L ≤ 16	±0.3
△ X					L ≤ 4	±0.2
					ANGULAR	±5°

For and on behalf of  
**XKB INDUSTRIAL PRECISION CO., LIMITED**  
 香港星坤工業精密有限公司

REVISIONS  
 Authorized Signature(s)

**XKB INDUSTRIAL PRECISION CO., LIMITED**

## X-ON Electronics

Largest Supplier of Electrical and Electronic Components

*Click to view similar products for [Headers & Wire Housings](#) category:*

*Click to view products by [XKB](#) manufacturer:*

Other Similar products are found below :

[95000-104TRLF](#) [10135584-644402LF](#) [DF62W-EP2022PCA](#) [95000-106TRLF](#) [DF62W-2022SCA](#) [DF62W-EP2022PC](#) [2203348](#) [DF62W-2022SC](#) [1084018](#) [1029039](#) [1084017](#) [802-10-012-10-002000](#) [1112640](#) [1112639](#) [891-007-9SS-BST1T](#) [000-34000](#) [0008550134](#) [0009482033](#) [0009507031](#) [57102-F02-18ULF](#) [57102-S06-03LF](#) [57202-S52-04LF](#) [PCN6-15S-2.5E](#) [0039019024](#) [58102-G61-06LF](#) [582553-1](#) [0009485154](#) [0009508121](#) [0022285053](#) [0050291907](#) [018731A](#) [LY20-4P-DT1-P1E-BR](#) [02.125.8002.8](#) [60101931](#) [60598-1 \(Cut Strip\)](#) [M1625-3R/100](#) [61062-3](#) [61082-181009](#) [CSU011177004](#) [636-1427](#) [638009-1](#) [641938-9](#) [641991-4](#) [644168-1](#) [644827-2](#) [647662-1](#) [65039-019ELF](#) [65692-001LF](#) [65781-018](#) [65781-047](#)