

REVISIONS		UNSPECIFIED TOLERANCES	
MARK	DESCRIPTION	APPROVED	DATE
△ X		REVISED	
△ X		APPROVED	L > 63 ± 0.5
△ X			16 < L ≤ 63 ± 0.4
			4 < L ≤ 16 ± 0.3
			L ≤ 4 ± 0.2
			ANGULAR ± 5°

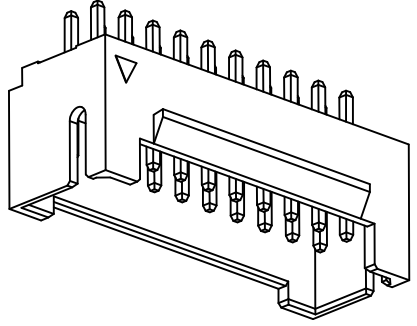
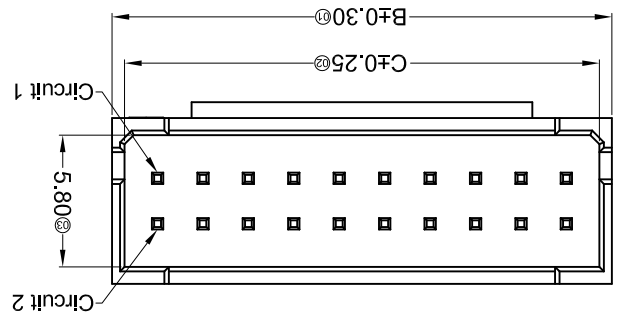
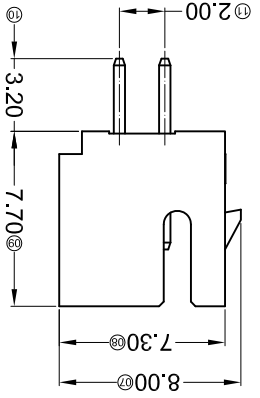
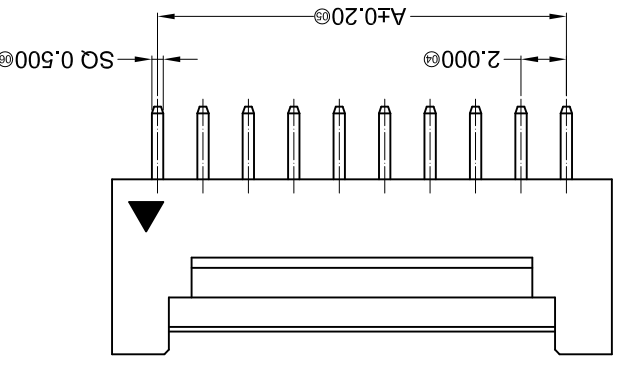
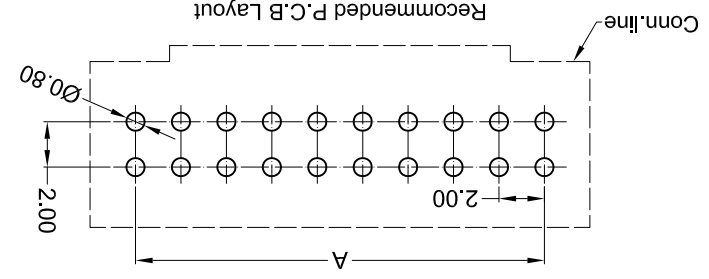
For and on behalf of
XKB INDUSTRIAL PRECISION CO., LIMITED
 香港星坤工業精密有限公司

REVISIONS		UNSPECIFIED TOLERANCES	
MARK	DESCRIPTION	APPROVED	DATE
△ X		REVISED	
△ X		APPROVED	L > 63 ± 0.5
△ X			16 < L ≤ 63 ± 0.4
			4 < L ≤ 16 ± 0.3
			L ≤ 4 ± 0.2
			ANGULAR ± 5°

For and on behalf of
XKB INDUSTRIAL PRECISION CO., LIMITED
 香港星坤工業精密有限公司

WEIGHT	1.0g
SHEET	1/1
REVISION	A0

MODEL TYPE:	N/A
SCALE:	N/A
DATE:	
DWNS:	
CHKD:	
APPD:	
DATE:	
SIZE:	A4
DWG NO.:	
PART NO.:	X2026WV-2*XXD-XXXXX
VIEW:	VIEW: mm
UNIT:	UNIT: mm
DATE:	
DATE:	



Poles	Dimensions (mm)	Poles	Dimensions (mm)	Poles	Dimensions (mm)
A	2.02	A	2.02	A	2.02
B	2.04	B	2.04	B	2.04
C	2.05	C	2.05	C	2.05
	2.06		2.06		2.06
	2.07		2.07		2.07
	2.08		2.08		2.08
	2.09		2.09		2.09
	2.10		2.10		2.10
	2.11		2.11		2.11
	2.12		2.12		2.12
	2.13		2.13		2.13
	2.14		2.14		2.14
	2.15		2.15		2.15
	2.16		2.16		2.16
	2.17		2.17		2.17
	2.18		2.18		2.18
	2.19		2.19		2.19
	2.20		2.20		2.20
	2.21		2.21		2.21
	2.22		2.22		2.22
	2.23		2.23		2.23
	2.24		2.24		2.24
	2.25		2.25		2.25
	2.26		2.26		2.26
	2.27		2.27		2.27
	2.28		2.28		2.28
	2.29		2.29		2.29
	2.30		2.30		2.30
	2.31		2.31		2.31
	2.32		2.32		2.32
	2.33		2.33		2.33
	2.34		2.34		2.34
	2.35		2.35		2.35
	2.36		2.36		2.36
	2.37		2.37		2.37
	2.38		2.38		2.38
	2.39		2.39		2.39
	2.40		2.40		2.40
	2.41		2.41		2.41
	2.42		2.42		2.42
	2.43		2.43		2.43
	2.44		2.44		2.44
	2.45		2.45		2.45
	2.46		2.46		2.46
	2.47		2.47		2.47
	2.48		2.48		2.48
	2.49		2.49		2.49
	2.50		2.50		2.50

- ① Series No.
- ② Category: W-WAFER
- ③ Welding Board Angle: V-Straight 180°
- ④ Welding Way: Blank-DIP
- ⑤ Row No.-Pin No.: 2*XX-2*04P~2*30P
- ⑥ Plug the Pin & Special No.: D-With Lock in the middle
- ⑦ Material: 46 -PA46 94V-0, 9T-PA9T 94V-0,
- ⑧ 4T-PA4T 94V-0
- ⑨ Plating Category: SN-Bright Tin Plating, V03-All Gold-Plated 3u"
- ⑩ Color: Blank-Natural Color

- Specifications:**
- Voltage rating: 250V AC / DC
 - Current rating: 3A AC / DC
 - Withstanding voltage: 1000V AC/minute
 - Temperature range: -25°C~+85°C
 - Insulation resistance: ≥1000MΩ
 - Contact resistance: ≤30mΩ
 - After environmental testing: ≤50mΩ

X2026 W V X-2*XX D -XX XX XX

MODEL TYPE:	N/A
SCALE:	N/A
DATE:	
DWNS:	
CHKD:	
APPD:	
DATE:	
SIZE:	A4
DWG NO.:	
PART NO.:	X2026WV-2*XXD-XXXXX
VIEW:	VIEW: mm
UNIT:	UNIT: mm
DATE:	
DATE:	

X-ON Electronics

Largest Supplier of Electrical and Electronic Components

Click to view similar products for [Headers & Wire Housings](#) category:

Click to view products by [XKB](#) manufacturer:

Other Similar products are found below :

[95000-104TRLF](#) [10135584-644402LF](#) [DF62W-EP2022PCA](#) [95000-106TRLF](#) [DF62W-2022SCA](#) [DF62W-EP2022PC](#) [2203348](#) [DF62W-2022SC](#) [1084018](#) [1029039](#) [1084017](#) [802-10-012-10-002000](#) [1112640](#) [1112639](#) [891-007-9SS-BST1T](#) [000-34000](#) [0008550134](#) [0009482033](#) [0009507031](#) [57102-F02-18ULF](#) [57102-S06-03LF](#) [57202-S52-04LF](#) [PCN6-15S-2.5E](#) [0039019024](#) [58102-G61-06LF](#) [582553-1](#) [0009485154](#) [0009508121](#) [0022285053](#) [0050291907](#) [018731A](#) [LY20-4P-DT1-P1E-BR](#) [02.125.8002.8](#) [60101931](#) [60598-1 \(Cut Strip\)](#) [M1625-3R/100](#) [61062-3](#) [61082-181009](#) [CSU011177004](#) [636-1427](#) [638009-1](#) [641938-9](#) [641991-4](#) [644168-1](#) [644827-2](#) [647662-1](#) [65039-019ELF](#) [65692-001LF](#) [65781-018](#) [65781-047](#)