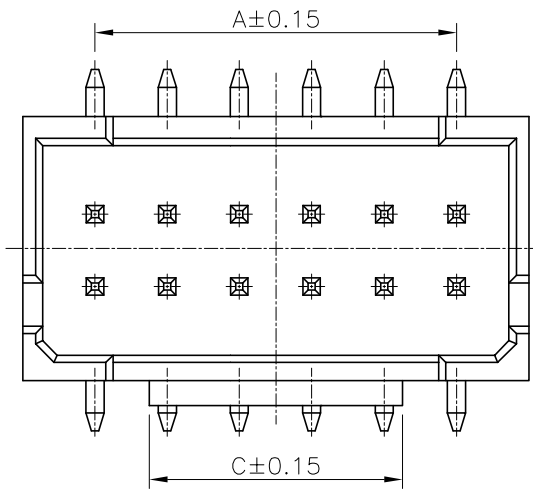
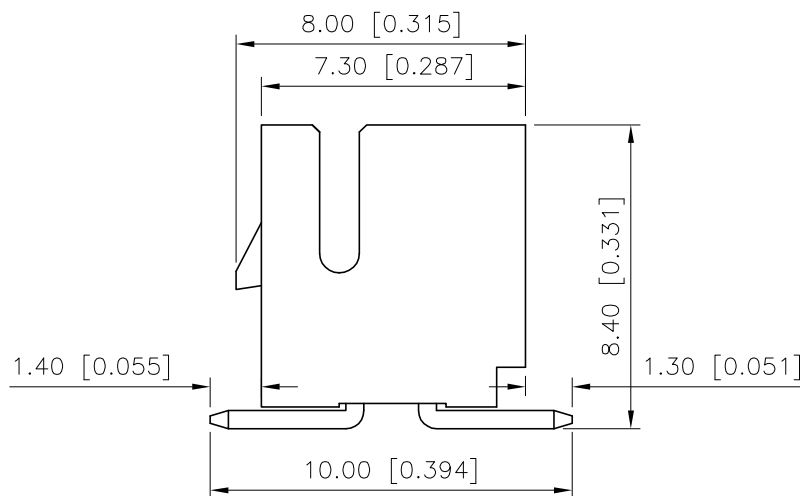
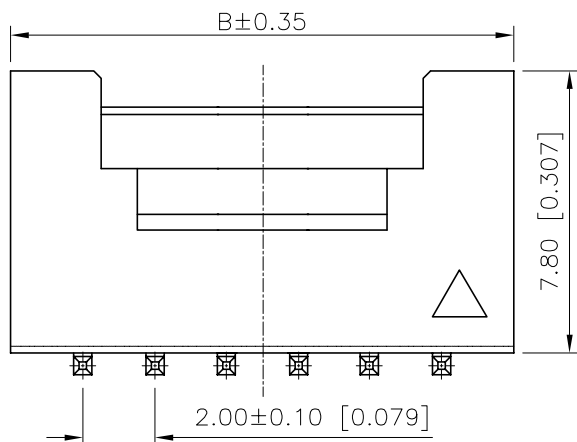
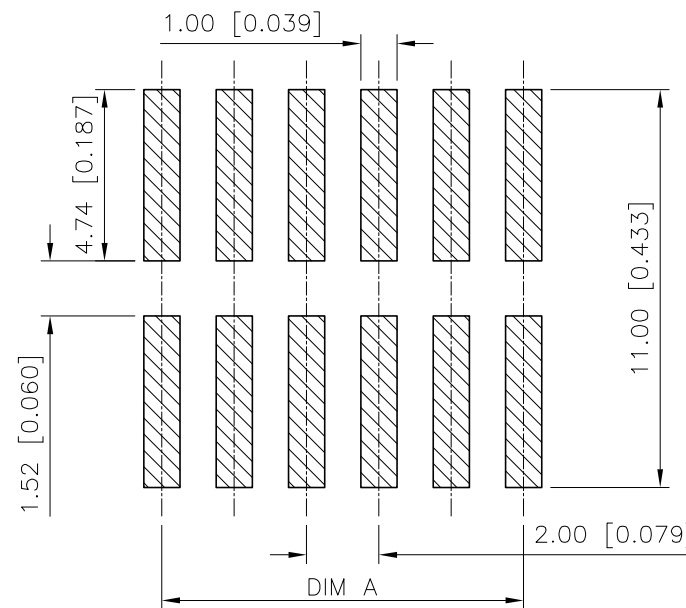


REVISIONS					
REV.	ECN NO.	LOCATION	DESCRIPTION	DATE	DESIGN
A0	N/A		INITIAL RELEASE	2024.02.29	



Specifications (规格):

1. Voltage rating (额定电压): 250V AC DC
2. Current rating (额定电流): 3.0A AC/DC
3. Withstanding voltage (耐压值): $\geq 800V$ AC/minute
4. Insulation resistance (绝缘电阻): $1000M\Omega$ Min
5. Contact resistance (绝缘电阻): $10m\Omega$ Max
6. Temperature range (使用温度): $-40^{\circ}C \sim +105^{\circ}C$



PART NO.: PCB LAYOUT

X2026 W V S-2xXX D1-XX XX
 ① ② ③ ④ ⑤ ⑥ ⑦ ⑧

- ① Series No
- ② Category: W-Wafer
- ③ Welding Board Angle: V-Straight 180°
- ④ Welding Way: S-SMT
- ⑤ Row No-Pin: 2xXX-2x01P~2x22P
- ⑥ Plug the PIN&Special NO:
D1-With Lock in the middle
- ⑦ Material: LP-LCP; 46-PA46
- ⑧ Plating Category: SN-Bright Tin Plated
SW-Fog Tin Plated

NUMBER OF POSITIONS	DIM.A	DIM.B	DIM.C	NUMBER OF POSITIONS	DIM.A	DIM.B	DIM.C
2X02	2.00	6.00	3.00	2X13	24.00	28.00	21.00
2X03	4.00	8.00	3.00	2X14	26.00	30.00	23.00
2X04	6.00	10.00	3.00	2X15	28.00	32.00	25.00
2X05	8.00	12.00	5.00	2X16	30.00	34.00	27.00
2X06	10.00	14.00	7.00	2X17	32.00	36.00	29.00
2X07	12.00	16.00	9.00	2X18	34.00	38.00	31.00
2X08	14.00	18.00	11.00	2X19	36.00	40.00	33.00
2X09	16.00	20.00	13.00	2X20	38.00	42.00	35.00
2X10	18.00	22.00	15.00	2X21	40.00	44.00	37.00
2X11	20.00	24.00	17.00	2X22	42.00	46.00	39.00
2X12	22.00	26.00	19.00				

X2026WVS-2xXXD1-XXXX	LCP/PA46	BRASS	TIN-PLATED	X3025H-D
PART NO.	MATERIAL	MATERIAL(PIN)	FINISH(PIN)	Suitable XKB Terminal

ANGLAR	$\pm 5^{\circ}$
X.	± 0.40
X.x	± 0.30
X.xx	± 0.20
X.xxx	± 0.15
UNSPECIFIED TOLERANCES	



DESIGN	桑葚	VIEW:		MODEL TYPE:	2.0mm Crimp Style Connector
CHECKED		UNIT:	mm/in	PART NO.:	X2026WVS-2xXXD1-XXXX
APPROVED		SIZE:	A4	DWG NO.:	

XKB INDUSTRIAL PRECISION CO., LIMITED

SCALE	PAGE	REVISION
N/A	1/1	A0

X-ON Electronics

Largest Supplier of Electrical and Electronic Components

Click to view similar products for [Headers & Wire Housings](#) category:

Click to view products by [XKB](#) manufacturer:

Other Similar products are found below :

[0015917161](#) [0022155065](#) [57102-F02-18ULF](#) [58102-G61-06LF](#) [582553-1](#) [01.001.5753.1](#) [0050291907](#) [02.125.8002.8](#) [609-3404](#) [61062-3](#)
[CSU011177004](#) [622-0430](#) [622-3653LF](#) [63453-116](#) [636-1030](#) [636-1427](#) [636-3427](#) [636-4007](#) [641938-9](#) [65495-038](#) [65692-001LF](#) [65781-018](#)
[65781-047](#) [65817-010LF](#) [65817-015LF](#) [67095-007LF](#) [67601157](#) [68631-112](#) [699319-000](#) [70.362.1628.0](#) [70-4210](#) [70-4226B](#) [70-4853B](#) [707-](#)
[5028](#) [71.350.2428.0](#) [733-134](#) [733-162](#) [760-3052](#) [MHR-64-VUAL](#) [80.063.4001.1](#) [800-90-001-10-001000](#) [801-43-002-10-013000](#)
[801-43-006-10-002000](#) [803-43-024-10-001000](#) [803-93-012-10-001000](#) [8-1437020-4](#) [819-22-004-30-001101](#) [820-22-006-30-001101](#)
[820-22-008-30-001101](#) [821-22-002-10-001101](#)