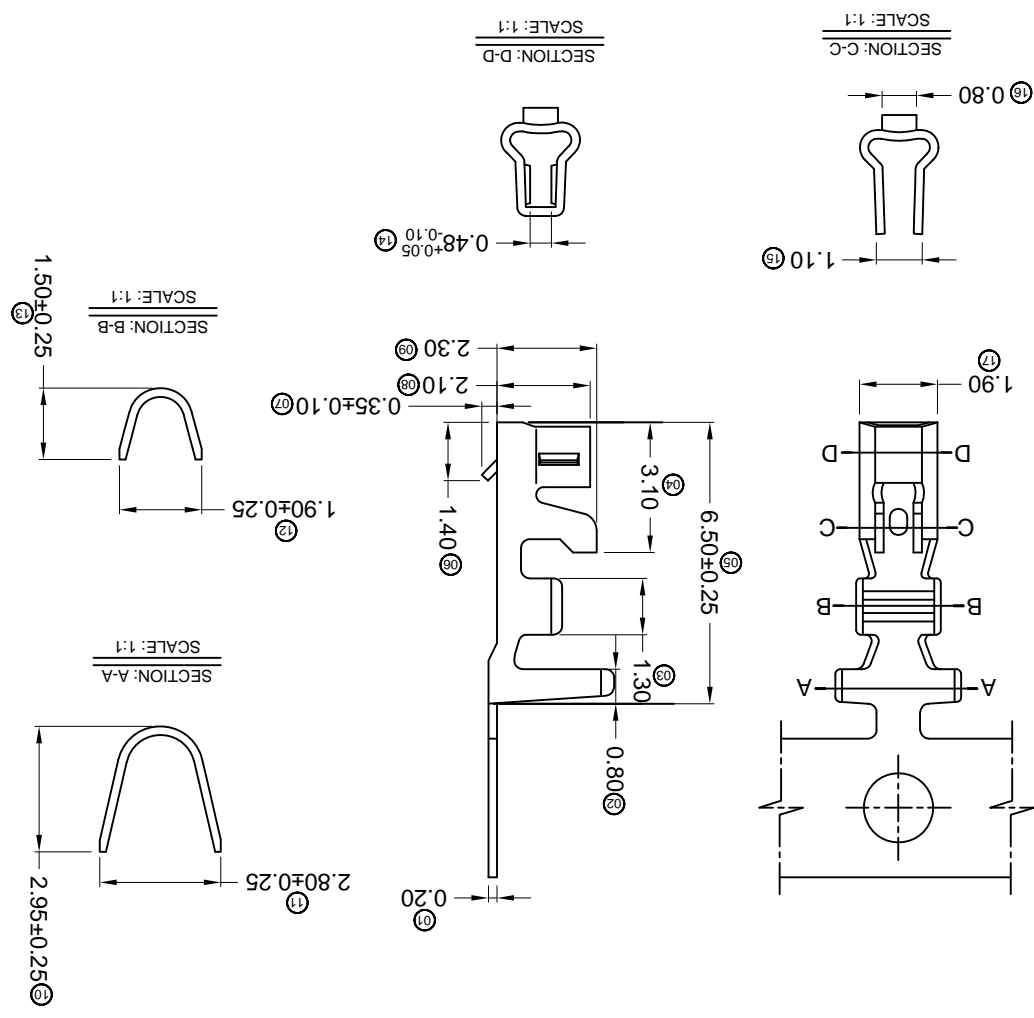


REVISIONS		UNSPECIFIED TOLERANCES		XKB INDUSTRIAL PRECISION CO., LIMITED	
MARK	DESCRIPTION	DATE	REVISED	APPROVED	DATE
△ X					L > 63 ± 0.5
△ X					16 < L ≤ 63 ± 0.4
△ X					4 < L ≤ 16 ± 0.3
					L ≤ 4 ± 0.2
					ANGULAR ± 5°
DWN		DATE	VIEW:	PART NO.:	2.50 mm Crimp Style Connector
CHKD		DATE	UNIT: mm	DWG NO.:	
APPD		DATE	SIZE: A4		
DSND		DATE	SCALE: N/A	MODEL TYPE:	X2508T-PSN
REVISED SIGNATURE(S)					

For and on behalf of
XKB INDUSTRIAL PRECISION CO., LIMITED
 香港星坤工業精密有限公司

PART NO	Material	Wire Range	Insulation O.D.	Finish	Suitable XKB Terminal
X2508T-PSN	Phosphor Bronze	AWG#20-28	1.90mm(Max)	Stamping Before Plating:30~50u" Ni;70~120u" Sn	X2508H



- Specifications :
- Voltage rating: 250V AC / DC
 - Current rating: 3A AC / DC
 - Withstanding voltage: 1500V AC/minute
 - Temperature range: -25°C~+85°C
 - Insulation resistance: ≥500MΩ
 - Contact resistance: ≤10mΩ
 - After environmental testing: ≤20mΩ
 - Mark "*" indicate Dimensions Need To Controlled In Emphasis

X2508 T X-P SN X-X

- ① Series No.
- ② Category: T-Terminal
- ③ Appearance type: Blank-Ordinary
- ④ Material: P-Phosphor bronze
- ⑤ Plating Style: G**-Gold Plated Contact
- V**- All Gold-Plated

- ⑥ Plating Style: G**-Gold Plated Contact
- V**- All Gold-Plated
- ⑦ 01-Gold Flash 02-2u" 03-3u"
- 05-5u" 10-10u" 15-15u"
- SN-Bright Tin Plating
- SN1-Bright Tin Plating
- 0-No Plating Material
- SW-Fog Tin Plating
- ⑧ Plating Method : Blank-Stamping before Plating
- B-Plating before stamping
- ⑦ Mold No./Mark/Special No.

X-ON Electronics

Largest Supplier of Electrical and Electronic Components

Click to view similar products for [Terminals](#) category:

Click to view products by [XKB](#) manufacturer:

Other Similar products are found below :

[HT-13-10](#) [71M-250-32-NB](#) [01-2065-1-0216](#) [00581P0075](#) [M10-10RX](#) [M10BCK](#) [60205-1](#) [604200-1](#) [60598-1-CUT-TAPE](#) [60617-1-C](#) [60873-1](#) [M14-516R/SK](#) [M14-6RSX](#) [M18-10FLX](#) [M18-8FBX](#) [M18-8R/LX](#) [M18BCK](#) [61314-6-C](#) [61-S](#) [61-SN-A](#) [62-NBM-A](#) [63-S](#) [640179-1](#) [640917-2-CUT-TAPE](#) [6501550002](#) [66107-2-C](#) [66107-4-C](#) [696683-1](#) [696834-1](#) [696861-1](#) [696931-1](#) [696999-1](#) [M8-516RK](#) [M86700006](#) [MA250DMFMX-A](#) [701-2007](#) [701-2307](#) [701-7761-03](#) [70F-110-32-PB](#) [718-N-A](#) [71M-187-20-NBL](#) [71M-250-32-NBL](#) [72F-187-20-NBL](#) [72M-250-32-NBL](#) [7310](#) [73F-250-32](#) [73F-250-32-NBL](#) [73F-250-32-NL](#) [F14-10C](#) [F-1M](#)