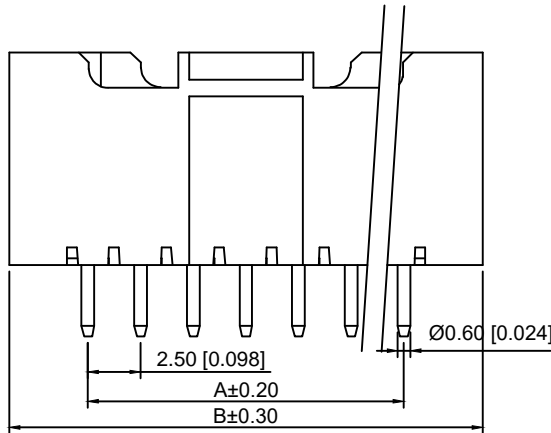
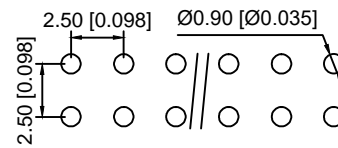
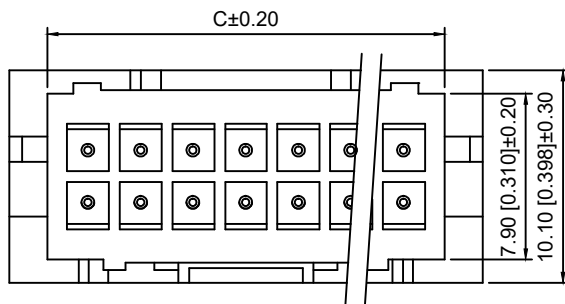
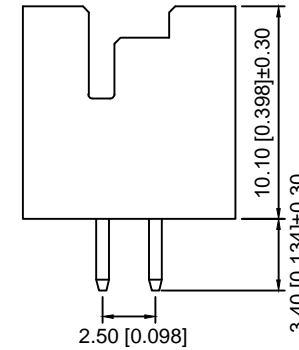
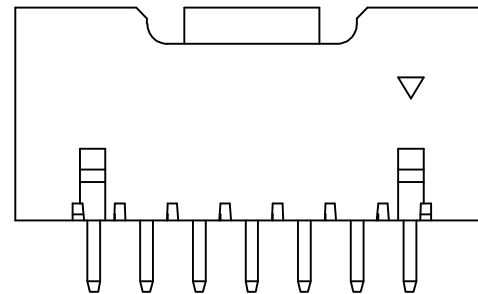


2x09PIN以上



2x02~2x08PIN



PCB LAYOUT

Specifications:

规格:
 Voltage rating:250V AC/DC
 额定电压: 250V AC/DC
 Current rating:3A AC/DC
 额定电流: 3A AC/DC
 Withstanding voltage:1000V AC/minute
 耐受电压: 1000V AC/分钟
 Temperature range:-40°C-+125°C
 温度范围: -40°C-+125°C
 Insulation resistance:1000MΩ min
 绝缘电阻: 1000MΩ Min
 Contact resistance:20mΩ Max
 接触电阻: 20mΩ Max

X2508 W V - 2xXX A - N0 SN
 ① ② ③ ④ ⑤ ⑥ ⑦

- Series No
- Category:W-Wafer
- Welding Board Range:V-Stright 180°
- Row No.Pin No:2xXX-2x02~2x20 Pin
- Special No.
- Material:N0-Nylon 66 UL94V-0
- Plating:SN-Plated Tin

| Poles | Dimensions(mm) | | | Poles | Dimensions(mm) | | |
|-------|----------------|-------|-------|-------|----------------|-------|-------|
| | A | B | C | | A | B | C |
| 2x02 | 2.50 | 10.00 | 6.40 | 2x10 | 22.50 | 30.00 | 26.40 |
| 2x03 | 5.00 | 12.50 | 8.90 | 2x11 | 25.00 | 32.50 | 28.90 |
| 2x04 | 7.50 | 15.00 | 11.40 | 2x12 | 27.50 | 35.00 | 31.40 |
| 2x05 | 10.00 | 17.50 | 13.90 | 2x13 | 30.00 | 37.50 | 33.90 |
| 2x06 | 12.50 | 20.00 | 16.40 | 2x14 | 32.50 | 40.00 | 36.40 |
| 2x07 | 15.00 | 22.50 | 18.90 | 2x15 | 35.00 | 42.50 | 38.90 |
| 2x08 | 17.50 | 25.00 | 21.40 | ... | ... | ... | ... |
| 2x09 | 20.00 | 27.50 | 23.90 | 2x20 | 47.50 | 55.00 | 51.40 |

| | | | |
|--------------------|----------|---------------|----------------------|
| X2508WV-2xXXA-N0SN | Nylon 66 | Brass | X2508H-A |
| PART NO | Material | Material(Pin) | Suitable XKB Housing |

| | | |
|------|-------------|--|
| DSND | SCALE: N/A | MODEL TYPE: 2.5mm Crimp Style Connector |
| DWN | VIEW: | PART NO.: X2508WV-2xXXA-N0SN |
| CHKD | UNIT: mm/in | DWG NO.: X-X2508WV-2xXXA-N0SN |
| APPD | SIZE: A4 | |

| | | | | | | |
|---|-------------|------|---------|----------|------------------------|------|
| | | | | | ANGULAR | ±5° |
| ΔX | | | | | L ≤ 4 | ±0.2 |
| ΔX | | | | | 4 < L ≤ 16 | ±0.3 |
| ΔX | | | | | 16 < L ≤ 63 | ±0.4 |
| MARK | DESCRIPTION | DATE | REVISED | APPROVED | L > 63 | ±0.5 |
| REVISIONS | | | | | UNSPECIFIED TOLERANCES | |
| www.helloxkb.com www.helloxkb.cn www.xk-dg.cn | | | | | | |



XKB INDUSTRIAL PRECISION CO., LIMITED

| | | |
|--------|-------|----------|
| WEIGHT | SHEET | REVISION |
| | 1/1 | A0 |

X-ON Electronics

Largest Supplier of Electrical and Electronic Components

Click to view similar products for [Headers & Wire Housings](#) category:

Click to view products by [XKB](#) manufacturer:

Other Similar products are found below :

[0015917161](#) [0022155065](#) [57102-F02-18ULF](#) [58102-G61-06LF](#) [582553-1](#) [01.001.5753.1](#) [0050291907](#) [02.125.8002.8](#) [609-3404](#) [61062-3](#)
[CSU011177004](#) [622-0430](#) [622-3653LF](#) [63453-116](#) [636-1030](#) [636-1427](#) [636-3427](#) [636-4007](#) [641938-9](#) [65495-038](#) [65692-001LF](#) [65781-018](#)
[65781-047](#) [65817-010LF](#) [65817-015LF](#) [67095-007LF](#) [67601157](#) [68631-112](#) [68645-018](#) [699319-000](#) [70.362.1628.0](#) [70-4210](#) [70-4226B](#) [70-](#)
[4853B](#) [71.350.2428.0](#) [733-134](#) [733-162](#) [760-3052](#) [MHR-64-VUAL](#) [80.063.4001.1](#) [800-90-001-10-001000](#) [801-43-002-10-013000](#)
[801-43-006-10-002000](#) [803-43-024-10-001000](#) [803-93-012-10-001000](#) [8-1437020-4](#) [819-22-004-30-001101](#) [820-22-006-30-001101](#)
[820-22-008-30-001101](#) [821-22-002-10-001101](#)