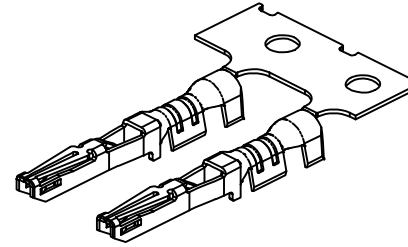
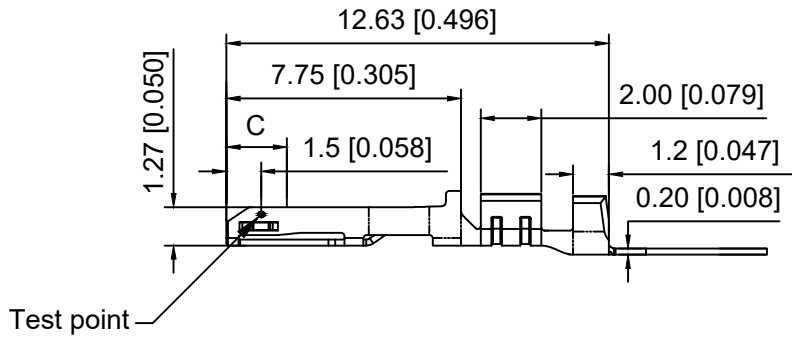


Specifications:

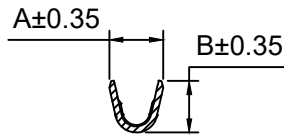
规格:

Voltage rating:250V AC/DC
 额定电压: 250V AC/DC
 Current rating:4A AC/DC
 额定电流: 4A AC/DC
 Withstanding voltage:1500V AC/minute
 耐受电压: 1500V AC/分钟
 Temperature range:-40℃-+105℃
 温度范围: -40℃-+105℃
 Insulation resistance:1000MΩ min
 绝缘电阻: 1000MΩ Min
 Contact resistance:30mΩ Max
 接触电阻: 30mΩ Max

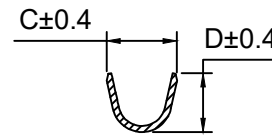


X2513 T - P V01 - X
 ① ② ③ ④ ⑤

- 1.Series No
- 2.Category:T-Terminal
- 3.Material :P-Phosphor Bronze
H-High Conductivity Copper Alloy
- 4.Plating:V01-Gold Flash
- 5.Special N0:H-High foot For #20~22AWG
L-Low foot For #24~26AWG



SEC:A-A



SEC:B-B

| | | | | | |
|--------------|------------|-------|-------|-------|-------|
| X2513T-PSN-H | AWG#20~22 | 1.80 | 1.85 | 2.33 | 1.94 |
| X2513T-PSN-L | AWG#24~26 | 1.39 | 1.45 | 2.12 | 2.00 |
| PART NO | Wire Range | DIM.A | DIM.B | DIM.C | DIM.D |

| | | | |
|--------------|-----------------|----------------------|--------------------|
| X2513T-PSN-X | Phosphor Bronze | X2513H | X2513W |
| PART NO | Material | Suitable XKB Housing | Suitable XKB Wafer |

| | | | |
|------|--|-------------|--|
| DSND | | SCALE: N/A | MODEL TYPE: 2.5mm Crimp Style Connector |
| DWN | | VIEW: | PART NO.: X2513T-PSN-X |
| CHKD | | UNIT: mm/in | DWG NO.: X-X2513T-PSN-X |
| APPD | | SIZE: A4 | |



XKB INDUSTRIAL PRECISION CO.,LIMITED

| | | |
|--------|-------|----------|
| WEIGHT | SHEET | REVISION |
| | 1/1 | A0 |

| | | | | | | |
|---|--|------|---------|----------|------------------------|------|
| | | | | | ANGULAR | ±5° |
| ΔX | | | | | L ≤ 4 | ±0.2 |
| ΔX | | | | | 4 < L ≤ 16 | ±0.3 |
| ΔX | | | | | 16 < L ≤ 63 | ±0.4 |
| MARK | | | | | L > 63 | ±0.5 |
| REVISIONS | | | | | UNSPECIFIED TOLERANCES | |
| DESCRIPTION | | DATE | REVISED | APPROVED | | |
| www.helloxkb.com www.helloxkb.cn www.xk-dg.cn | | | | | | |

X-ON Electronics

Largest Supplier of Electrical and Electronic Components

Click to view similar products for [Headers & Wire Housings](#) category:

Click to view products by [XKB](#) manufacturer:

Other Similar products are found below :

[57102-F02-18ULF](#) [58102-G61-06LF](#) [582553-1](#) [009176003701906](#) [01.001.5753.1](#) [0050291907](#) [02.125.8002.8](#) [609-3404](#) [61062-3](#)
[CSU011177004](#) [622-0430](#) [622-3653LF](#) [63453-116](#) [636-1030](#) [636-1427](#) [636-3427](#) [636-4007](#) [641938-9](#) [644827-2](#) [65495-038](#) [65692-001LF](#)
[65781-018](#) [65781-047](#) [65817-010LF](#) [65817-015LF](#) [66207-023LF](#) [67095-007LF](#) [67601157](#) [68631-112](#) [68645-018](#) [699319-000](#)
[M90C108951C](#) [70.362.1628.0](#) [70-4210](#) [70-4226B](#) [70-4853B](#) [707-5028](#) [71.350.2428.0](#) [71961-016LF](#) [733-134](#) [733-162](#) [754199-000](#) [760-](#)
[3052](#) [80.063.4001.1](#) [800-90-001-10-001000](#) [800-90-010-10-002000](#) [801-43-002-10-013000](#) [801-43-006-10-002000](#) [803-41-018-10-001000](#)
[803-43-024-10-001000](#)