

For and on behalf of
KXB INDUSTRIAL PRECISION CO., LIMITED
 香港星坤工業精密有限公司

MARK	DESCRIPTION	DATE	REVISIONS	UNSPECIFIED TOLERANCES
△ X				L > 63
△ X				16 < L ≤ 63
△ X				4 < L ≤ 16
△ X				L ≤ 4
				ANGULAR ± 5°

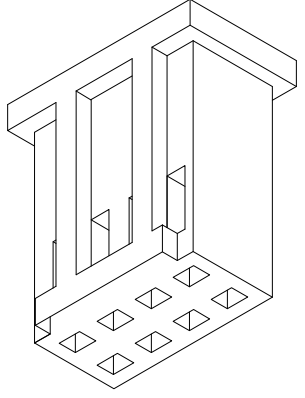
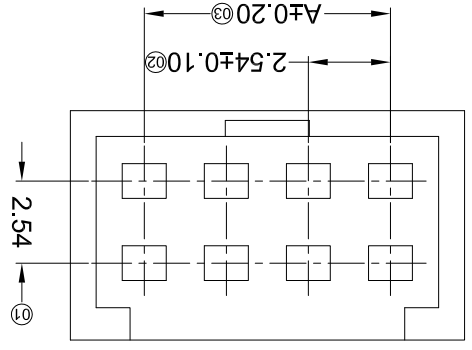
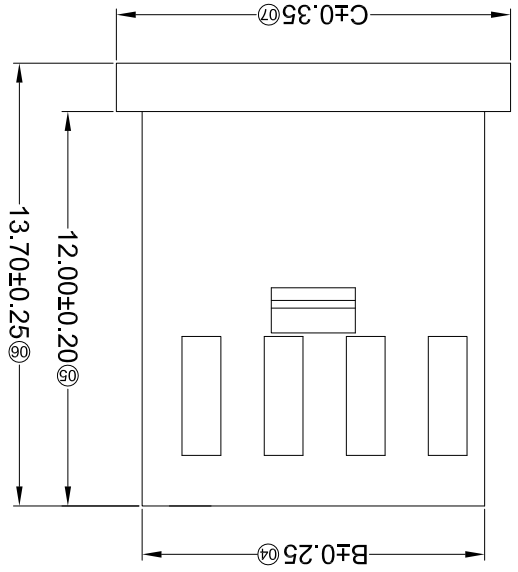
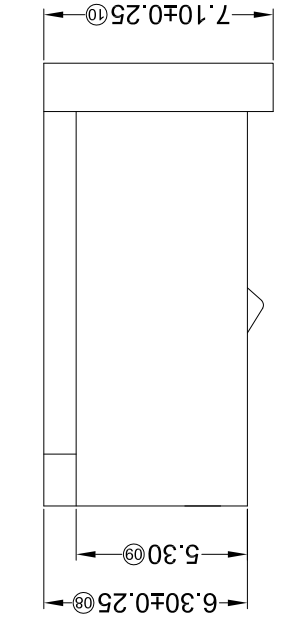
REVISIONS	DATE	REVISIONS	DATE	UNSPECIFIED TOLERANCES
APPROVED		APPROVED		L > 63
REVISED		REVISED		16 < L ≤ 63
				4 < L ≤ 16
				L ≤ 4
				ANGULAR ± 5°

DSND	DATE	SCALE: N/A	MODEL TYPE: X2530H-2*XX-PT
DWN	DATE	VIEW:	PART NO.: 254 mm Crimp Style Connectors
CHKD	DATE	UNIT: mm	DWG NO.:
APPD	DATE	SIZE: A4	WEIGHT: 1.0g
			SHEET: 1/1
			REVISION: A0

PART NO	Material	Suitable XKB Terminal	Suitable XKB Terminal
X2530H-2*XX-PT	PBT UL 94V-0	X2530T	X2530W

Poles	Dimensions(mm)			Poles	Dimensions(mm)		
	A	B	C		A	B	C
2*02	2.54	5.52	7.12	2*13	30.48	33.46	35.06
2*03	5.08	8.06	9.66	2*14	33.02	36.00	37.60
2*04	7.62	10.60	12.20	2*15	35.56	38.54	40.14
2*05	10.16	13.14	14.74	2*16	38.10	41.08	42.68
2*06	12.70	15.68	17.28	2*17	40.64	43.62	45.22
2*07	15.24	18.22	19.82	2*18	43.18	46.16	47.76
2*08	17.78	20.76	22.36	2*19	45.72	48.70	50.30
2*09	20.32	23.30	24.90	2*20	48.26	51.24	52.84
2*10	22.86	25.84	27.44	2*21	50.80	53.78	55.38
2*11	25.40	28.38	29.98	2*22	53.34	56.32	57.92
2*12	27.94	30.92	32.52	2*23	55.88	58.86	60.46
2*13	30.48	33.46	35.06	2*24	58.42	61.40	63.00
2*14	33.02	36.00	37.60	2*25	60.96	63.94	65.54
2*15	35.56	38.54	40.14	2*26	63.50	66.48	68.08
2*16	38.10	41.08	42.68	2*27	66.04	69.02	70.62
2*17	40.64	43.62	45.22	2*28	68.58	71.56	73.16
2*18	43.18	46.16	47.76	2*29	71.12	74.10	75.70
2*19	45.72	48.70	50.30	2*30	73.66	76.64	78.24
2*20	48.26	51.24	52.84	2*31	76.20	79.18	80.78
2*21	50.80	53.78	55.38	2*32	78.74	81.72	83.32
2*22	53.34	56.32	57.92				
2*23	55.88	58.86	60.46				

- Specifications :**
- Voltage rating: 250V AC / DC
 - Current rating: 3A AC / DC
 - Withstanding voltage: 800V AC/minute
 - Temperature range: -25°C~+85°C
 - Insulation resistance: ≥1000MΩ
 - Contact resistance: ≤10mΩ
 - After environmental testing: ≤20mΩ
- Series No.**
- ① X2530 H X-2*XX X-PT XX
 - ② Category: H-HSG
 - ③ Welding Board Angle: Blank-ordinary
 - ④ Row No.-Pin No.: 2*XX-2*02~2*32P
 - ⑤ Plug the Pin & special No.
 - ⑥ Material: PT-PBT 94V-0
 - ⑦ Color: Blank-Natural Color Black



X-ON Electronics

Largest Supplier of Electrical and Electronic Components

Click to view similar products for [Headers & Wire Housings](#) category:

Click to view products by [XKB](#) manufacturer:

Other Similar products are found below :

[95000-104TRLF](#) [10135584-644402LF](#) [DF62W-EP2022PCA](#) [95000-106TRLF](#) [DF62W-2022SCA](#) [DF62W-EP2022PC](#) [2203348](#) [DF62W-2022SC](#) [1084018](#) [1029039](#) [1084017](#) [802-10-012-10-002000](#) [1112640](#) [1112639](#) [891-007-9SS-BST1T](#) [000-34000](#) [0008550134](#) [0009482033](#) [0009507031](#) [57102-F02-18ULF](#) [57102-S06-03LF](#) [57202-S52-04LF](#) [PCN6-15S-2.5E](#) [0039019024](#) [58102-G61-06LF](#) [582553-1](#) [0009485154](#) [0009508121](#) [0022285053](#) [0050291907](#) [018731A](#) [LY20-4P-DT1-P1E-BR](#) [02.125.8002.8](#) [60101931](#) [60598-1 \(Cut Strip\)](#) [M1625-3R/100](#) [61062-3](#) [61082-181009](#) [CSU011177004](#) [636-1427](#) [638009-1](#) [641938-9](#) [641991-4](#) [644168-1](#) [644827-2](#) [647662-1](#) [65039-019ELF](#) [65692-001LF](#) [65781-018](#) [65781-047](#)