

For and on behalf of
XKB INDUSTRIAL PRECISION CO., LIMITED
 香港星坤工業精密有限公司
 REVISIONS (Authorized Signatures)

MARK	DESCRIPTION	DATE	REVISED	APPROVED	UNSPECIFIED TOLERANCES
△ X					± 0.5
△ X					L > 63
△ X					16 < L ≤ 63
					± 0.4
					4 < L ≤ 16
					± 0.2
					L ≤ 4
					ANGULAR ± 5°

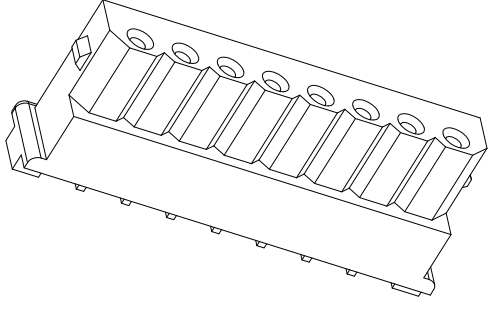
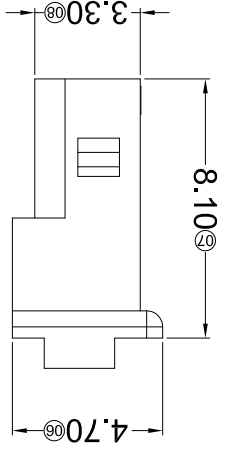
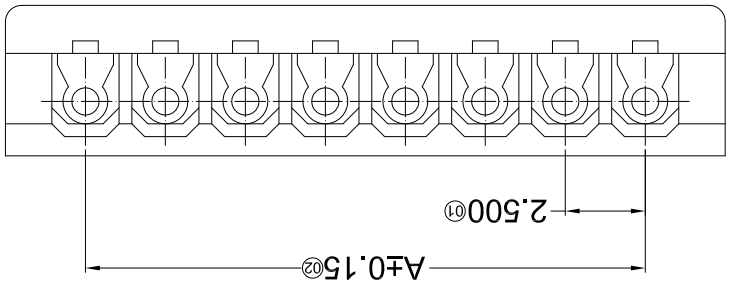
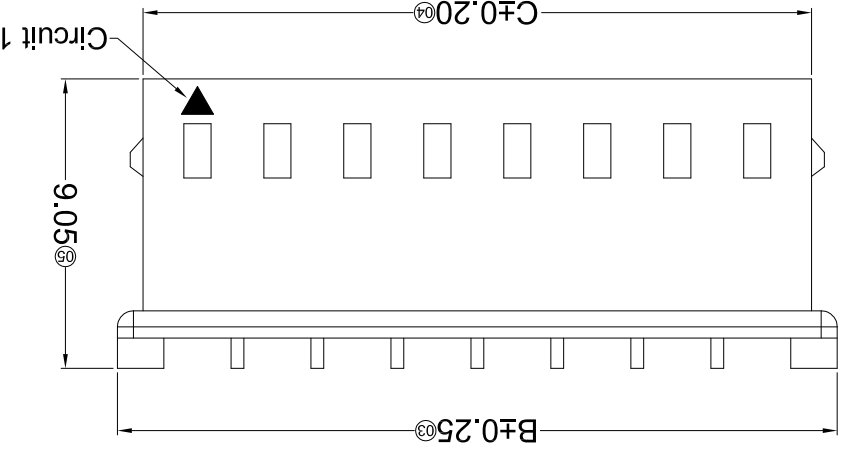
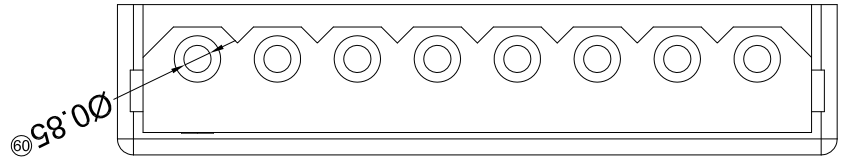
REVISION	SHEET	WEIGHT	1/1	A0
		1.0g		

DATE	SCALE: N/A	MODEL TYPE: X2564H-XX-N0XX	DNSD	DATE

DATE	VIEW:	PART NO.: 2.50mm Crimp Style Connectors	DWN	DATE

DATE	UNIT: mm	DWG NO.:	CHKD	DATE

DATE	SIZE: A4	REVISION	APPD	DATE



Poles	Dimensions (mm)		
	A	B	C
02	2.50	7.50	5.90
03	5.00	10.00	8.40
04	7.50	12.50	10.90
05	10.00	15.00	13.40
06	12.50	17.50	15.90
07	15.00	20.00	18.40
08	17.50	22.50	20.90
09	20.00	25.00	23.40

- ① Series No.
- ② Category: H-HSG
- ③ Apparance type: Blank-Ordinary
- ④ Row No.-Pin No.: XX-02P~16P
- ⑤ Plug the Pin & special No.: Blank-Ordinary
- ⑥ Material: N0-PA66 94V-0
- ⑦ HF-Halogen Free

X2564 H X-XX X-N0 XX
 ① ② ③ ④ ⑤ ⑥ ⑦

- Specifications :
- Voltage rating: 250V AC / DC
- Current rating: 3A AC / DC
- Withstanding voltage: 1000V AC/minute
- Temperature range: -25°C~+85°C
- Insulation resistance: ≥1000MΩ
- Contact resistance: ≤20mΩ
- After environmental testing: ≤30mΩ

PART NO	Material	Suitable XKB Terminal	Suitable XKB Terminal
X2564H-XX-N0HF	PA66 UL 94V-0 Halogen Free	X2564T	X2564W
X2564H-XX-N0XX	PA66 UL 94V-0		

X-ON Electronics

Largest Supplier of Electrical and Electronic Components

Click to view similar products for [Headers & Wire Housings](#) category:

Click to view products by [XKB](#) manufacturer:

Other Similar products are found below :

[95000-104TRLF](#) [10135584-644402LF](#) [DF62W-EP2022PCA](#) [95000-106TRLF](#) [DF62W-2022SCA](#) [DF62W-EP2022PC](#) [2203348](#) [DF62W-2022SC](#) [1084018](#) [1029039](#) [1084017](#) [802-10-012-10-002000](#) [1112640](#) [1112639](#) [891-007-9SS-BST1T](#) [000-34000](#) [0008550134](#) [0009482033](#) [0009507031](#) [57102-F02-18ULF](#) [57102-S06-03LF](#) [57202-S52-04LF](#) [PCN6-15S-2.5E](#) [0039019024](#) [58102-G61-06LF](#) [582553-1](#) [0009485154](#) [0009508121](#) [0022285053](#) [0050291907](#) [018731A](#) [LY20-4P-DT1-P1E-BR](#) [02.125.8002.8](#) [60101931](#) [60598-1 \(Cut Strip\)](#) [M1625-3R/100](#) [61062-3](#) [61082-181009](#) [CSU011177004](#) [636-1427](#) [638009-1](#) [641938-9](#) [641991-4](#) [644168-1](#) [644827-2](#) [647662-1](#) [65039-019ELF](#) [65692-001LF](#) [65781-018](#) [65781-047](#)