

For and on behalf of  
**KXB INDUSTRIAL PRECISION CO., LIMITED**  
 香港星坤工業精密有限公司  
 REVISIONS (Authorized Signature(s))

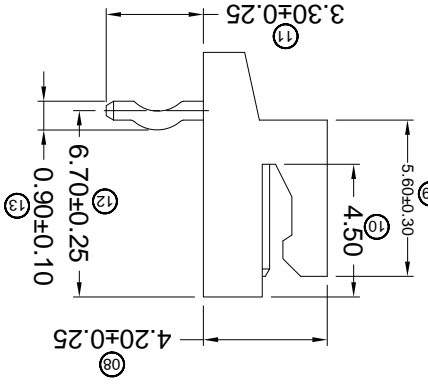
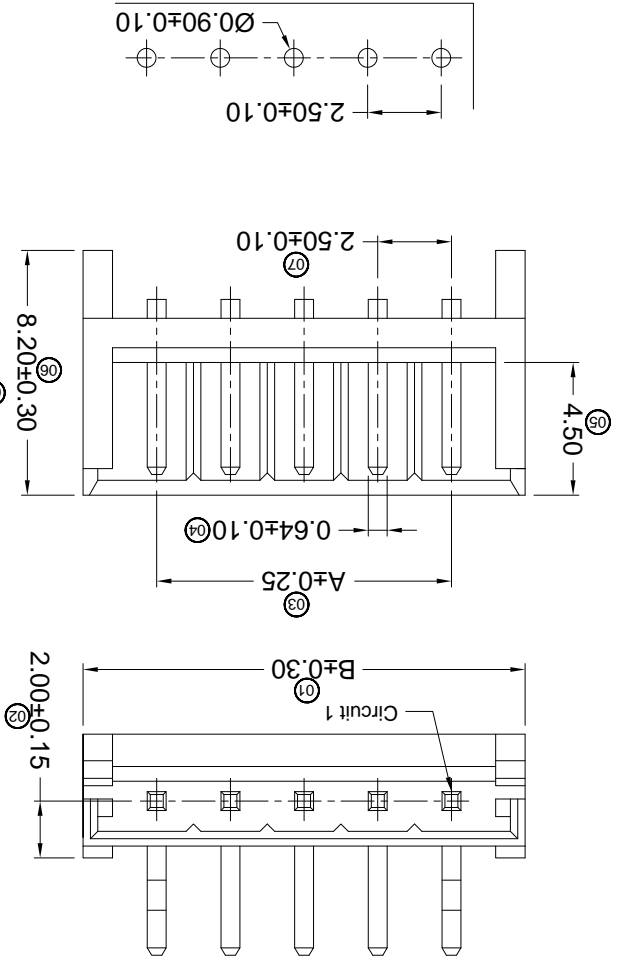
MARK	DESCRIPTION	DATE	REVISED	APPROVED	UNSPECIFIED TOLERANCES
△ X					L > 63 L < 63
△ X					16 > L ≤ 63 ± 0.4
△ X					4 < L ≤ 16 ± 0.3
					L ≤ 4 ± 0.2
					ANGULAR ± 5°

REVISION	SHEET	WEIGHT	KXB INDUSTRIAL PRECISION CO., LIMITED			
A0	1/1	1.0g				

DSND	DATE	SCALE: N/A	MODEL TYPE: X2581WR-XX-N0SN
DWN	DATE <td>VIEW: </td> <td>PART NO.: 2.50 mm Crimp Style connectors</td>	VIEW:	PART NO.: 2.50 mm Crimp Style connectors
CHKD	DATE <td>UNIT: mm <td>DWG NO.:</td> </td>	UNIT: mm <td>DWG NO.:</td>	DWG NO.:
APPD	DATE <td>SIZE: A4 <td></td> </td>	SIZE: A4 <td></td>	

PART NO	Material	Material(Pin)	Finish(Pin)	Mates With XKB Housing
X2581WR-XX-N0SN	Nylon 66 UL 94V-0	Brass	Tin-Plated	X2581H

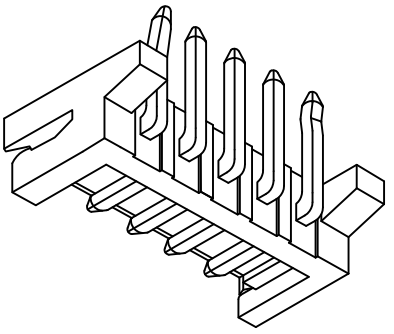
**Recommend PCB Layout**



- ① Series No. X2581 W R X-XX X-N0 SN XX  
 ② Category: W-Water  
 ③ Welding Board Angle: V-180°; R-90°  
 ④ Welding Way: Blank-DIP; S-SMT  
 ⑤ Row No.-Pin No.: XX-Single Row; 2\*XX-Double Row  
 ⑥ Plug the Pin & Special No.:  
 ⑦ Material: N0-PA66 94V-0  
 ⑧ Plating Category: G\*\*-Gold Plated Contact  
 V\*\*-All Gold-Plated  
 01-Gold Flash 02-2u" 03-3u"  
 05-5u" 10-10u" 15-15u"  
 SN-Bright Tin Plating (70u")  
 SN1-Bright Tin Plating (120u" Min).  
 0-No Plating Material  
 SW-Fog Tin Plating  
 HS-Hight temperature Tin  
 ◎ Color: Blank-Natural Color

Poles	A	B
02	2.50	7.50
03	5.00	10.00
04	7.50	12.50
05	10.00	15.00
06	12.50	17.50
07	15.00	20.00
08	17.50	22.50
09	20.00	25.00
10	22.50	27.50
11	25.00	30.00
12	27.50	32.50
13	30.00	35.00
14	32.50	37.50
15	35.00	40.00

- Specifications:**
- Voltage rating: 250V AC / DC
  - Current rating: 3A AC / DC
  - Withstanding voltage: 800V AC/minute
  - Temperature range: -25°C~+85°C
  - Insulation resistance: ≥1000MΩ
  - Contact resistance: ≤10mΩ
  - After environmental testing: ≤20mΩ



## X-ON Electronics

Largest Supplier of Electrical and Electronic Components

*Click to view similar products for [Headers & Wire Housings](#) category:*

*Click to view products by [XKB](#) manufacturer:*

Other Similar products are found below :

[95000-104TRLF](#) [10135584-644402LF](#) [DF62W-EP2022PCA](#) [95000-106TRLF](#) [DF62W-2022SCA](#) [DF62W-EP2022PC](#) [2203348](#) [DF62W-2022SC](#) [1084018](#) [1029039](#) [1084017](#) [802-10-012-10-002000](#) [1112640](#) [1112639](#) [891-007-9SS-BST1T](#) [000-34000](#) [0008550134](#) [0009482033](#) [0009507031](#) [57102-F02-18ULF](#) [57102-S06-03LF](#) [57202-S52-04LF](#) [PCN6-15S-2.5E](#) [0039019024](#) [58102-G61-06LF](#) [582553-1](#) [0009485154](#) [0009508121](#) [0022285053](#) [0050291907](#) [018731A](#) [LY20-4P-DT1-P1E-BR](#) [02.125.8002.8](#) [60101931](#) [60598-1 \(Cut Strip\)](#) [M1625-3R/100](#) [61062-3](#) [61082-181009](#) [CSU011177004](#) [636-1427](#) [638009-1](#) [641938-9](#) [641991-4](#) [644168-1](#) [644827-2](#) [647662-1](#) [65039-019ELF](#) [65692-001LF](#) [65781-018](#) [65781-047](#)