

For and on behalf of
KXB INDUSTRIAL PRECISION CO., LIMITED
 香港星坤工業精密有限公司

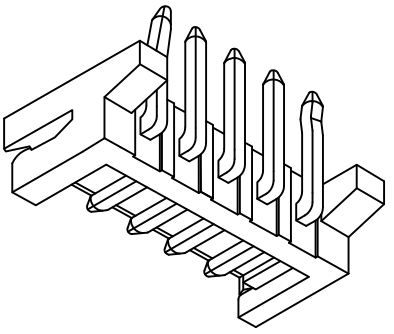
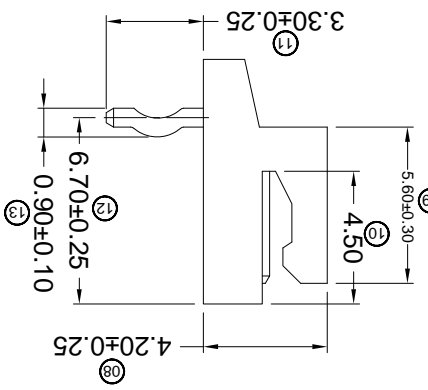
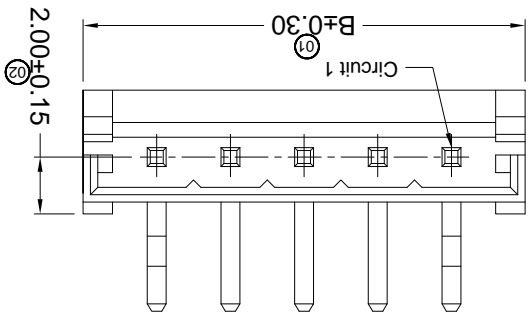
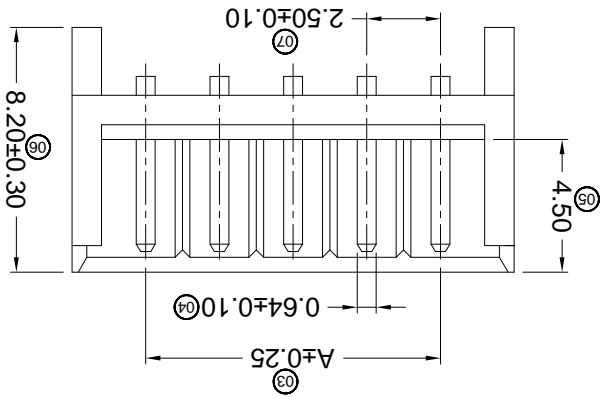
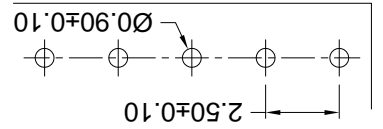
Revisions Signatures(s)

MARK	DESCRIPTION	DATE	REVISED	APPROVED	UNSPECIFIED TOLERANCES
△ X					L > 63 L < 63
△ X					16 > L ≤ 63 ± 0.4
△ X					4 < L ≤ 16 ± 0.3
					L ≤ 4 ± 0.2
					ANGULAR ± 5°

REVISION	SHEET	WEIGHT	KXB INDUSTRIAL PRECISION CO., LIMITED			
A0	1/1	1.0g	SIZE: A4	DATE	DATE	DATE
			UNIT: mm	DATE	DATE	DATE
			VIEW:	DATE	DATE	DATE
			SCALE: N/A	DATE	DATE	DATE
			PART NO.: X2581WR-XX-N0SN			
			MODEL TYPE: X2581WR-XX-N0SN			

PART NO	Material	Material(Pin)	Finish(Pin)	Mates With KXB Housing
X2581WR-XX-N0SN	Nylon 66 UL 94V-0	Brass	Tin-Plated	X2581H

Recommend PCB Layout



- ① Series No. X2581 W R X-XX X-N0 SN XX
 ② Category: W-Wafer
 ③ Welding Board Angle: V-180°; R-90°
 ④ Welding Way: Blank-DIP; S-SMT
 ⑤ Row No.-Pin No.: XX-Single Row; 2*XX-Double Row
 ⑥ Plug the Pin & Special No.:
 ⑦ Material: N0-PA66 94V-0
 ⑧ Plating Category: G**-Gold Plated Contact
 V**-All Gold-Plated
 01-Gold Flash 02-2u" 03-3u"
 05-5u" 10-10u" 15-15u"
 SN-Bright Tin Plating (70u")
 SN1-Bright Tin Plating (120u" Min).
 0-No Plating Material
 SW-Fog Tin Plating
 HS-Hight temperature Tin
 ◎ Color: Blank-Natural Color

Poles	Dimensions (mm)	A	B
02	2.50	7.50	
03	5.00	12.50	
04	7.50	15.00	
05	10.00	17.50	
06	12.50	20.00	
07	15.00	22.50	
08	17.50	25.00	
09	20.00	27.50	
10	22.50	30.00	
11	25.00	32.50	
12	27.50	35.00	
13	30.00	37.50	
14	32.50	40.00	
15	35.00		

- Specifications:
- Voltage rating: 250V AC / DC
 - Current rating: 3A AC / DC
 - Withstanding voltage: 800V AC/minute
 - Temperature range: -25°C~+85°C
 - Insulation resistance: ≥1000MΩ
 - Contact resistance: ≤10mΩ
 - After environmental testing: ≤20mΩ

X-ON Electronics

Largest Supplier of Electrical and Electronic Components

Click to view similar products for [Headers & Wire Housings](#) category:

Click to view products by [XKB](#) manufacturer:

Other Similar products are found below :

[95000-104TRLF](#) [10135584-644402LF](#) [DF62W-EP2022PCA](#) [95000-106TRLF](#) [DF62W-2022SCA](#) [DF62W-EP2022PC](#) [2203348](#) [DF62W-2022SC](#) [1084018](#) [1029039](#) [1084017](#) [802-10-012-10-002000](#) [1112640](#) [1112639](#) [891-007-9SS-BST1T](#) [000-34000](#) [0008550134](#) [0009482033](#) [0009507031](#) [57102-F02-18ULF](#) [57102-S06-03LF](#) [57202-S52-04LF](#) [PCN6-15S-2.5E](#) [0039019024](#) [58102-G61-06LF](#) [582553-1](#) [0009485154](#) [0009508121](#) [0022285053](#) [0050291907](#) [018731A](#) [LY20-4P-DT1-P1E-BR](#) [02.125.8002.8](#) [60101931](#) [60598-1 \(Cut Strip\)](#) [M1625-3R/100](#) [61062-3](#) [61082-181009](#) [CSU011177004](#) [636-1427](#) [638009-1](#) [641938-9](#) [641991-4](#) [644168-1](#) [644827-2](#) [647662-1](#) [65039-019ELF](#) [65692-001LF](#) [65781-018](#) [65781-047](#)