

For and on behalf of
KXB INDUSTRIAL PRECISION CO., LIMITED
 香港星坤工業精密有限公司

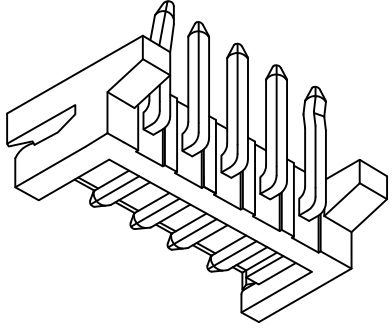
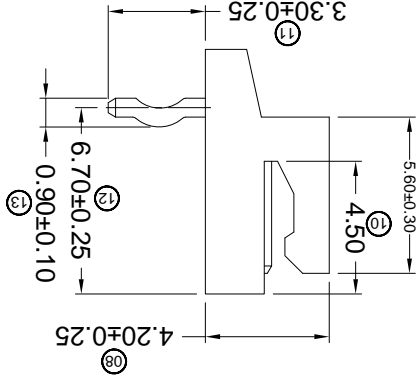
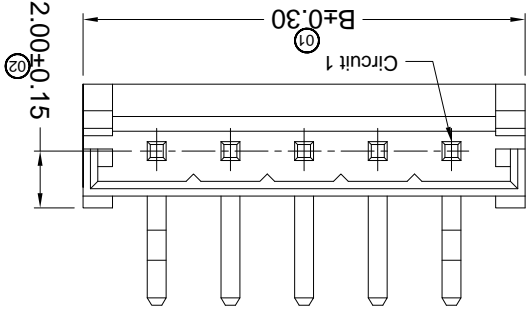
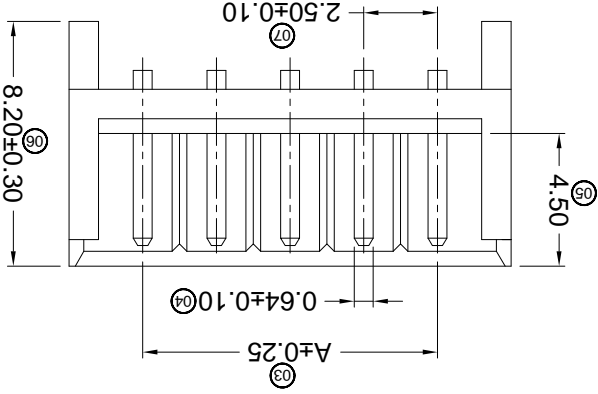
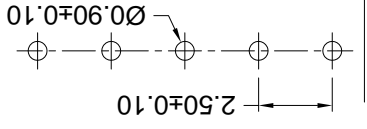
Revisions Signatures(s)

MARK	DESCRIPTION	DATE	REVISED	APPROVED	UNSPECIFIED TOLERANCES
△X					L > 63 L < 63
△X					16 > L ≤ 63 ± 0.4
△X					4 < L ≤ 16 ± 0.3
					L ≤ 4 ± 0.2
					ANGULAR ± 5°

REVISION	SHEET	WEIGHT	KXB INDUSTRIAL PRECISION CO., LIMITED			
A0	1/1	1.0g				

DSND	DATE	SCALE: N/A	MODEL TYPE: X2581WR-XX-N0SN
DWN	DATE <td>VIEW: </td> <td>PART NO.: 2.50 mm Crimp Style connectors</td>	VIEW:	PART NO.: 2.50 mm Crimp Style connectors
CHKD	DATE <td>UNIT: mm <td>DWG NO.:</td> </td>	UNIT: mm <td>DWG NO.:</td>	DWG NO.:
APPD	DATE <td>SIZE: A4 <td></td> </td>	SIZE: A4 <td></td>	

Recommend PCB Layout



- ① Series No. X2581 W R X-XX X-N0 SN XX
 ② Category: W-Water
 ③ Welding Board Angle: V-180°; R-90°
 ④ Welding Way: Blank-DIP; S-SMT
 ⑤ Row No.-Pin No.: XX-Single Row; 2*XX-Double Row
 ⑥ Plug the Pin & Special No.:
 ⑦ Material: N0-PA66 94V-0
 ⑧ Plating Category: G**-Gold Plated Contact
 V**-All Gold-Plated
 01-Gold Flash 02-2u" 03-3u"
 05-5u" 10-10u" 15-15u"
 SN-Bright Tin Plating (70u")
 SN1-Bright Tin Plating (120u" Min).
 0-No Plating Material
 SW-Fog Tin Plating
 HS-Hight temperature Tin
 ◎ Color: Blank-Natural Color

Poles	Dimensions (mm)	
	A	B
02	2.50	7.50
03	5.00	10.00
04	7.50	12.50
05	10.00	15.00
06	12.50	17.50
07	15.00	20.00
08	17.50	22.50
09	20.00	25.00
10	22.50	27.50
11	25.00	30.00
12	27.50	32.50
13	30.00	35.00
14	32.50	37.50
15	35.00	40.00

PART NO	Material	Material(Pin)	Finish(Pin)	Mates With KXB Housing
X2581WR-XX-N0SN	Nylon 66 UL 94V-0	Brass	Tin-Plated	X2581H

Specifications:

- Voltage rating: 250V AC / DC
- Current rating: 3A AC / DC
- Withstanding voltage: 800V AC/minute
- Temperature range: -25°C~+85°C
- Insulation resistance: ≥1000MΩ
- Contact resistance: ≤10mΩ
- After environmental testing: ≤20mΩ

X-ON Electronics

Largest Supplier of Electrical and Electronic Components

Click to view similar products for [Headers & Wire Housings](#) category:

Click to view products by [XKB](#) manufacturer:

Other Similar products are found below :

[95000-104TRLF](#) [10135584-644402LF](#) [DF62W-EP2022PCA](#) [95000-106TRLF](#) [DF62W-2022SCA](#) [DF62W-EP2022PC](#) [2203348](#) [DF62W-2022SC](#) [1084018](#) [1029039](#) [1084017](#) [802-10-012-10-002000](#) [1112640](#) [1112639](#) [891-007-9SS-BST1T](#) [000-34000](#) [0008550134](#) [0009482033](#) [0009507031](#) [57102-F02-18ULF](#) [57102-S06-03LF](#) [57202-S52-04LF](#) [PCN6-15S-2.5E](#) [0039019024](#) [58102-G61-06LF](#) [582553-1](#) [0009485154](#) [0009508121](#) [0022285053](#) [0050291907](#) [018731A](#) [LY20-4P-DT1-P1E-BR](#) [02.125.8002.8](#) [60101931](#) [60598-1 \(Cut Strip\)](#) [M1625-3R/100](#) [61062-3](#) [61082-181009](#) [CSU011177004](#) [636-1427](#) [638009-1](#) [641938-9](#) [641991-4](#) [644168-1](#) [644827-2](#) [647662-1](#) [65039-019ELF](#) [65692-001LF](#) [65781-018](#) [65781-047](#)