

For and on behalf of  
**KKB INDUSTRIAL PRECISION CO., LIMITED**  
 香港星坤工業精密有限公司  
 REVISIONS - *(Unauthorized Signatures)*

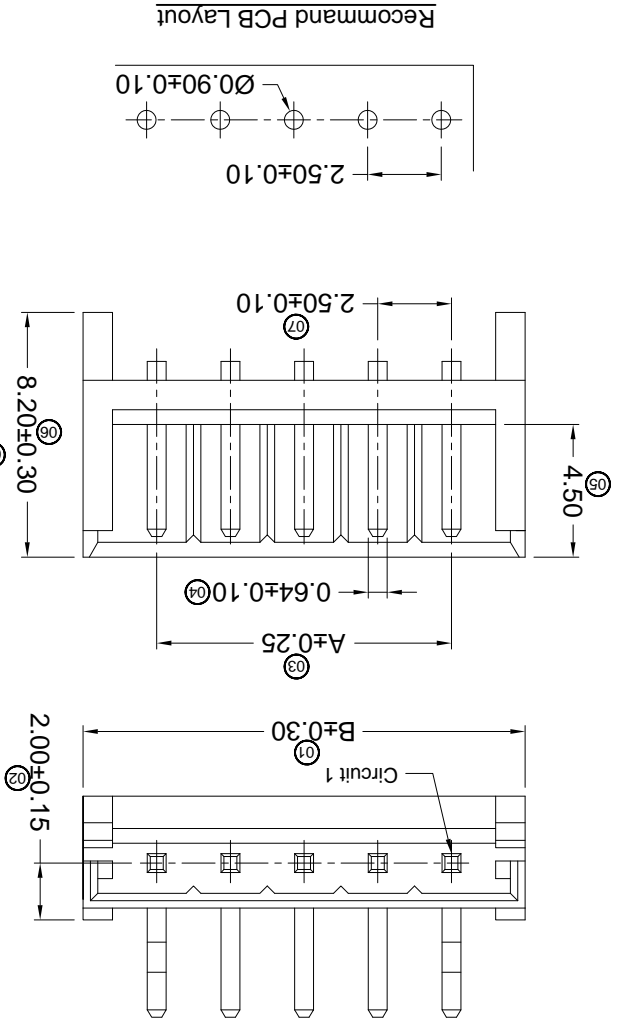
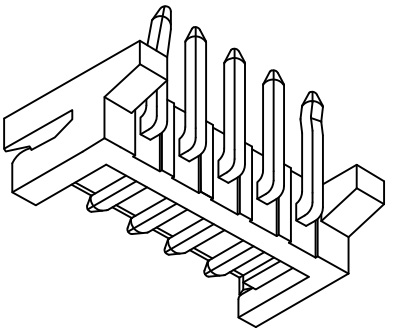
MARK	DESCRIPTION	DATE	REVISED	APPROVED	UNSPECIFIED TOLERANCES
△ X					L > 63 L < 63
△ X					16 > L ≤ 63 ± 0.4
△ X					4 < L ≤ 16 ± 0.3
					L ≤ 4 ± 0.2
					ANGULAR ± 5°

DSND	DATE	SCALE: N/A	MODEL TYPE: X2581WR-XX-N0SN
DWN	DATE	VIEW:	PART NO.: X2581WR-XX-N0SN
CHKD	DATE	UNIT: mm	DWG NO.:
APPD	DATE	SIZE: A4	REVISION
			WEIGHT 1.0g
			SHEET 1/1
			REVISION A0

PART NO	Material	Material(Pin)	Finish(Pin)	Mates With KKB Housing
X2581WR-XX-N0SN	Nylon 66 UL 94V-0	Brass	Tin-Plated	X2581H

Poles	Dimensions (mm)	A	B
02	2.50	7.50	
03	5.00	10.00	
04	7.50	12.50	
05	10.00	15.00	
06	12.50	17.50	
07	15.00	20.00	
08	17.50	22.50	
09	20.00	25.00	
10	22.50	27.50	
11	25.00	30.00	
12	27.50	32.50	
13	30.00	35.00	
14	32.50	37.50	
15	35.00	40.00	

- ① Series No. X2581 W R X - XX X-N0 SN XX
- ② Category: W-Wafer
- ③ Welding Board Angle: V-180° ; R-90°
- ④ Welding Way: Blank-DIP ; S-SMT
- ⑤ Row No.-Pin No.: XX-Single Row ; 2\*XX-Double Row
- ⑥ Plug the Pin & Special No.:
- ⑦ Material: N0-PA66 94V-0
- ⑧ Plating Category: G\*\*-Gold Plated Contact
- V\*\*-All Gold-Plated
- 01-Gold Flash 02-2u" 03-3u"
- 05-5u" 10-10u" 15-15u"
- SN-Bright Tin Plating (70u")
- SN1-Bright Tin Plating (120u" Min).
- 0-No Plating Material
- SW- Fog Tin Plating
- HS-Hight temperature Tin
- ⑨ Color : Blank-Natural Color



Recommend PCB Layout

- Specifications :
- Voltage rating: 250V AC / DC
  - Current rating: 3A AC / DC
  - Withstanding voltage: 800V AC/minute
  - Temperature range: -25°C~+85°C
  - Insulation resistance: ≥1000MΩ
  - Contact resistance: ≤10mΩ
  - After environmental testing: ≤20mΩ

## X-ON Electronics

Largest Supplier of Electrical and Electronic Components

*Click to view similar products for [Headers & Wire Housings](#) category:*

*Click to view products by [XKB](#) manufacturer:*

Other Similar products are found below :

[95000-104TRLF](#) [10135584-644402LF](#) [DF62W-EP2022PCA](#) [95000-106TRLF](#) [DF62W-2022SCA](#) [DF62W-EP2022PC](#) [2203348](#) [DF62W-2022SC](#) [1084018](#) [1029039](#) [1084017](#) [802-10-012-10-002000](#) [1112640](#) [1112639](#) [891-007-9SS-BST1T](#) [000-34000](#) [0008550134](#) [0009482033](#) [0009507031](#) [57102-F02-18ULF](#) [57102-S06-03LF](#) [57202-S52-04LF](#) [PCN6-15S-2.5E](#) [0039019024](#) [58102-G61-06LF](#) [582553-1](#) [0009485154](#) [0009508121](#) [0022285053](#) [0050291907](#) [018731A](#) [LY20-4P-DT1-P1E-BR](#) [02.125.8002.8](#) [60101931](#) [60598-1 \(Cut Strip\)](#) [M1625-3R/100](#) [61062-3](#) [61082-181009](#) [CSU011177004](#) [636-1427](#) [638009-1](#) [641938-9](#) [641991-4](#) [644168-1](#) [644827-2](#) [647662-1](#) [65039-019ELF](#) [65692-001LF](#) [65781-018](#) [65781-047](#)