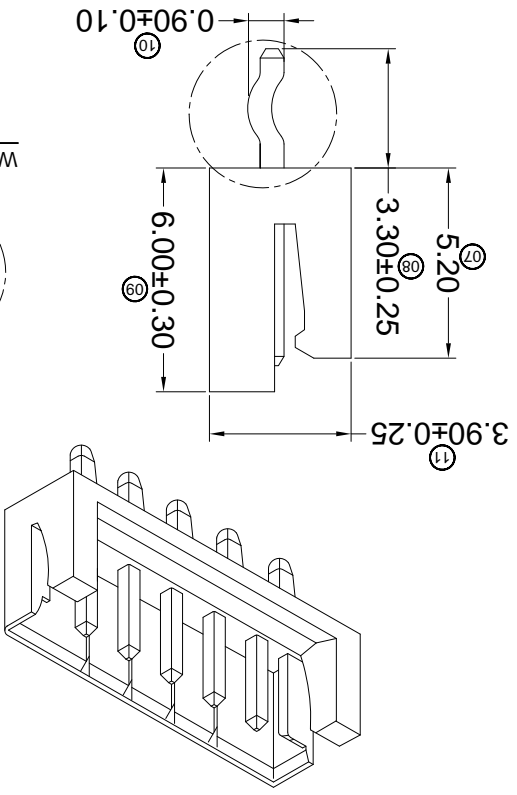
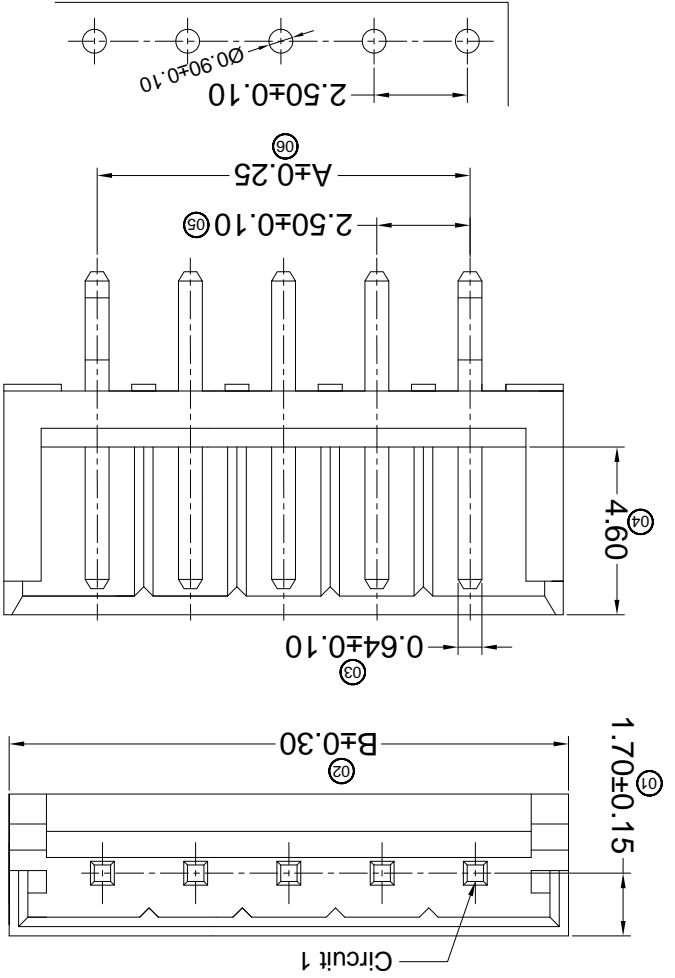


REVISIONS		APPROVED		REVISED		DATE		DESCRIPTION		MARK	
UNSPECIFIED TOLERANCES		L > 63		16 < L ≤ 63		4 < L ≤ 16		L ≤ 4		± 0.2	
± 0.5		± 0.4		± 0.3		± 0.2		ANGULAR		± 5°	

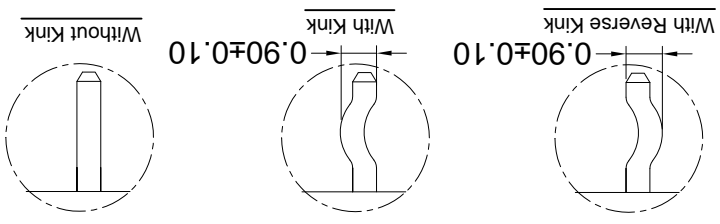
X2581WV-XXX-N0SN		Nylon 66 UL 94V-0		Brass		Tin-Plated		Mates With XKB Housing		PART NO	
X2581H										X2581WV-XXX-N0SN	

Recommend PCB Layout



- ① Series No.
- ② Category: W-Water
- ③ Welding Board Angle: V-180°; R-90°
- ④ Welding Way: Blank-DIP: S-SMT
- ⑤ Row No.-Pin No.: XX-Single Row; 2*XX-Double Row
- ⑥ Plug the Pin & Special No.: Blank-With Kink
- ⑦ A-Without Kink; B-With Reverse Kink
- ⑧ Material: NO -PA66 94V-0
- ⑨ Plating Category: G**-Gold Plated Contact
- ⑩ V**- All Gold-Plated
- ⑪ 01-Gold Flash 02-2u" 03-3u"
- ⑫ 05-5u" 10-10u" 15-15u"
- ⑬ SN-Bright Tin Plating (70u")
- ⑭ SN1-Bright Tin Plating (120u" Min)
- ⑮ 0-No Plating Material
- ⑯ SW- Fog Tin Plating
- ⑰ HS-Hight temperature Tin
- ⑱ Color: Blank-Natural Color

Poles		A		B	
Dimensions (mm)		2.50		7.50	
		5.00		10.00	
		7.50		12.50	
		10.00		15.00	
		12.50		17.50	
		15.00		20.00	
		17.50		22.50	
		20.00		25.00	
		22.50		27.50	
		25.00		30.00	
		27.50		32.50	
		30.00		35.00	
		32.50		37.50	
		35.00		40.00	



- Specifications:
- Voltage rating: 250V AC / DC
 - Current rating: 3A AC / DC
 - Withstanding voltage: 800V AC/minute
 - Temperature range: -25°C~+85°C
 - Insulation resistance: ≥1000MΩ
 - Contact resistance: ≤10mΩ
 - After environmental testing: ≤20mΩ

X2581WV-XXX-N0SN		SCALE: N/A		DATE		DMSD		DATE		SCALE: N/A	
PART NO.:		VIEW:		DATE		DWN		DATE		VIEW:	
2.50 mm Crimp Style connectors		UNIT: mm		DATE		CHKD		DATE		UNIT: mm	
DWG NO.:		SIZE: A4		DATE		APPD		DATE		SIZE: A4	

MODEL TYPE:		WEIGHT		SHEET		REVISION	
X2581WV-XXX-N0SN		1.0g		1/1		A0	

For and on behalf of
XKB INDUSTRIAL PRECISION CO., LIMITED
 香港星坤工業精密有限公司
 Authorized Signatures(s)

X-ON Electronics

Largest Supplier of Electrical and Electronic Components

Click to view similar products for [Headers & Wire Housings](#) category:

Click to view products by [XKB](#) manufacturer:

Other Similar products are found below :

[95000-104TRLF](#) [10135584-644402LF](#) [DF62W-EP2022PCA](#) [95000-106TRLF](#) [DF62W-2022SCA](#) [DF62W-EP2022PC](#) [2203348](#) [DF62W-2022SC](#) [1084018](#) [1029039](#) [1084017](#) [802-10-012-10-002000](#) [1112640](#) [1112639](#) [891-007-9SS-BST1T](#) [000-34000](#) [0008550134](#) [0009482033](#) [0009507031](#) [57102-F02-18ULF](#) [57102-S06-03LF](#) [57202-S52-04LF](#) [PCN6-15S-2.5E](#) [0039019024](#) [58102-G61-06LF](#) [582553-1](#) [0009485154](#) [0009508121](#) [0022285053](#) [0050291907](#) [018731A](#) [LY20-4P-DT1-P1E-BR](#) [02.125.8002.8](#) [60101931](#) [60598-1 \(Cut Strip\)](#) [M1625-3R/100](#) [61062-3](#) [61082-181009](#) [CSU011177004](#) [636-1427](#) [638009-1](#) [641938-9](#) [641991-4](#) [644168-1](#) [644827-2](#) [647662-1](#) [65039-019ELF](#) [65692-001LF](#) [65781-018](#) [65781-047](#)